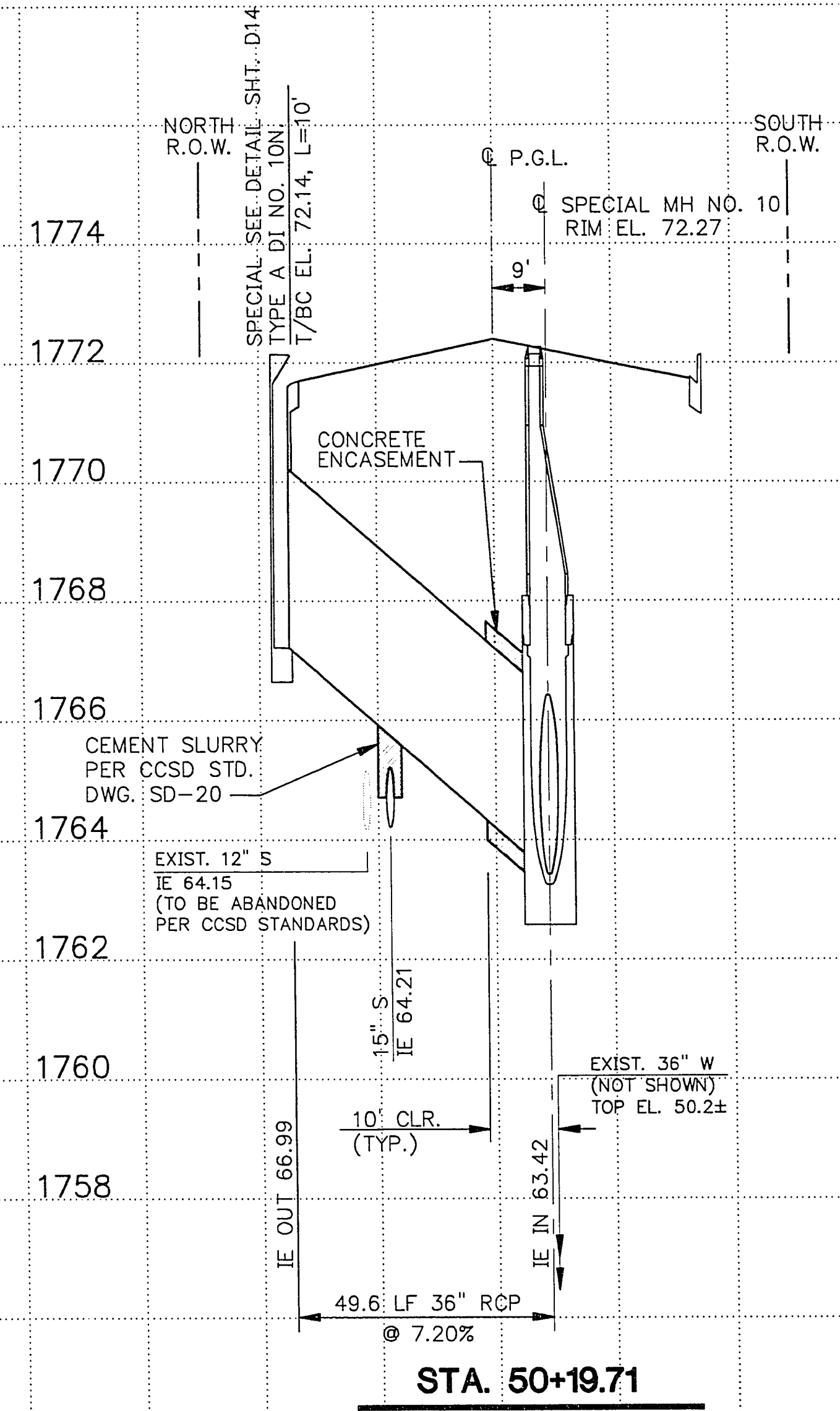
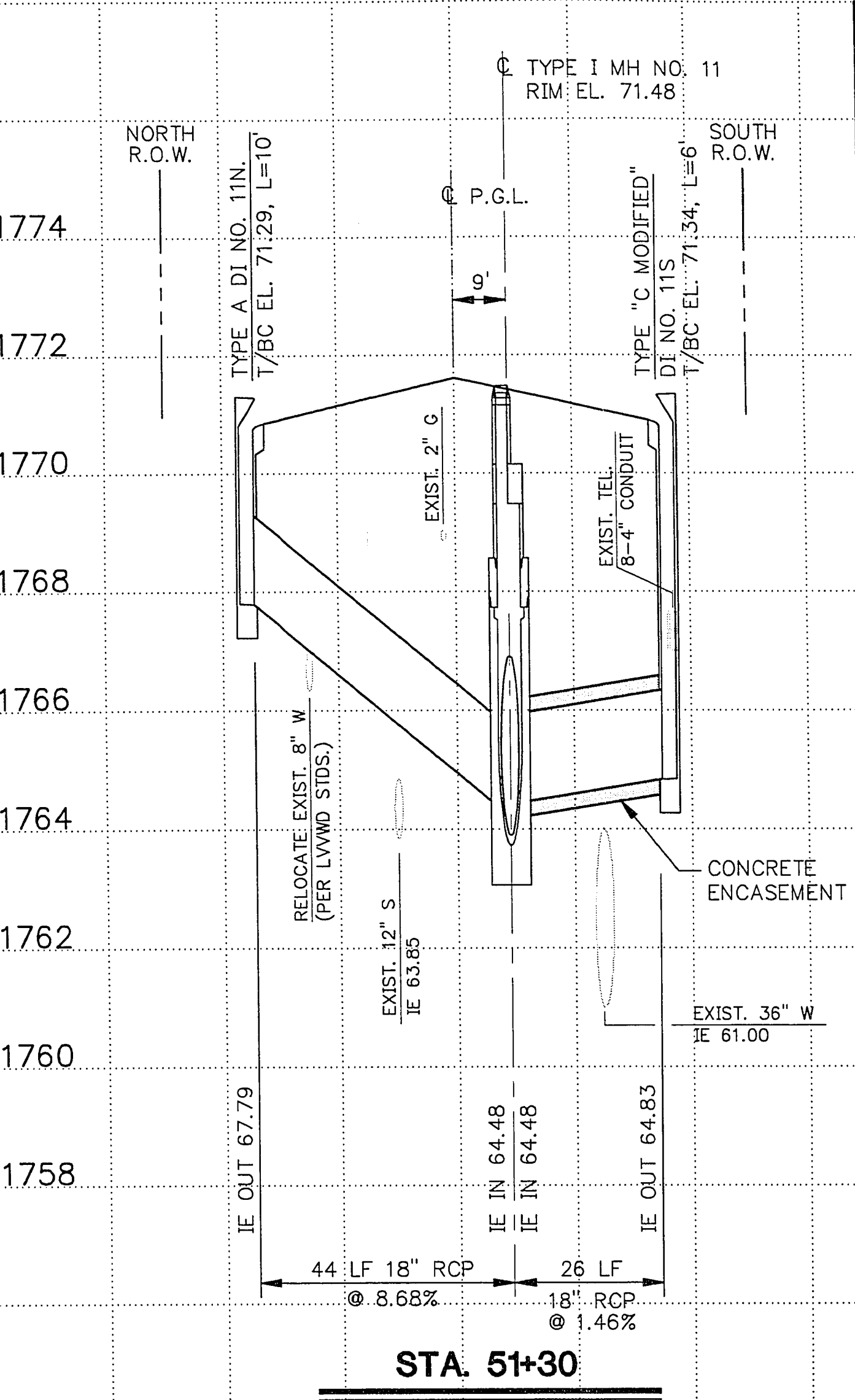


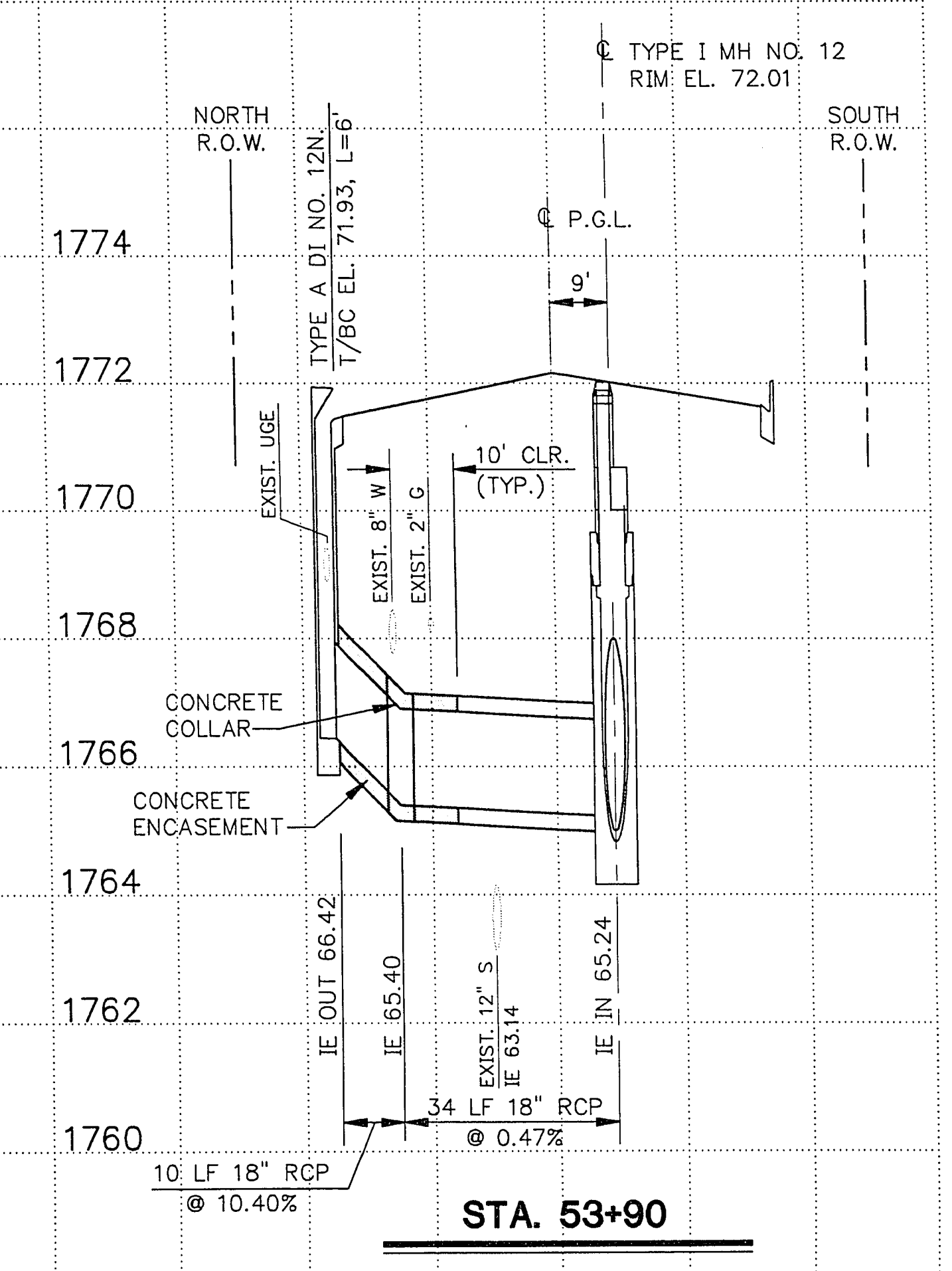
STA. 47+00



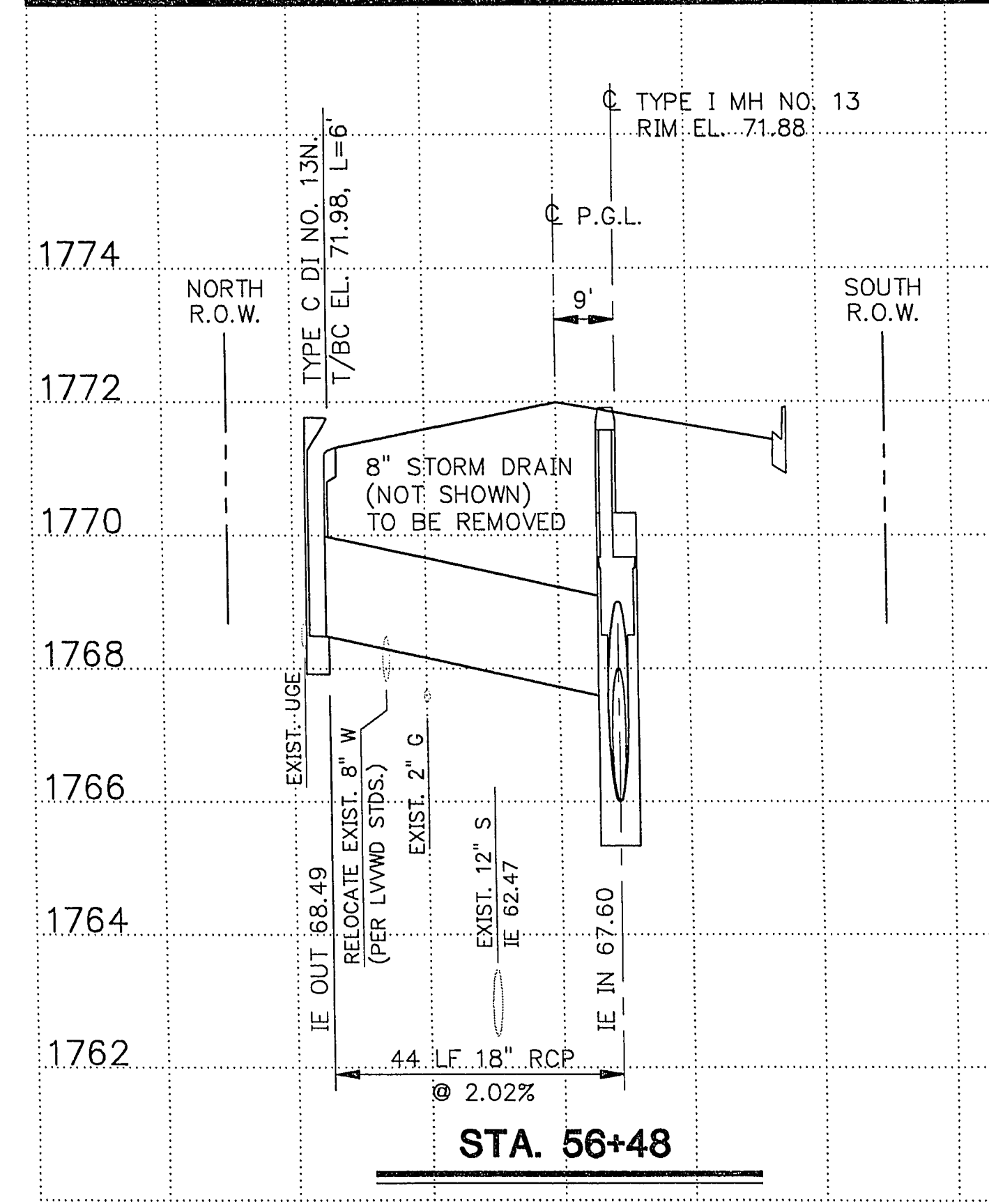
STA. 50+19.71



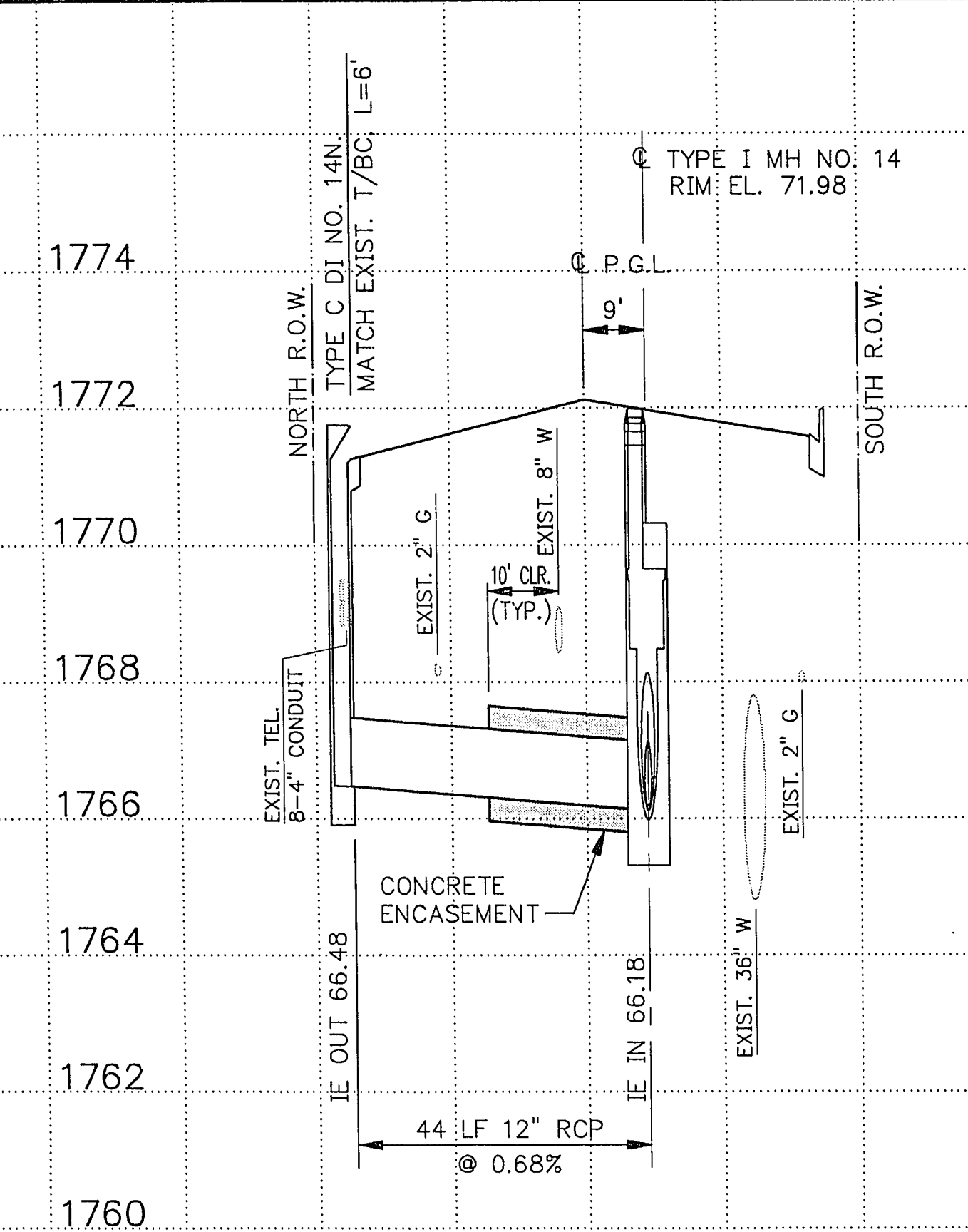
STA. 51+30



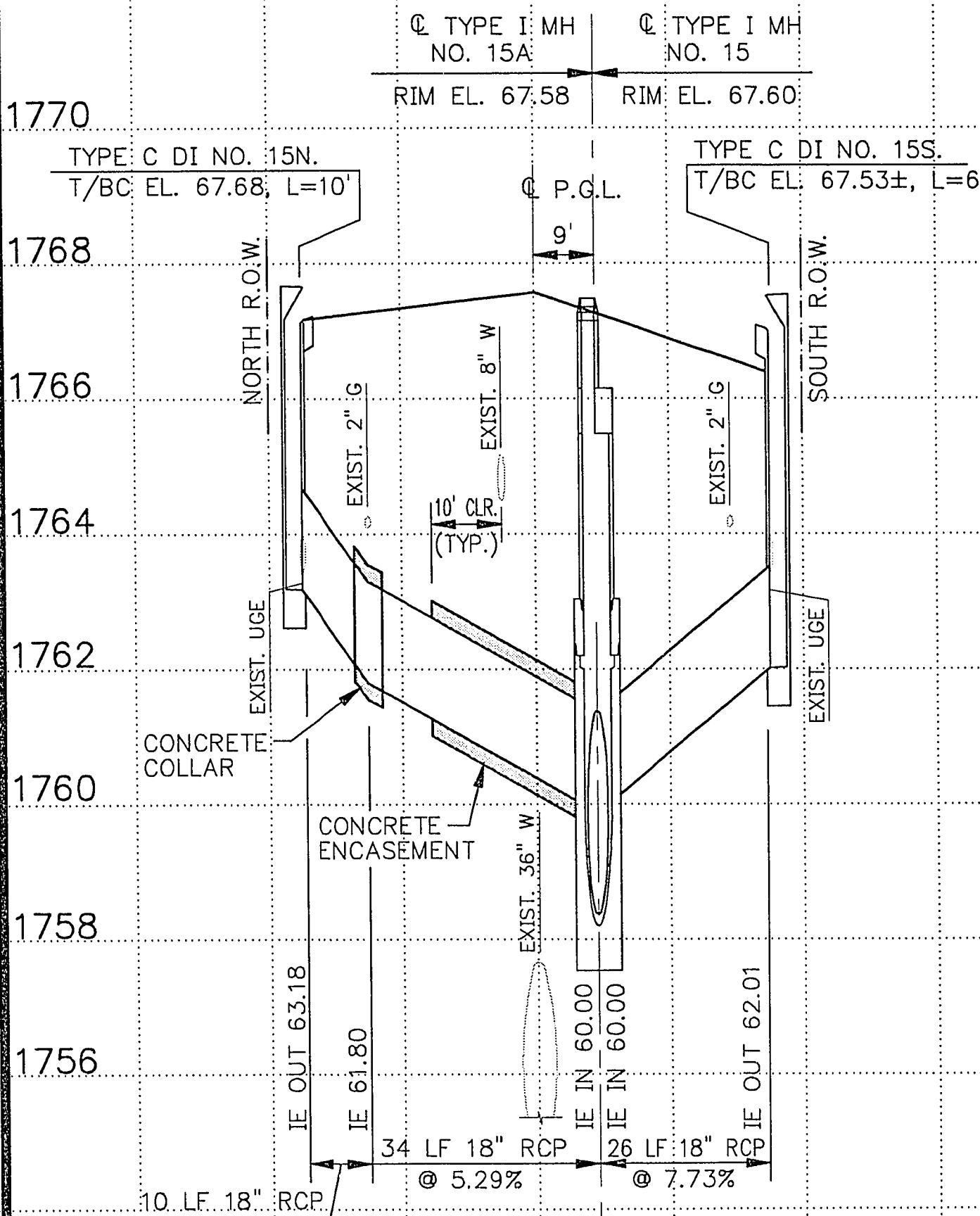
STA. 53+90



STA. 56+48

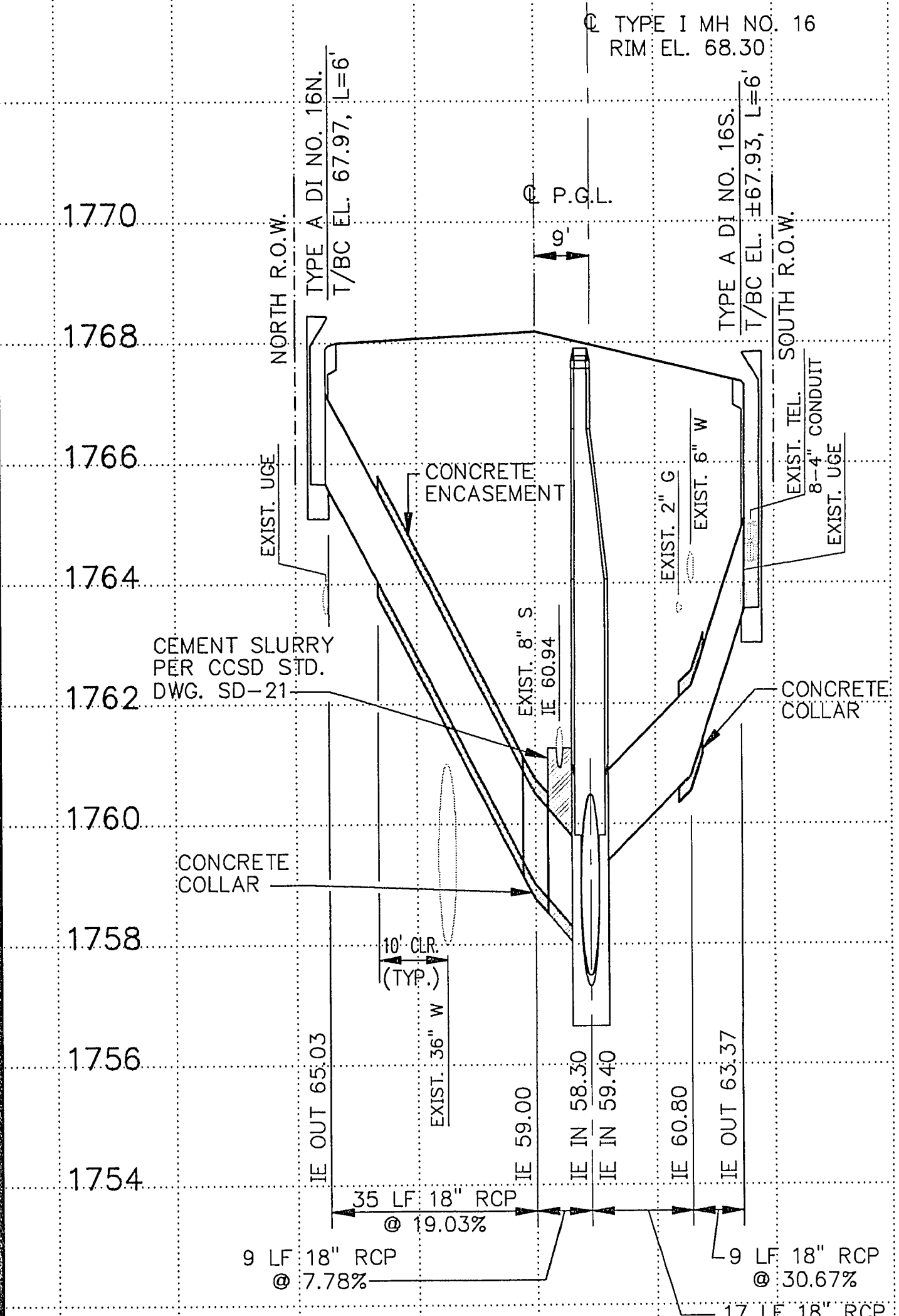


STA. 57+95



STA. 70+57

STA. 69+94



STA. 72+94

NOTE: SEE SHEETS D7 THRU D11 FOR STORM DRAIN PLAN AND PROFILE.

DATE	
REVISIONS	
DESIGNED BY: JP/JPRS	SCALE: HORIZ. 1"=20'
APPROVED BY: JKS	VERT. 1"=2'
PROJECT NO. 43007	DATE: JUNE 25, 1993
URS CONSULTANTS, INC. Las Vegas, Nevada	
DEPARTMENT OF PUBLIC WORKS	
WASHINGTON AVENUE ROADWAY PROJECT	
STORM DRAIN LATERAL PROFILES	
DRAWING NO. D 107-0000	
SHEET 13	

URS/REV-D13.dwg/6-25-93/KPC