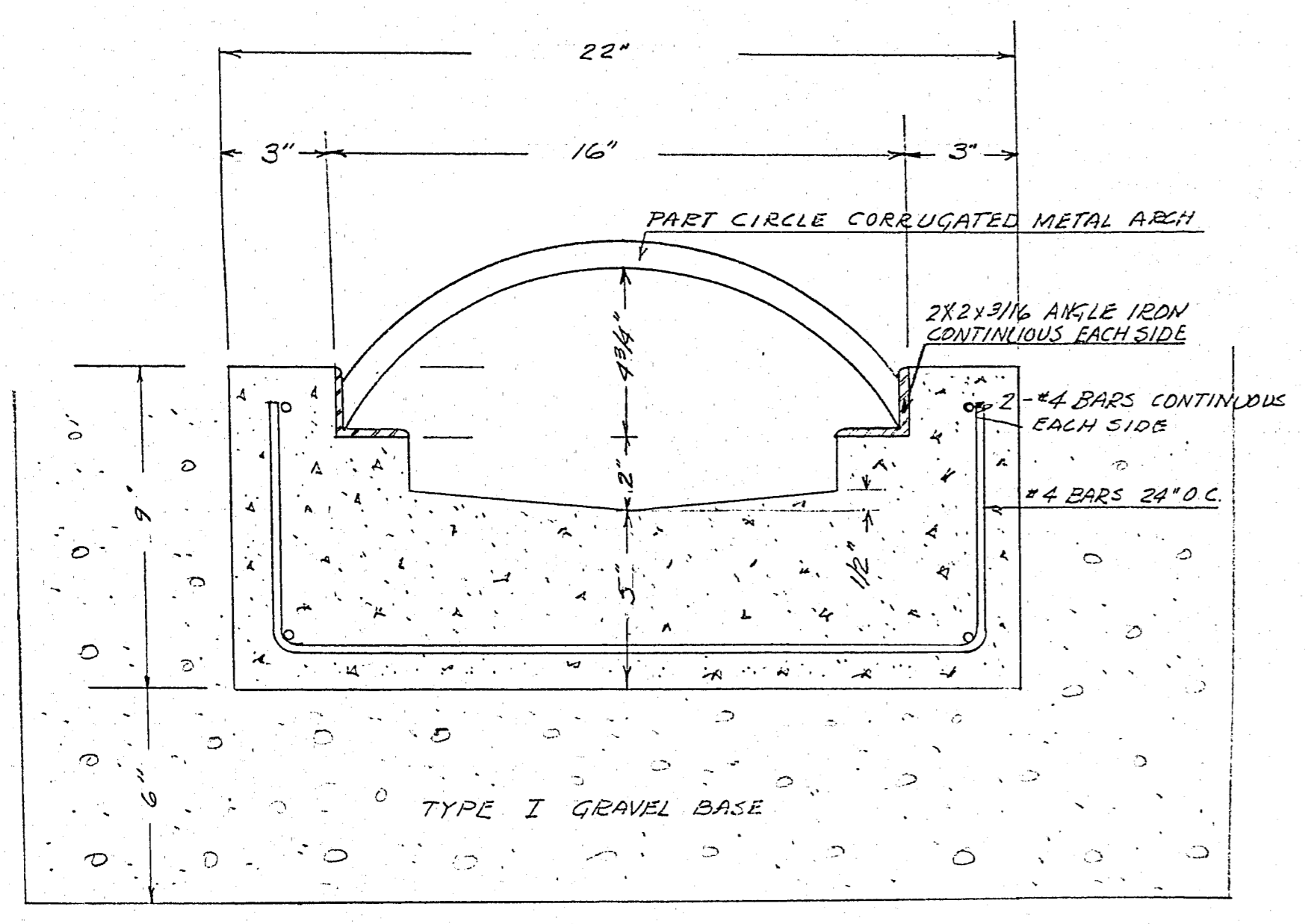
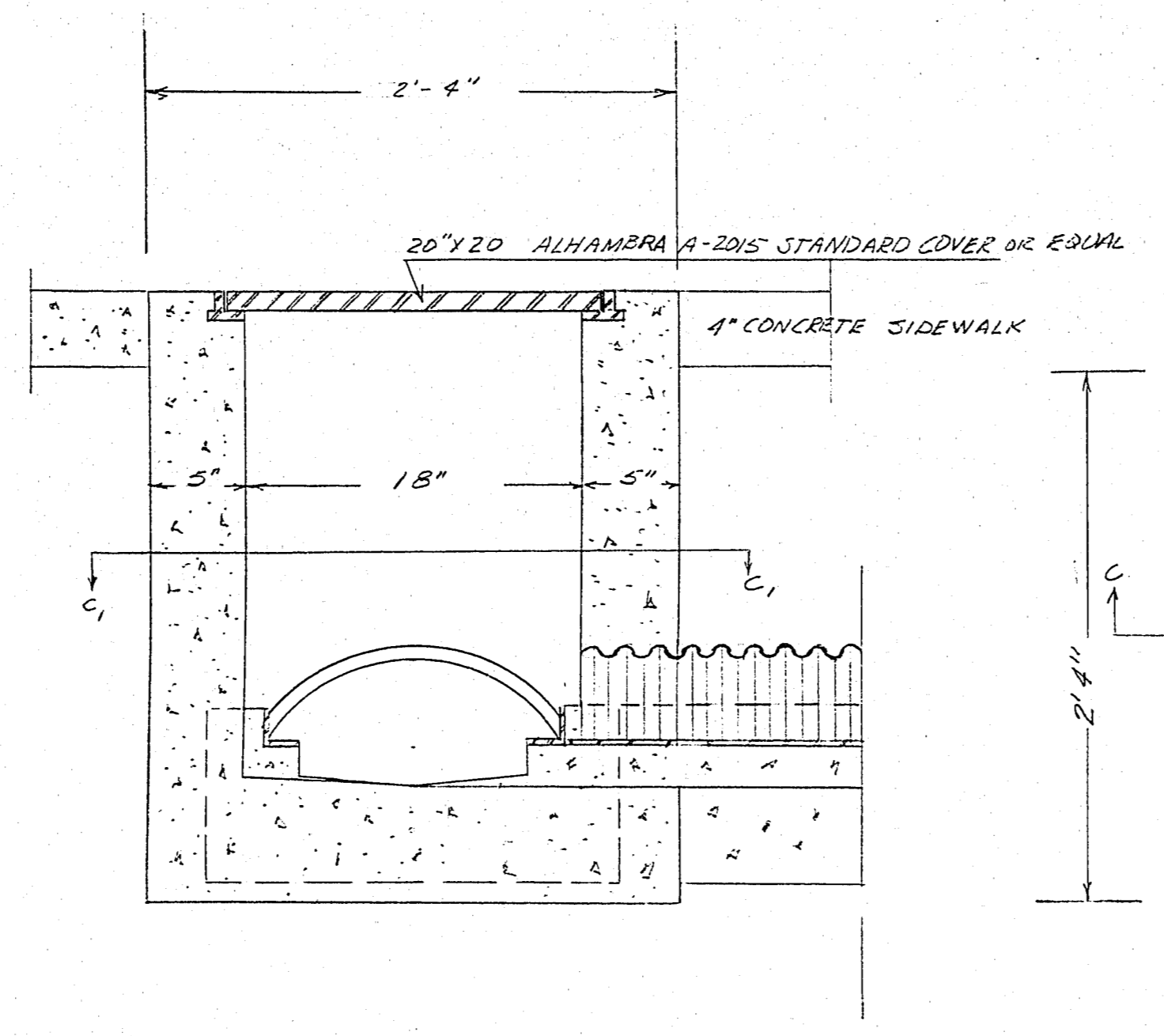


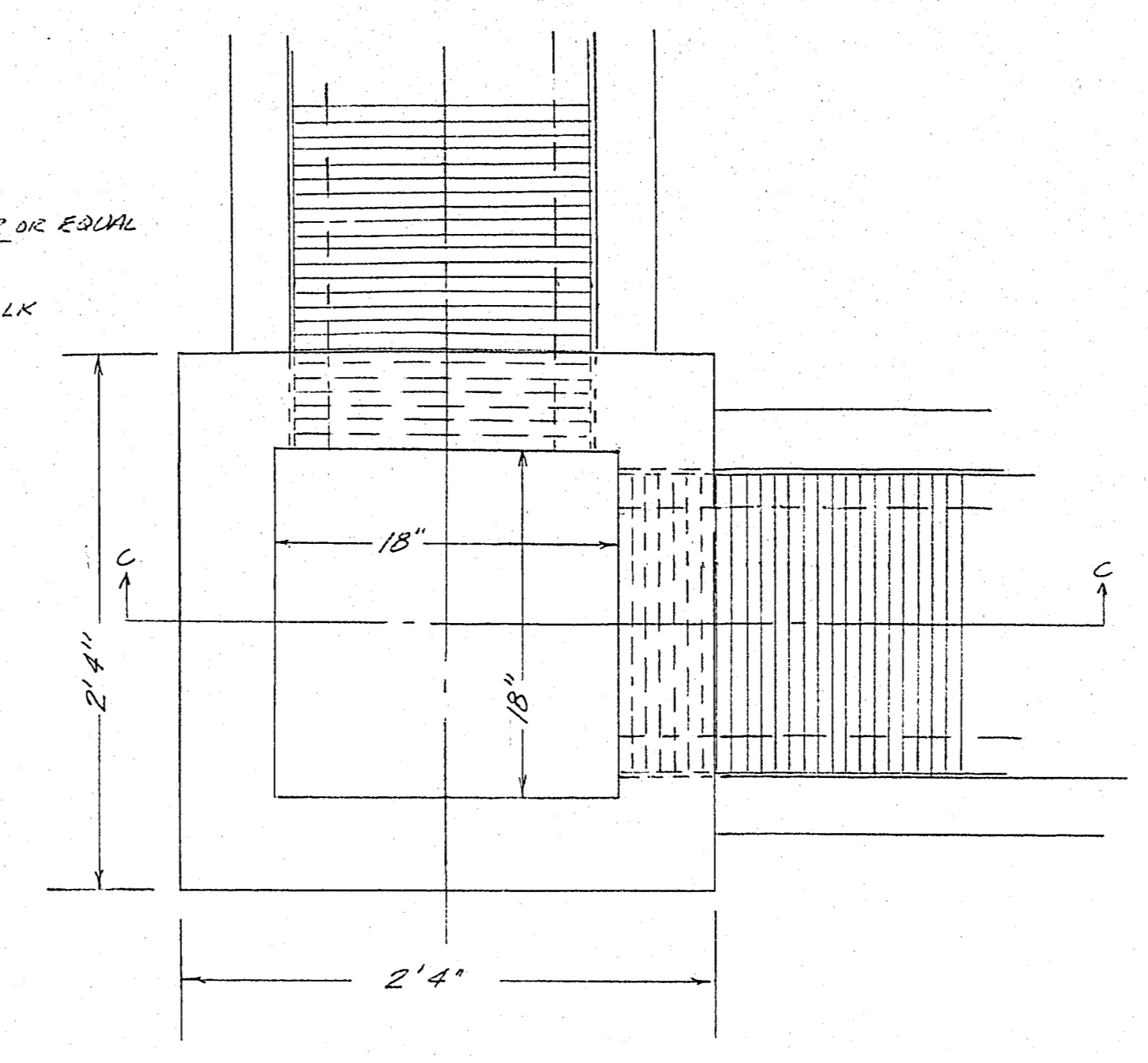
7-4-49



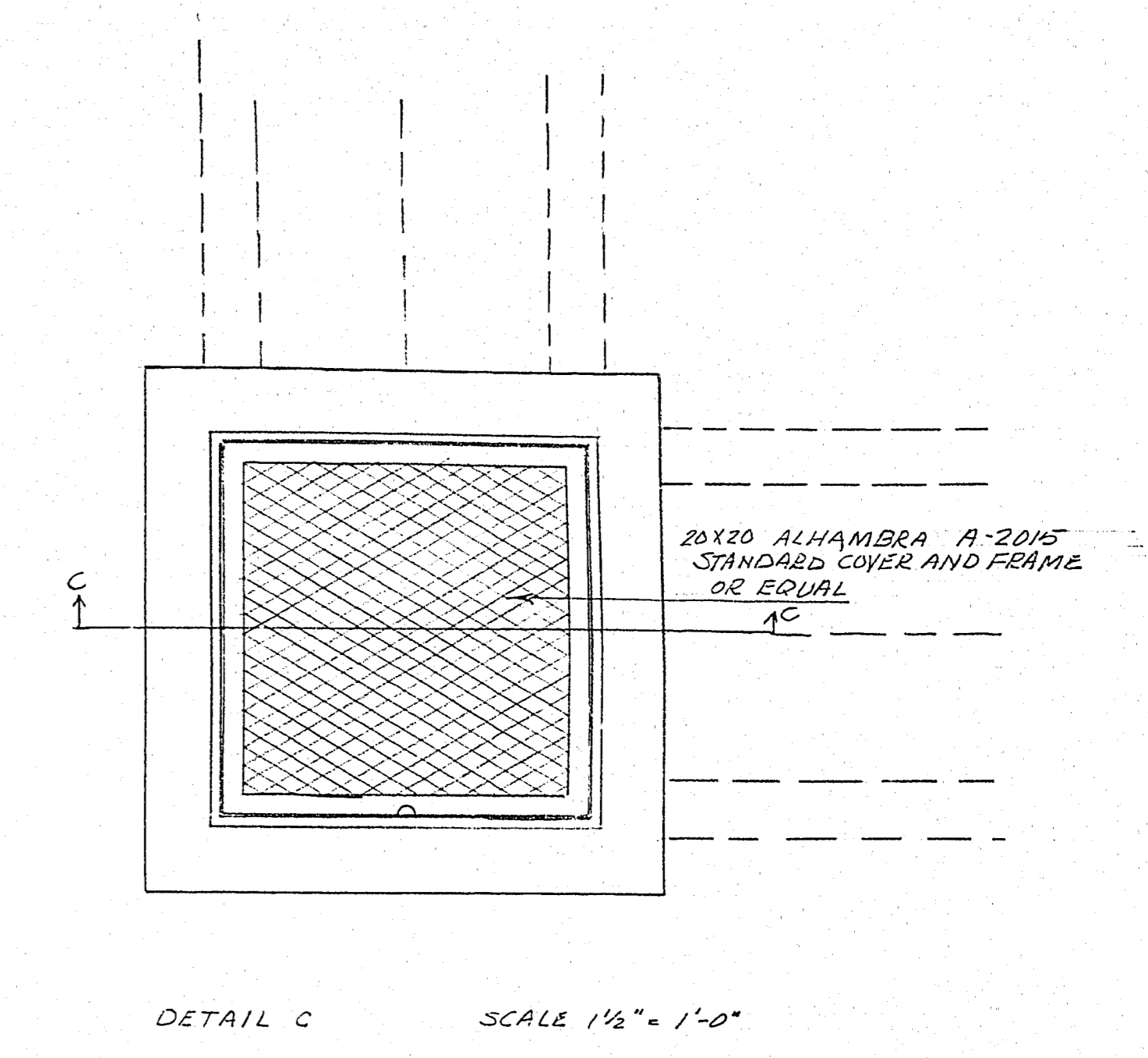
SECTION A-A SCALE 3/4" = 1'-0"



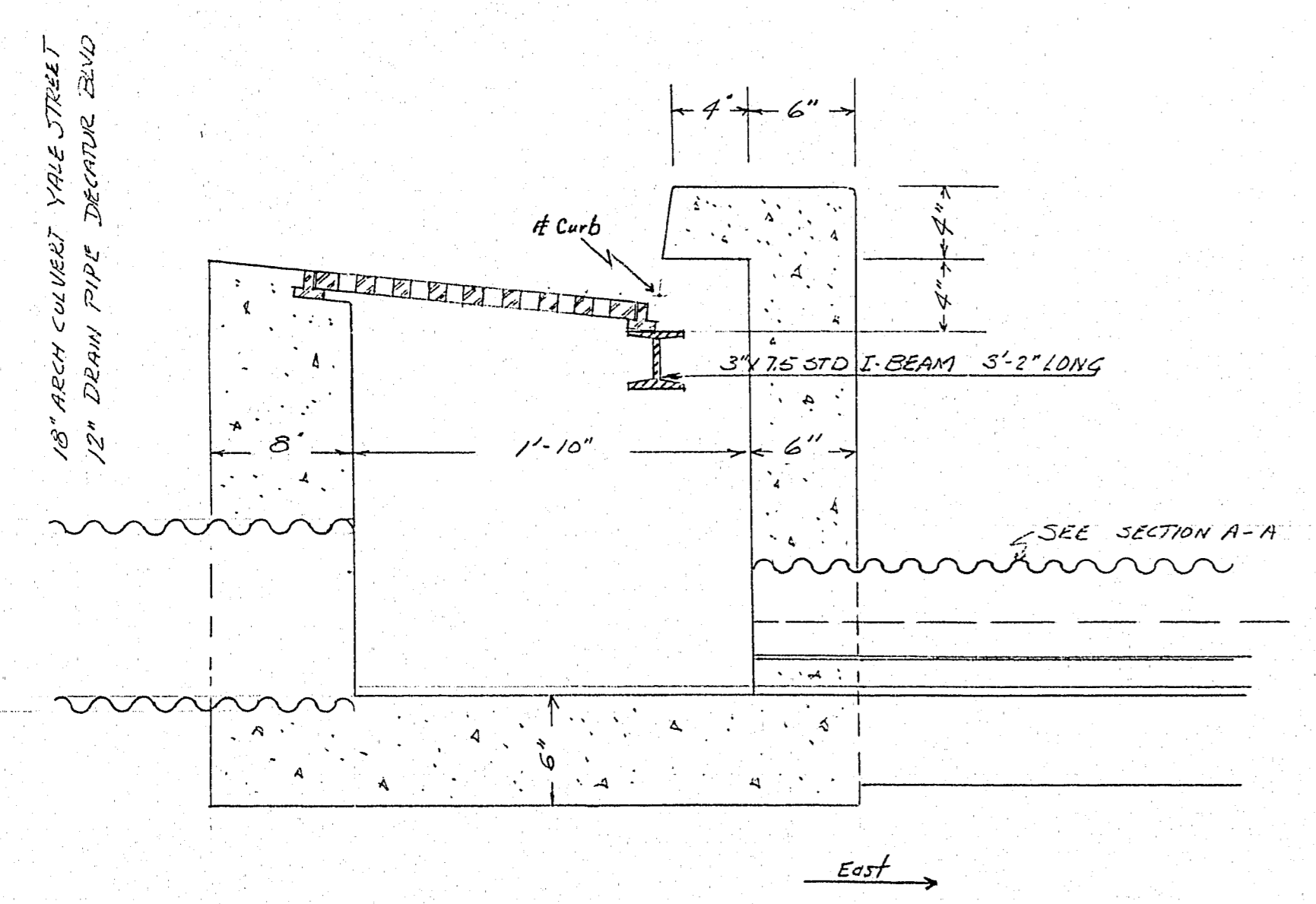
SECTION C-C SCALE 1 1/2" = 1'-0"



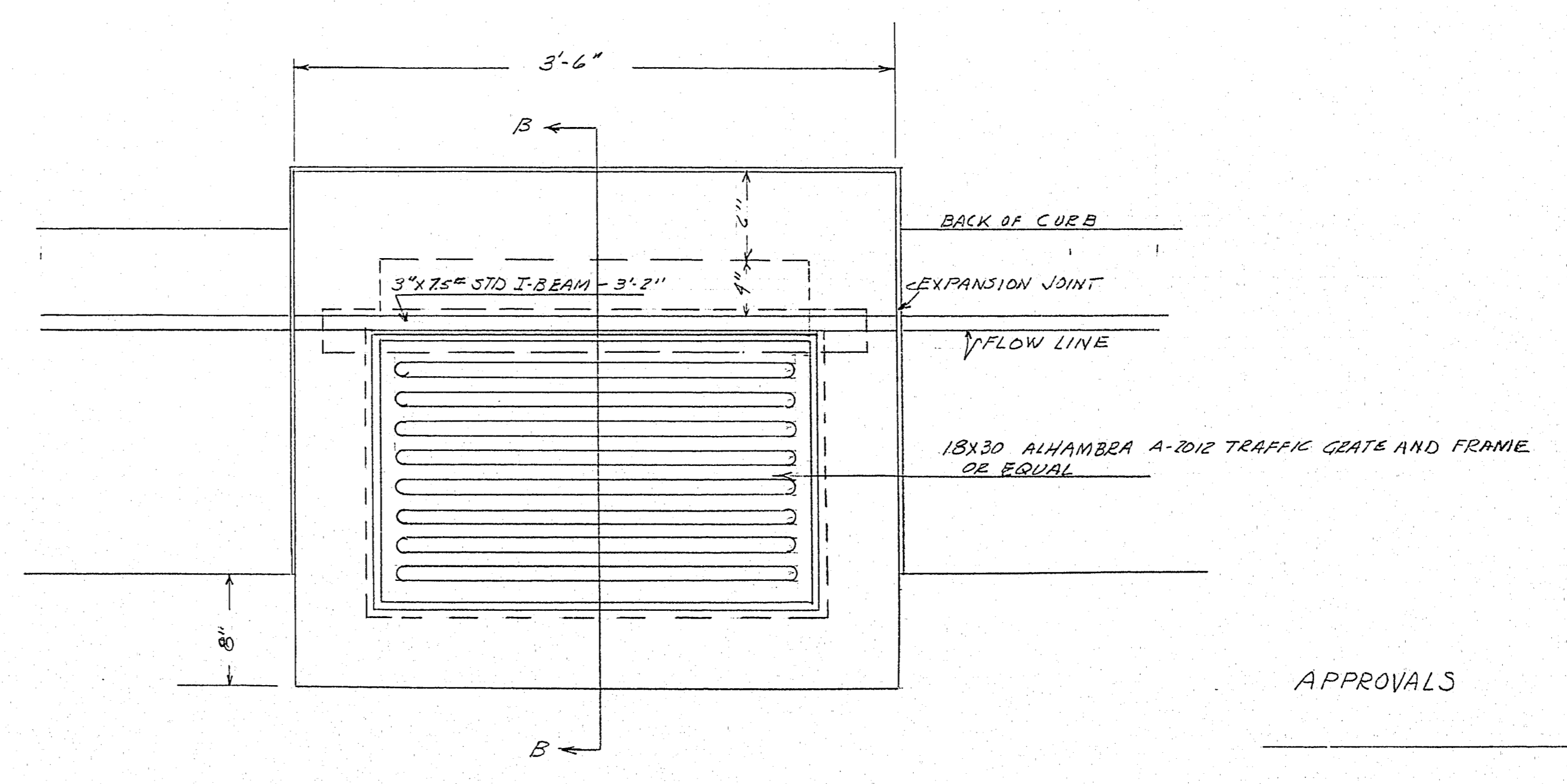
SECTION C-C SCALE 1 1/2" = 1'-0"



DETAIL C SCALE 1 1/2" = 1'-0"



SECTION B-B DROP INLET SCALE 1 1/2" = 1'-0"



DETAIL B SCALE 1 1/2" = 1'-0"

APPROVALS

_____	DATE _____
_____	DATE _____
CITY ENGINEER <i>R.P. [Signature]</i>	DATE 2-26-65

ROUTE	APPROVED	DATE
4	CONTRACTS	<i>[Signature]</i> 2/17/65
5	RIGHT OF WAY	
6	UTILITIES	
7	SUBDIVISION	
2	TRAFFIC	<i>[Signature]</i> 2/17/65
3	FIELD ENG.	<i>[Signature]</i> 2/17/65
1	ENGINEERING	<i>[Signature]</i> 2/17/65
5	D.P.W.	<i>[Signature]</i> 2/17/65

DRAIN DETAILS  
 WASHINGTON AVE - DECATUR BLVD

JACK K LEAVITT  
 REGISTERED PROFESSIONAL ENGINEER  
 LAND SURVEYOR RLS 807

DESIGNED *[Signature]* RE 704 DATE 2-8-65  
 CHECKED *[Signature]* RLS 807 DATE 2-8-65

SHEET 4 OF 4

107 Y 627