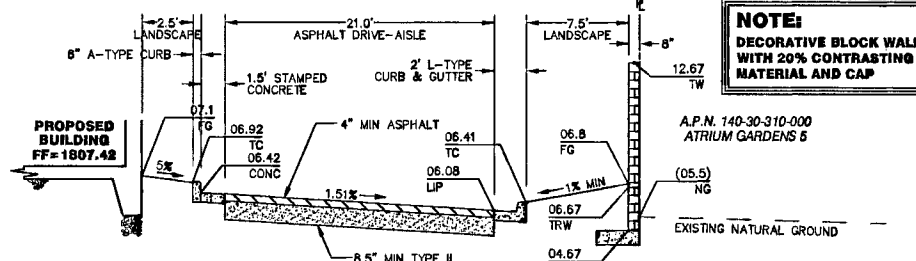
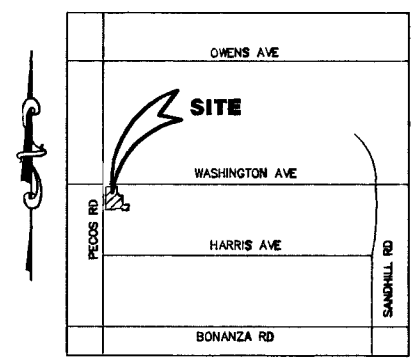


**A** CROSS-SECTION A  
NOT TO SCALE



**B** CROSS-SECTION B  
NOT TO SCALE

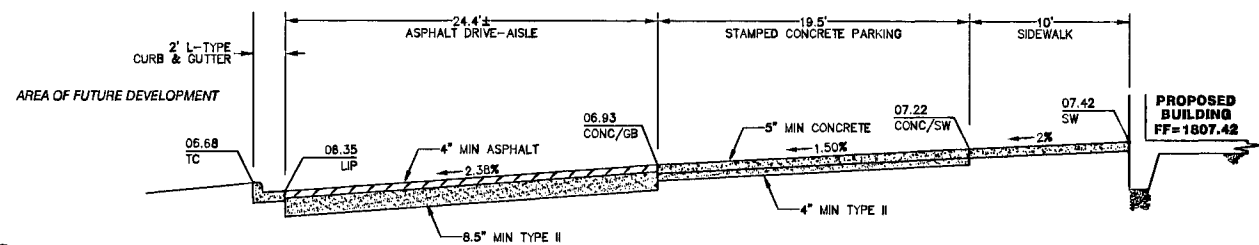
**NOTE:**  
DECORATIVE BLOCK WALL  
WITH 20% CONTRASTING  
MATERIAL AND CAP



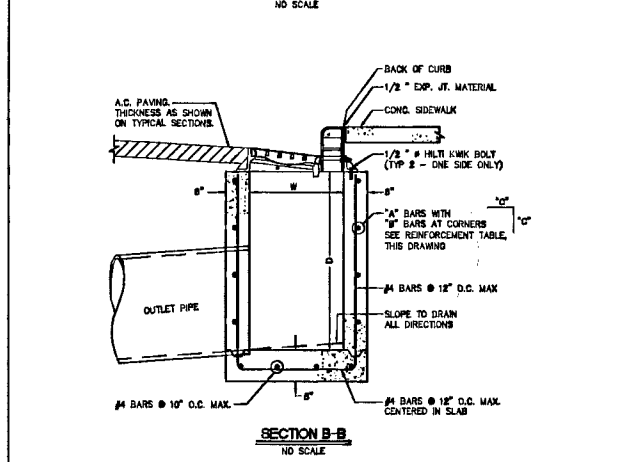
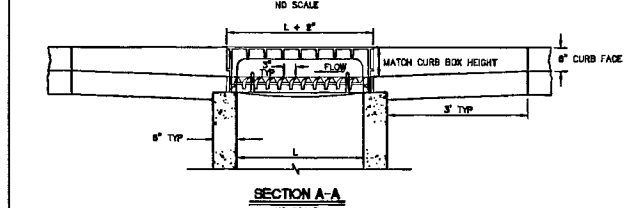
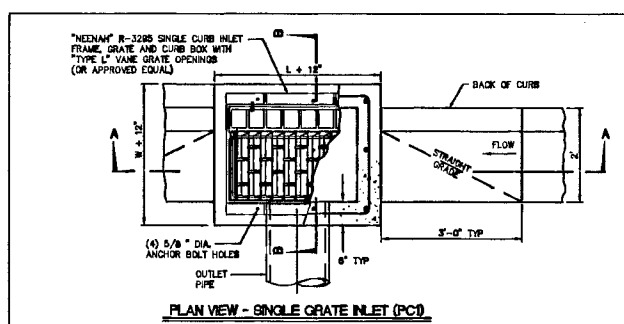
**AREA MAP**  
N.T.S.

**LEGEND**

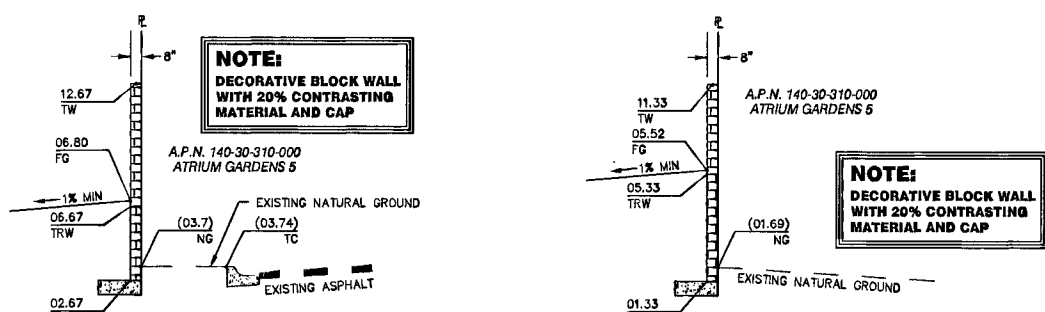
---	PROPERTY LINE
---	RIGHT OF WAY
---	CENTERLINE
---	AC CUTLINE
---	EXISTING CURB
---	PROPOSED CURB
---	EXISTING EDGE OF PAVEMENT
---	PROPOSED EDGE OF PAVEMENT
---	EXISTING BLOCK WALL
---	PROPOSED BLOCK WALL
---	CONTOUR LINE
---	2051
---	OHP
---	EXISTING OVER HEAD POWER
---	AC
---	ASPHALTIC CONCRETE
---	BC
---	BACK OF CURB
---	BCR
---	BEGINNING OF CURB RADIUS
---	BW
---	BACK OF WALK
---	CG
---	CURB & GUTTER
---	CL
---	CENTERLINE
---	CONC
---	CONCRETE
---	ECR
---	END OF CURB RADIUS
---	EP
---	EDGE OF PAVEMENT
---	EX
---	EXISTING
---	FG
---	FINISH GRADE
---	FL
---	FLOW LINE
---	GB
---	GRADE BREAK
---	HP
---	HIGH POINT
---	LP
---	LOW POINT
---	NG
---	NATURAL GROUND
---	PL
---	PROPERTY LINE
---	STA
---	STATION
---	SW
---	SIDEWALK
---	TC
---	TOP OF CURB
---	TF
---	TOP OF FOOTING
---	TRW
---	TOP OF RETAINING WALL
---	TW
---	TOP OF WALL
---	EXISTING 250W STREET LIGHT
---	EXISTING POWER POLE
---	AREA OF NEW ASPHALT



**C** CROSS-SECTION C  
NOT TO SCALE

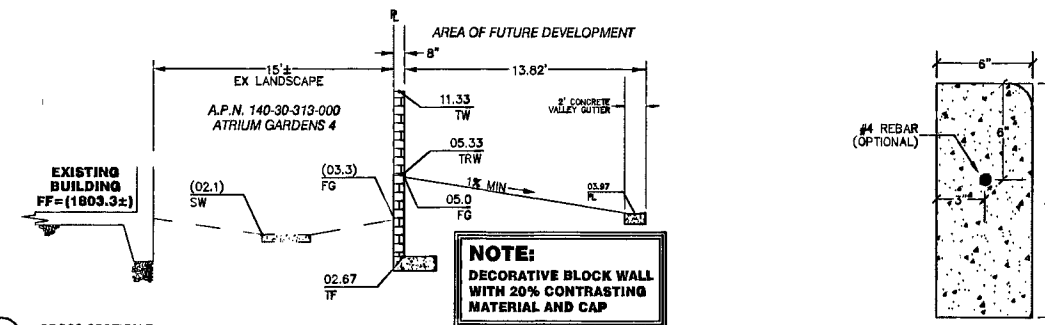


**SINGLE GRATE INLET (PC1) DETAIL**  
N.T.S.

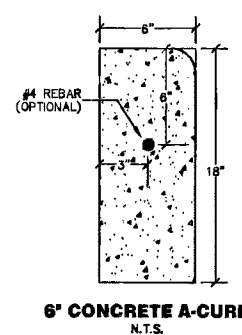


**D** CROSS-SECTION D  
NOT TO SCALE

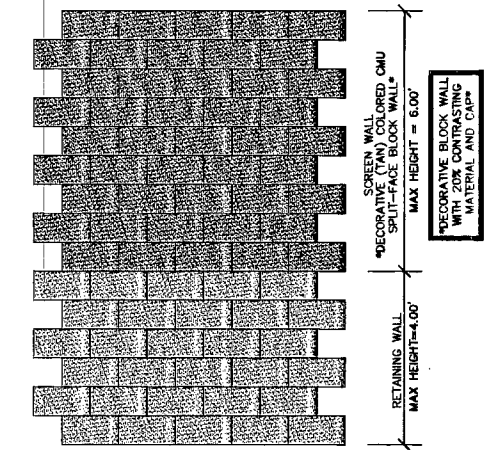
**E** CROSS-SECTION E  
NOT TO SCALE



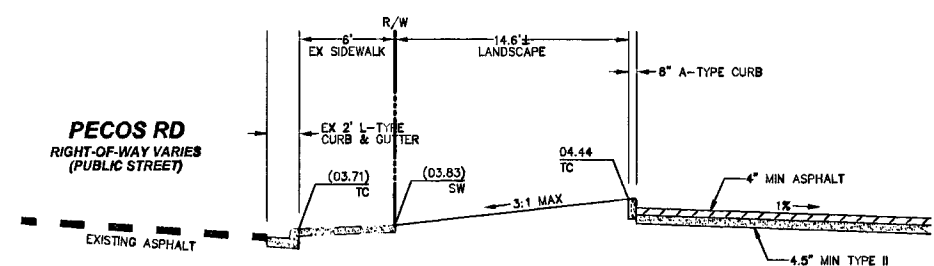
**F** CROSS-SECTION F  
NOT TO SCALE



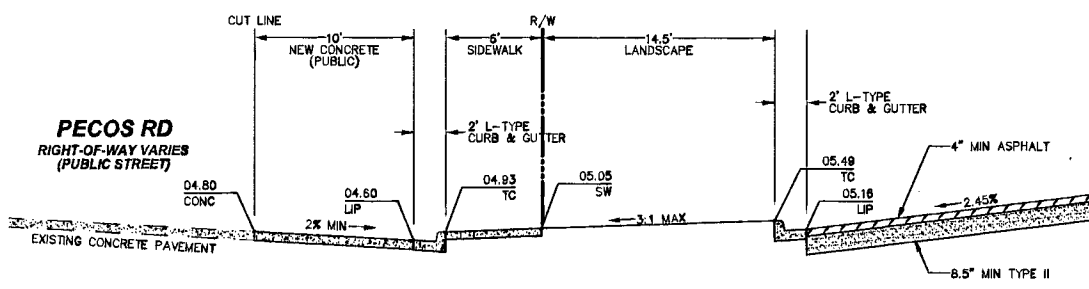
**6" CONCRETE A-CURB**  
N.T.S.



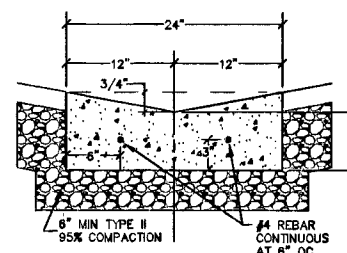
**WALL SECTION DETAIL**  
NOT TO SCALE



**G** CROSS-SECTION G  
NOT TO SCALE



**H** CROSS-SECTION H  
NOT TO SCALE



**2 FT (24") CONCRETE VALLEY GUTTER**  
N.T.S.

**BRESLIN BUILDERS**  
5525 POLARIS AVE, LAS VEGAS, NEVADA  
PHONE: (702) 798-3977 FAX: (702) 798-3908

**JFR Associates Ltd.**  
CIVIL ENGINEERS & LAND SURVEYORS  
4880 W. UNIVERSITY, SUITE B-2 PH (702) 876-2341  
LAS VEGAS, NEVADA 89103 FAX (702) 876-8395

**CROSS-SECTIONS/DETAILS**  
PROJECT: REBEL CONVENIENCE STORE  
WASHINGTON AVE./PECOS ROAD  
CITY OF LAS VEGAS, NEVADA

SHEET: 07-07-09  
DRAWN BY: SA  
DESIGNED BY: JARRELL  
CHECKED BY: JARRELL  
PROJECT NO.: 234-09-011  
SCALE: HORIZONTAL: 1"=30'  
VERTICAL: N/A

RESEAL JARRELL  
Exp. 06/30/2011  
CIVIL

**C5**  
SHEET 5 OF 12 SHEETS  
CLV DWG # 107V5376  
CLV PROJECT #37188