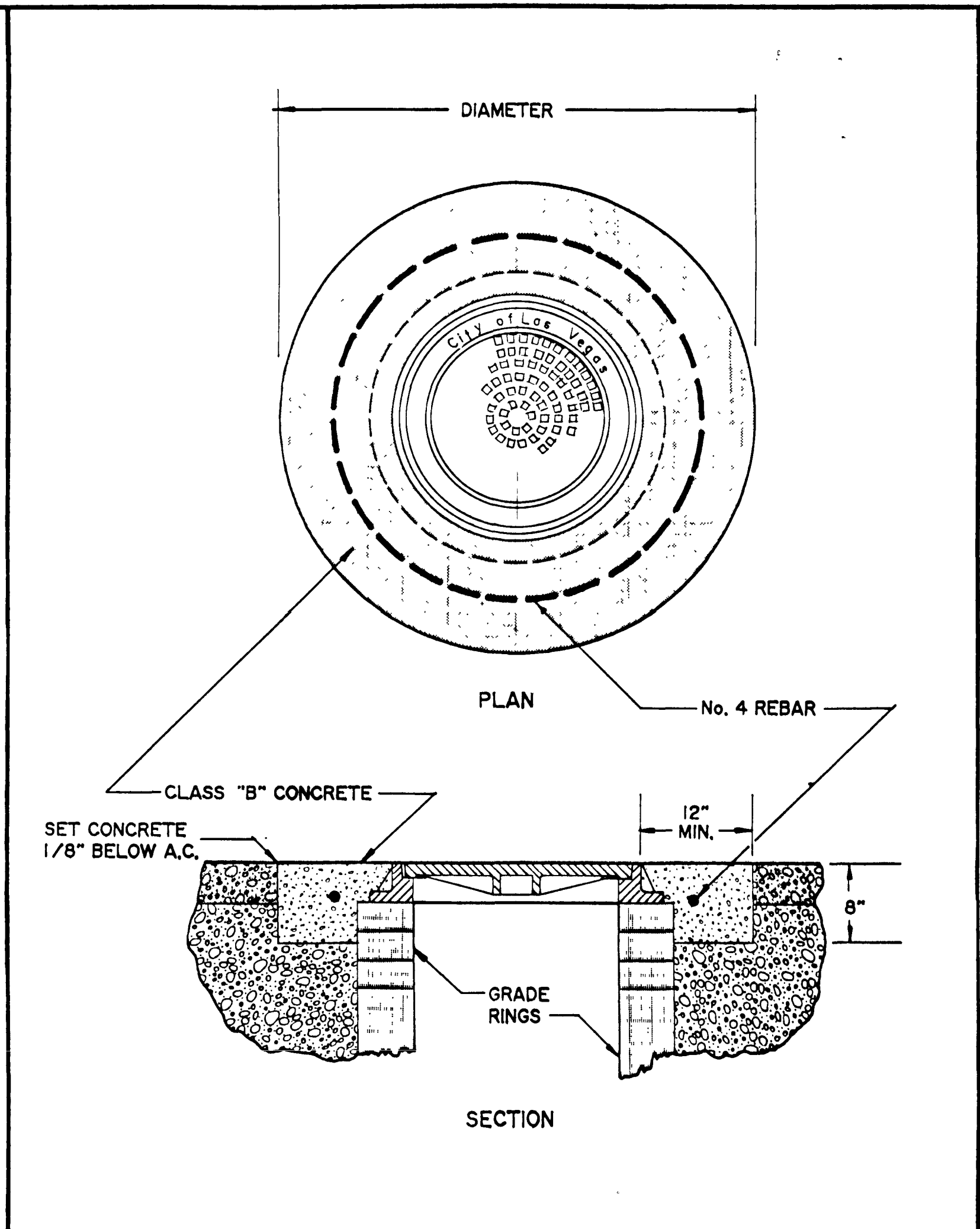
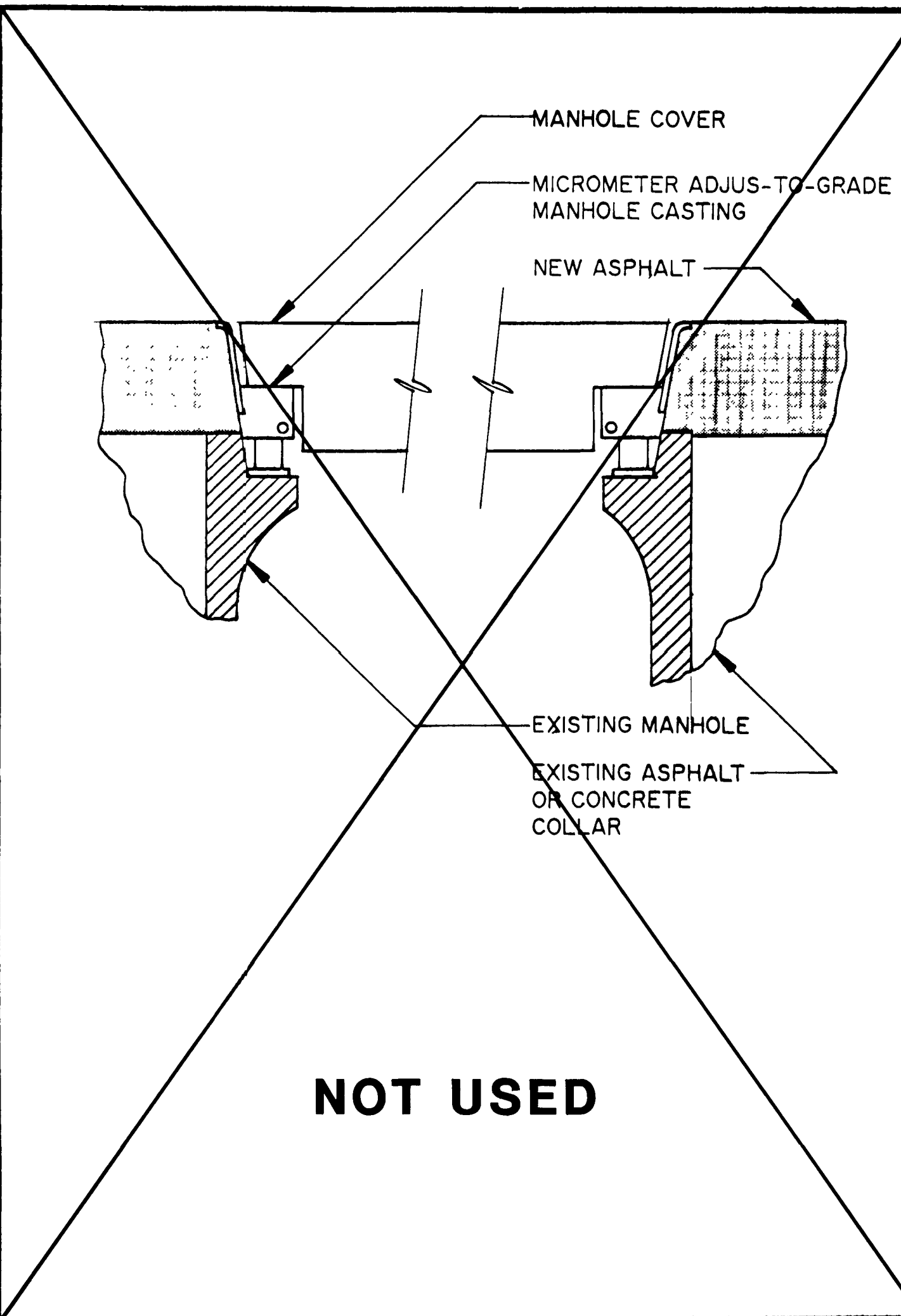


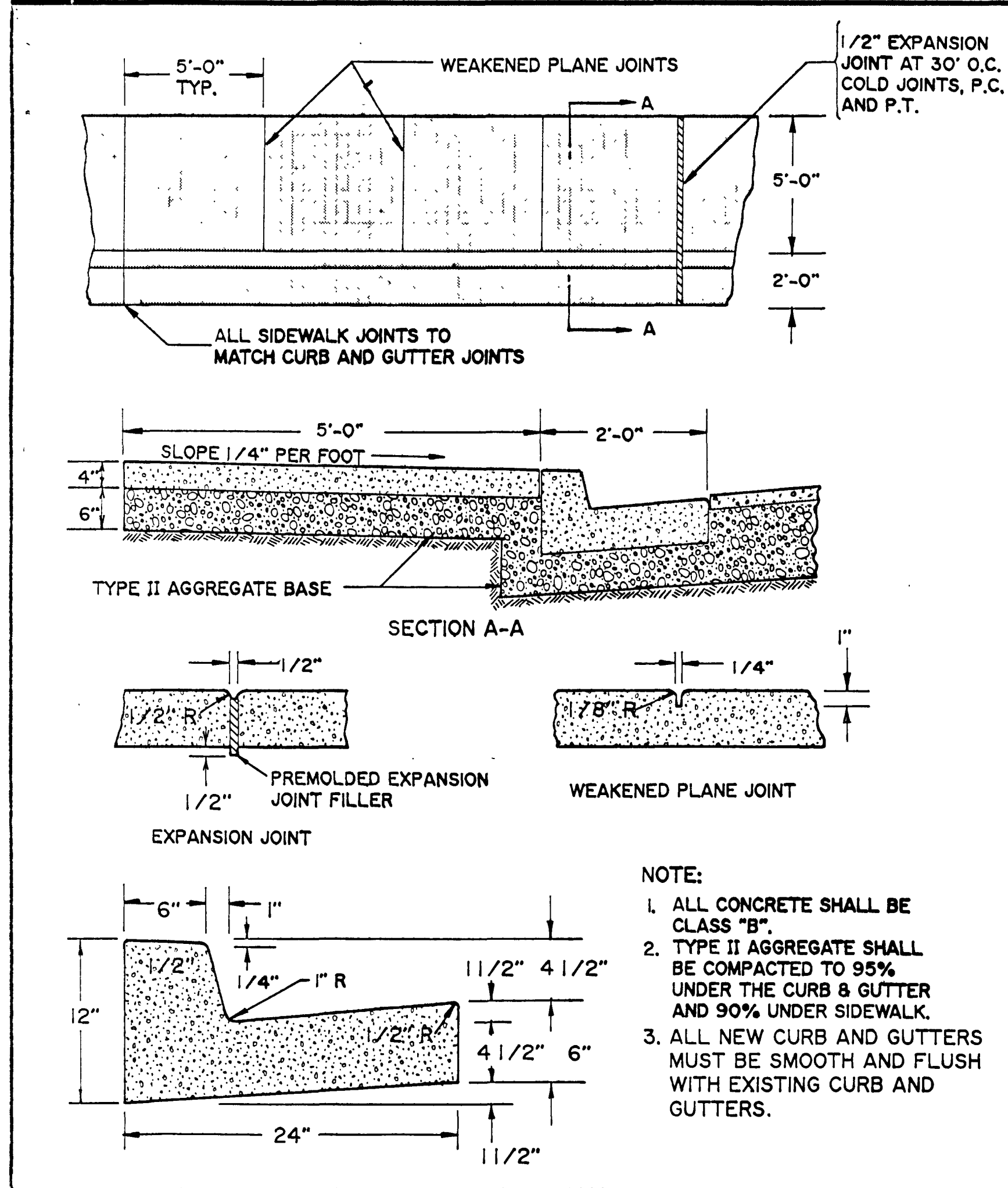
**WHEELCHAIR RAMP** (1/10)



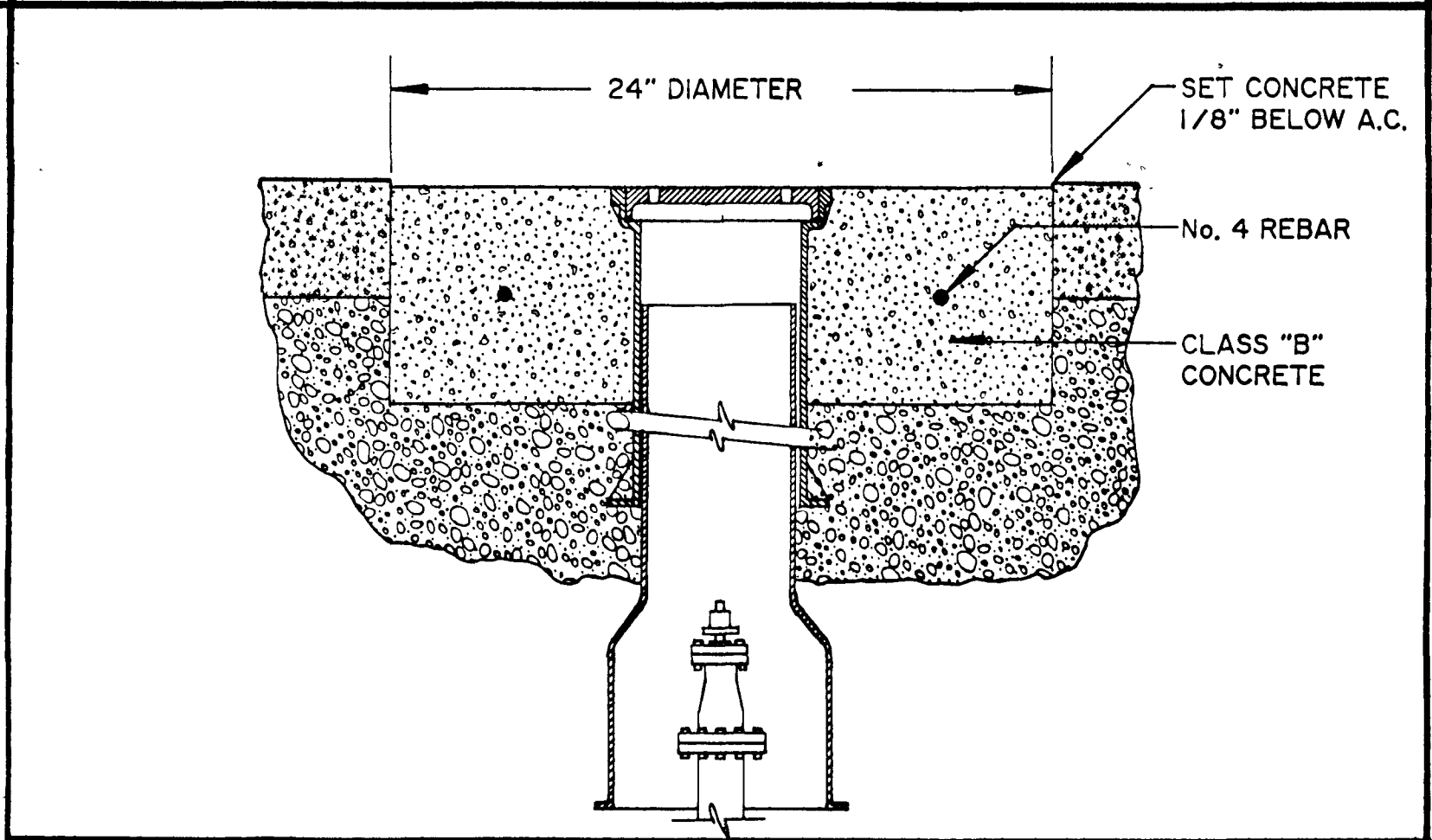
**CONCRETE MANHOLE COLLAR** (3/10)



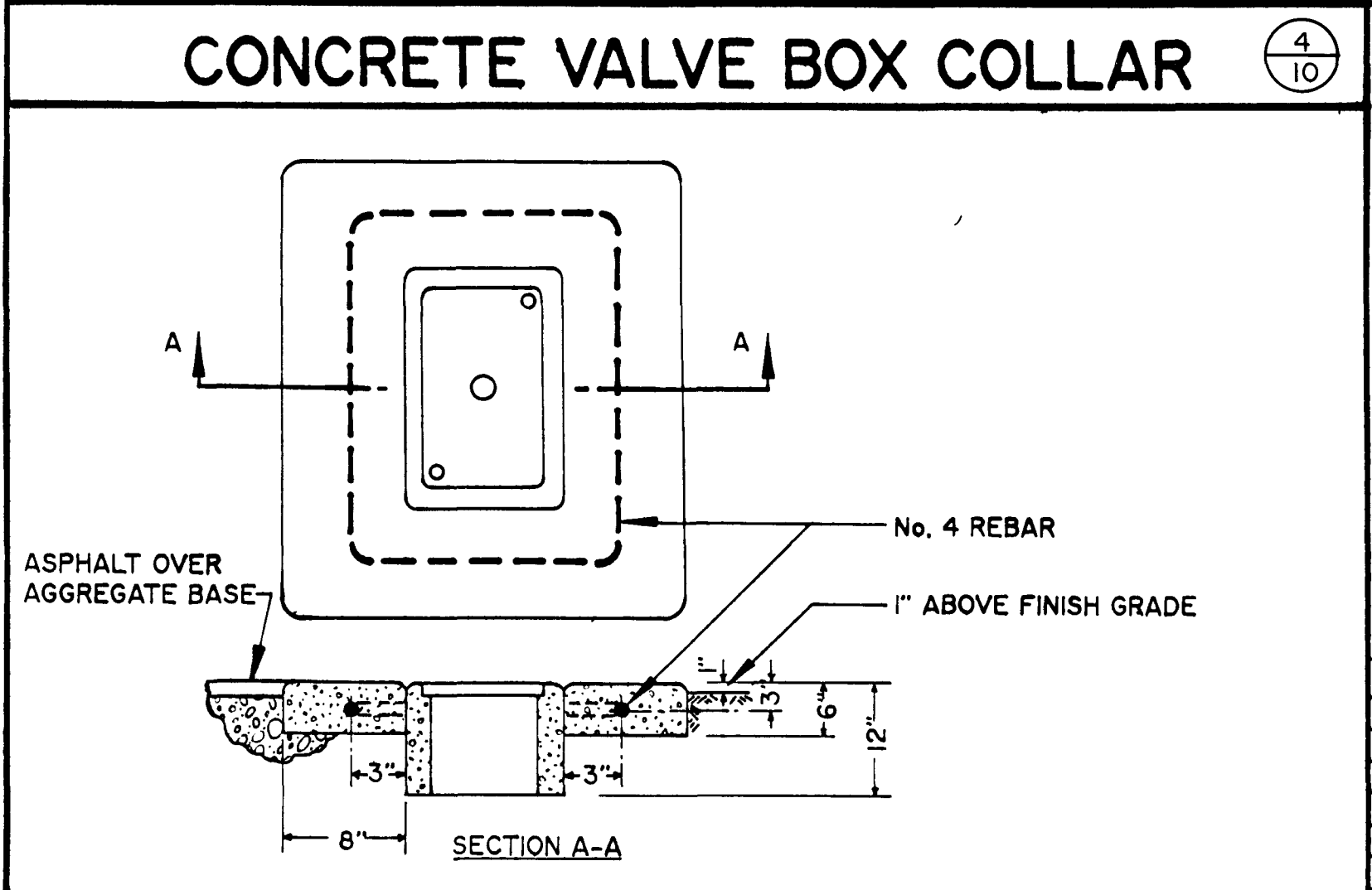
**ADJUSTABLE MANHOLE CASTING** (6/10)



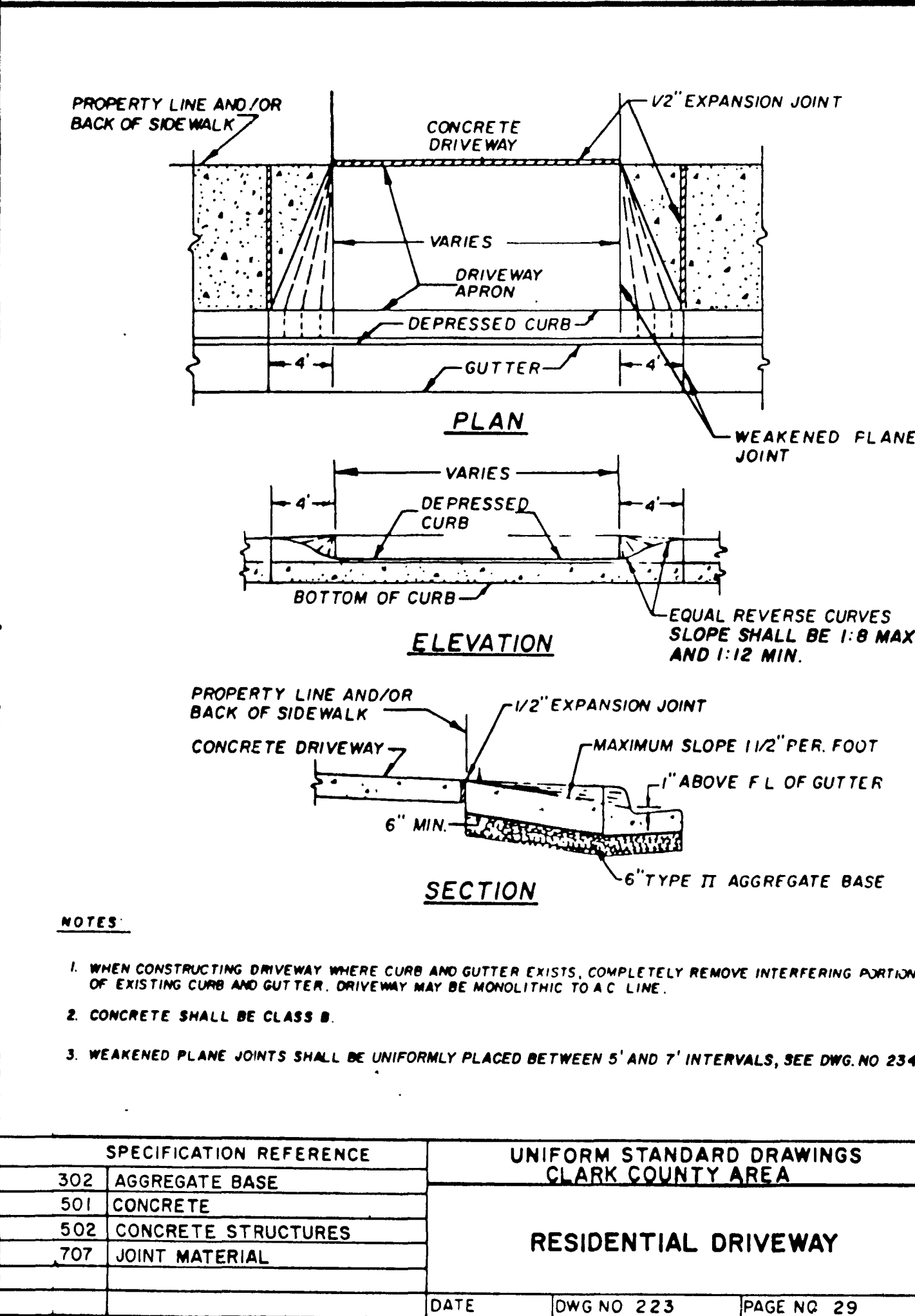
**SIDEWALK / "L" TYPE CURB & GUTTER** (2/10)



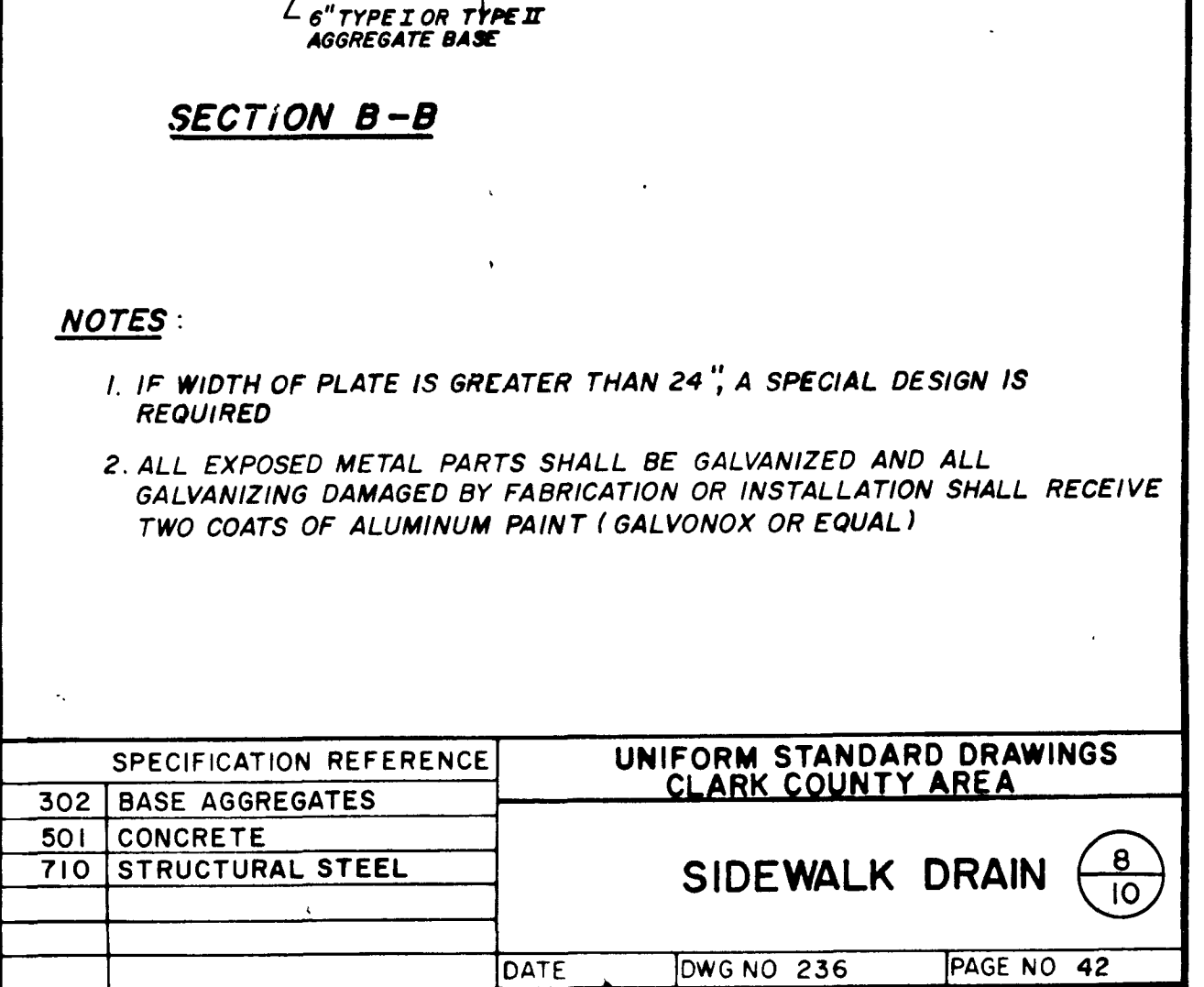
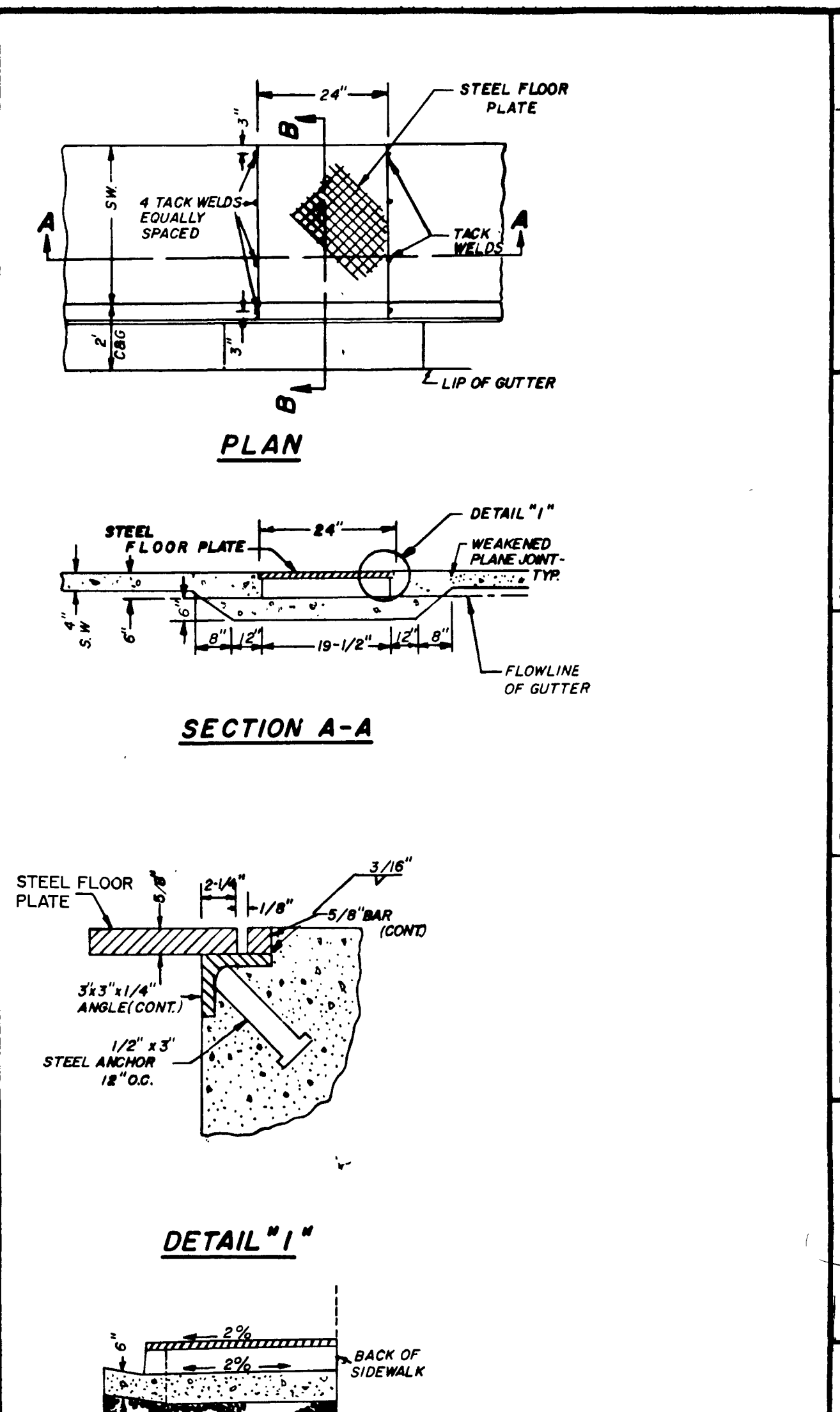
**CONCRETE VALVE BOX COLLAR** (4/10)



**PULLBOX CONCRETE COLLAR** (5/10)



**RESIDENTIAL DRIVEWAY** (7/10)



**SIDWALK DRAIN** (8/10)

SPECIFICATION REFERENCE		UNIFORM STANDARD DRAWINGS CLARK COUNTY AREA	
302	AGGREGATE BASE	RESIDENTIAL DRIVEWAY	
501	CONCRETE		
502	CONCRETE STRUCTURES		
707	JOINT MATERIAL		
DATE		DWG NO 223	PAGE NO 29

SPECIFICATION REFERENCE		UNIFORM STANDARD DRAWINGS CLARK COUNTY AREA	
302	BASE AGGREGATES	SIDWALK DRAIN	
501	CONCRETE		
710	STRUCTURAL STEEL		
DATE		DWG NO 236	PAGE NO 42

Avoid cutting underground utility lines. It's costly.

**Call before you Dig.**

1-800-227-2600

UNDERGROUND SERVICE ALERT (USA)

Department of Public Works

1988 1989 STREET REHABILITATION PROJECT

WASHINGTON AVENUE

LORENZIBLDV. TO RANCHO DR.

1988 1989 STREET REHABILITATION PROJECT WASHINGTON AVENUE, LORENZI BLDV. TO RANCHO DR.

Scale (h) N.T.S. Date Design by Dennis Anderson Approved by

Scale (i) N.T.S. Date Drawn by George Gagnon Date

W.A.

Revisions

Date

10/13

