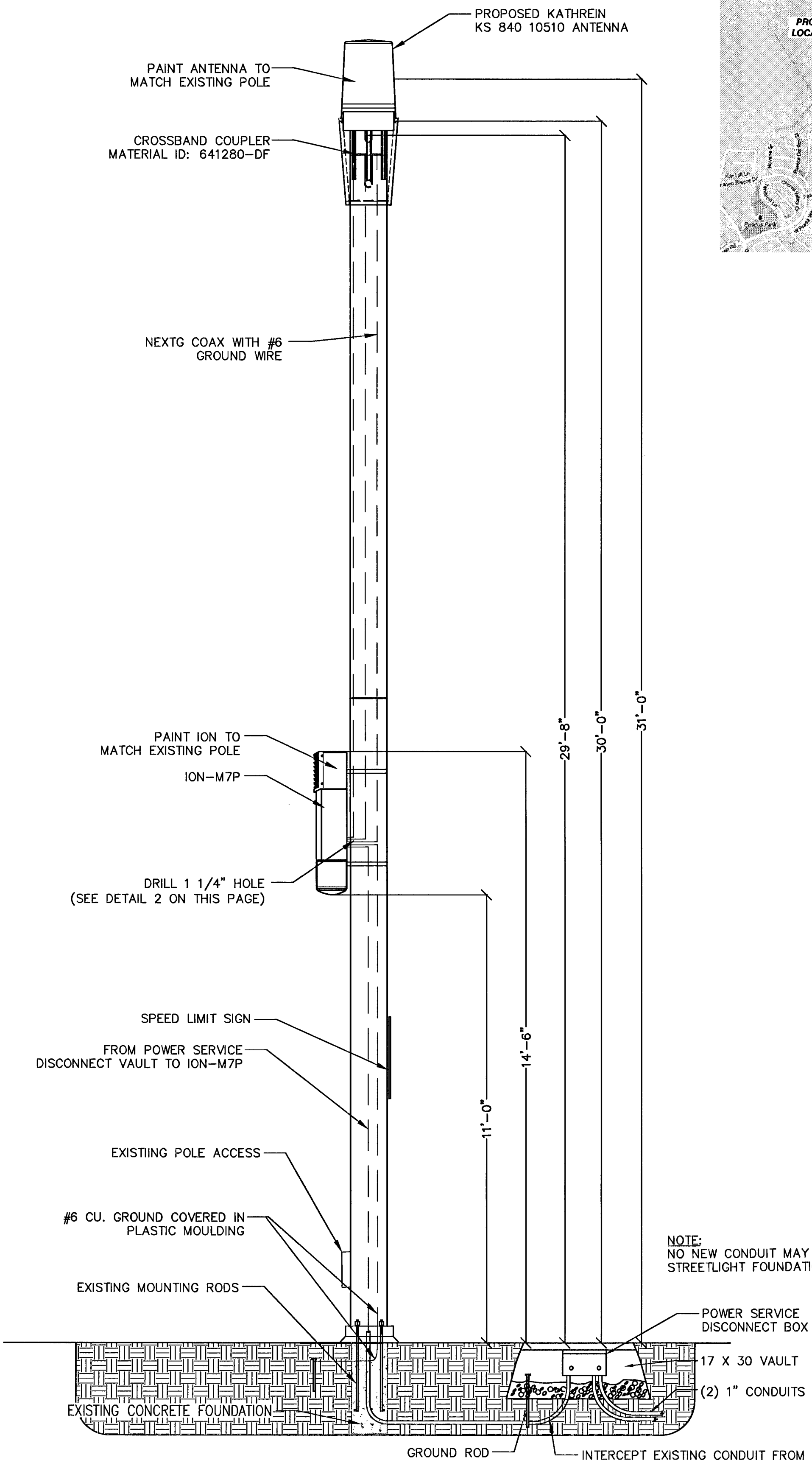
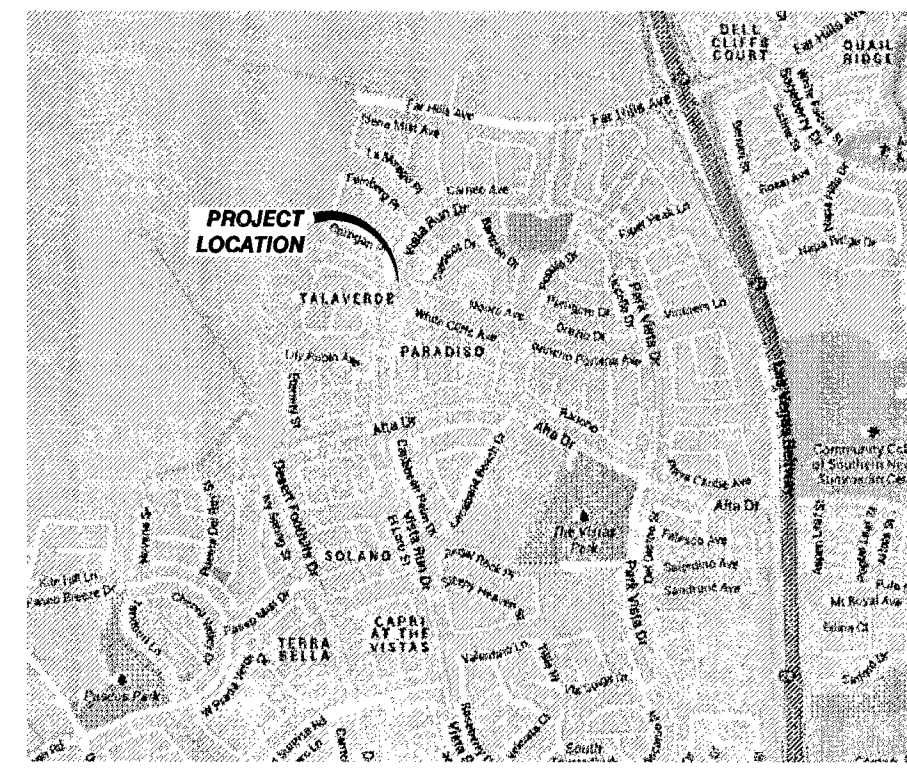


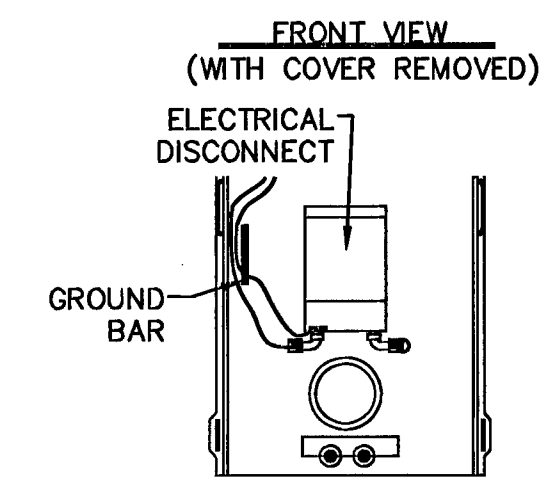
POLE ELEVATION  
NTS



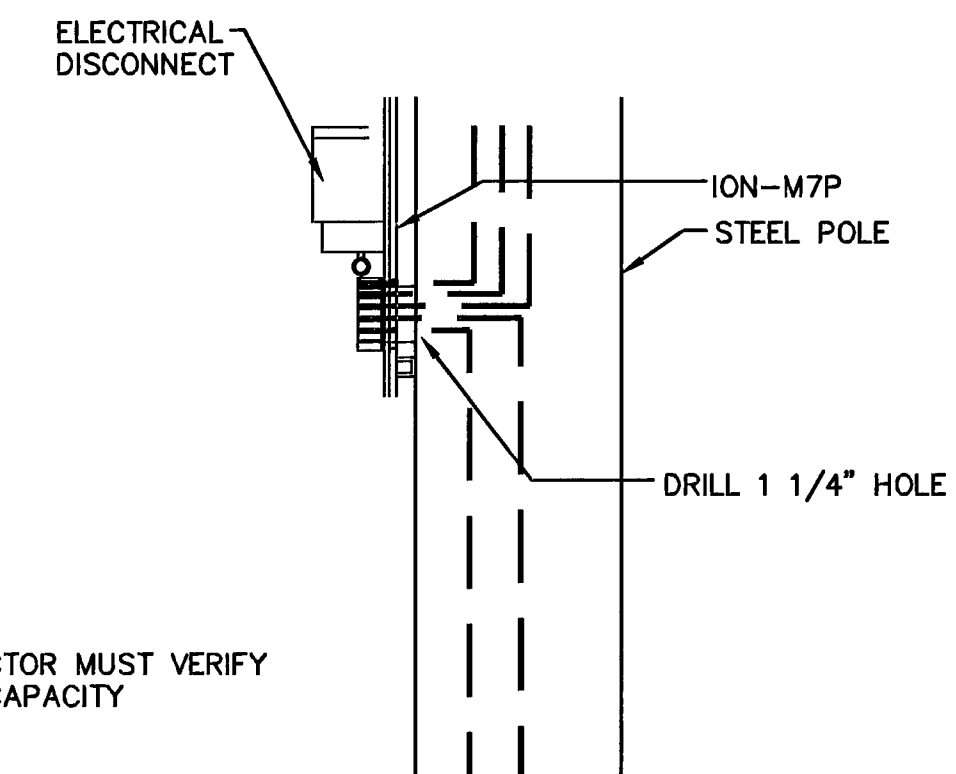
NOTE:  
NO NEW CONDUIT MAY BE INSTALLED IN EXISTING STREETLIGHT FOUNDATION, BASE AND CRASH CAP



VICINITY MAP  
NTS

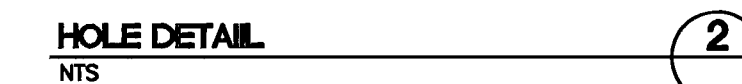


SIDE VIEW

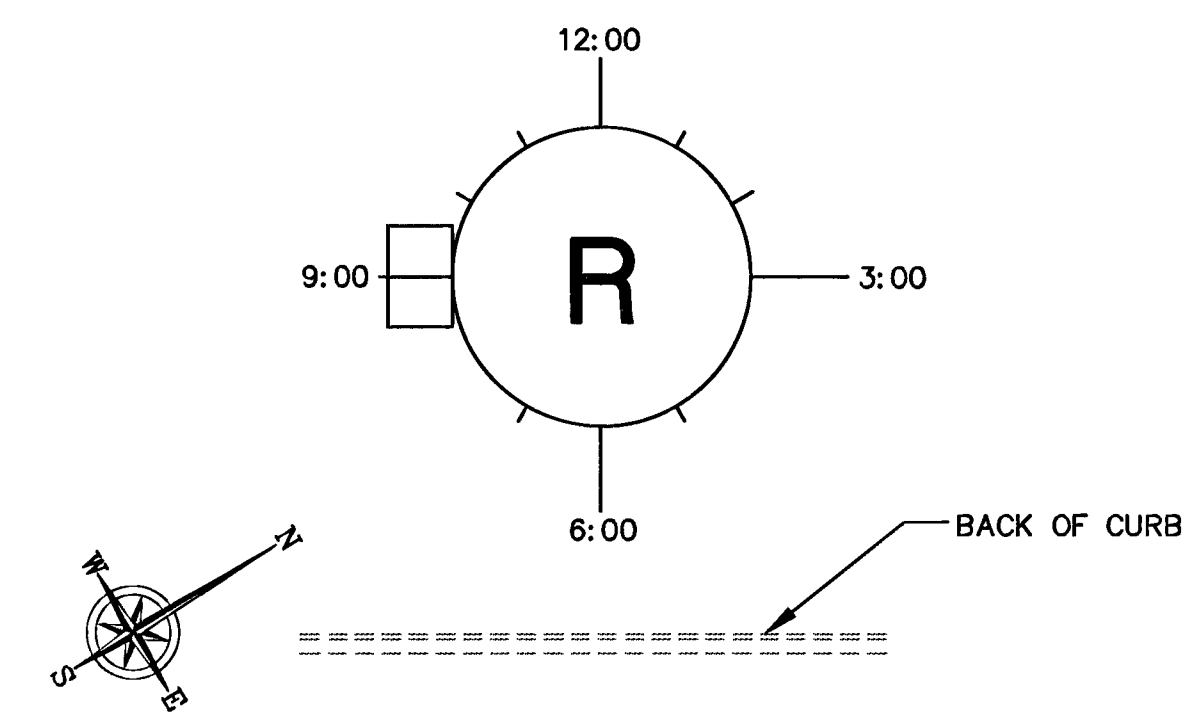


NOTE:  
CONTRACTOR MUST VERIFY POWER CAPACITY

HOLE DETAIL  
NTS



FIBER POLE DETAIL  
NTS

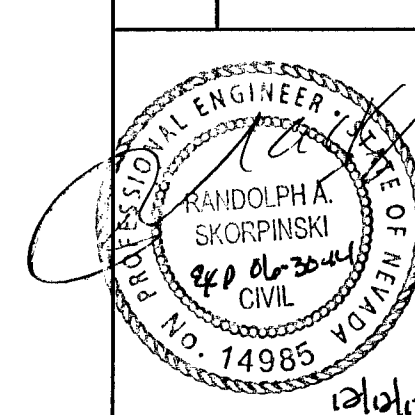


REV.	DESCRIPTION	APPROV BY	DATE

**SPECTRUM**  
SPECTRUM SERVICES, INC.  
8905 W. POST ROAD, SUITE 100  
LAS VEGAS, NEVADA 89148  
OFFICE: (702) 367-7705  
FAX: (702) 367-8733

**CROWN CASTLE**  
ENGINEERING  
695 RIVER OAKS PARKWAY  
SAN JOSE, CALIFORNIA 95134

IMPROVEMENT PLANS  
FOR SUMMERLIN  
PROFILES  
VFH02 FIBER OPTIC CABLE  
IMPROVEMENTS IN SUMMERLIN  
S. VISTA RUN DR.  
(140 FT. S. OF W. MOUNTAIN SHADOW RD.)



CONTRACTED WITH:  
HP COMMUNICATIONS  
PERMIT #  
DATE: 11/08/13  
JOB NO: C013030  
DRAWN BY: NEL  
CHECKED BY: RAS  
SCALE: NONE

C4 SHEET 4 OF 7