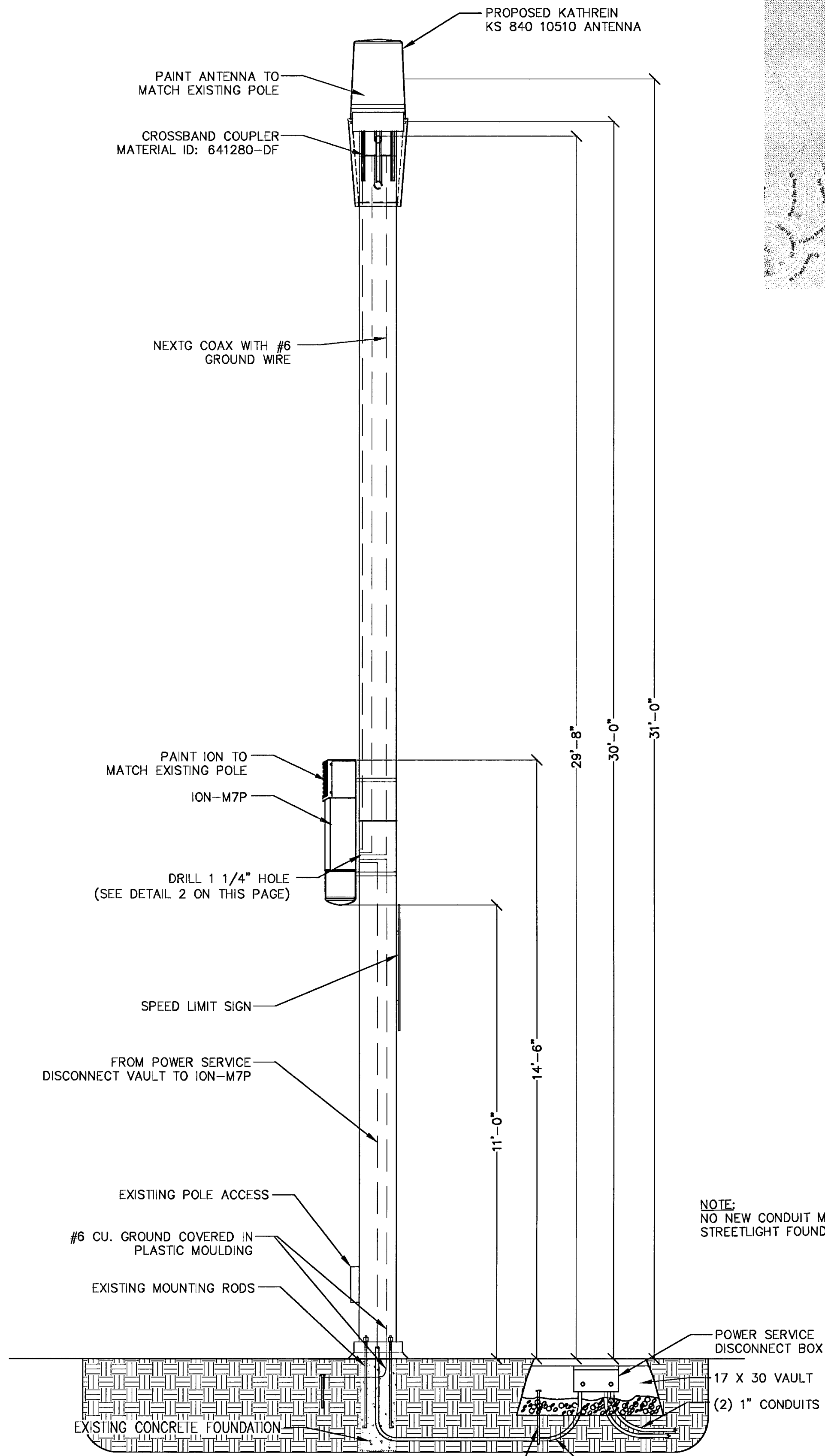
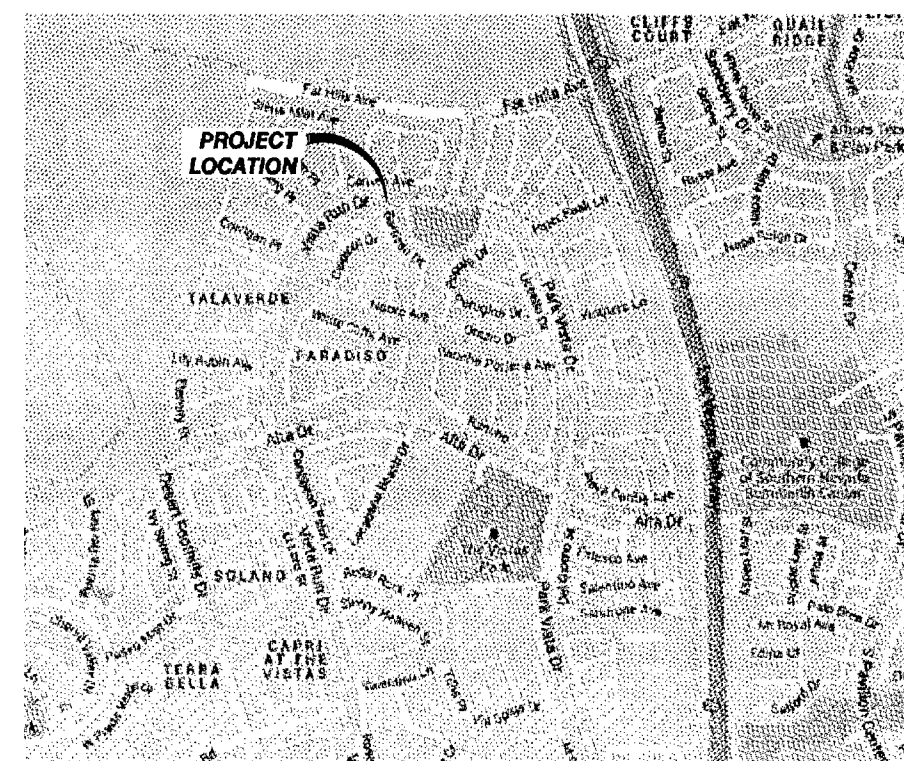


POLE ELEVATION
NTS (3)

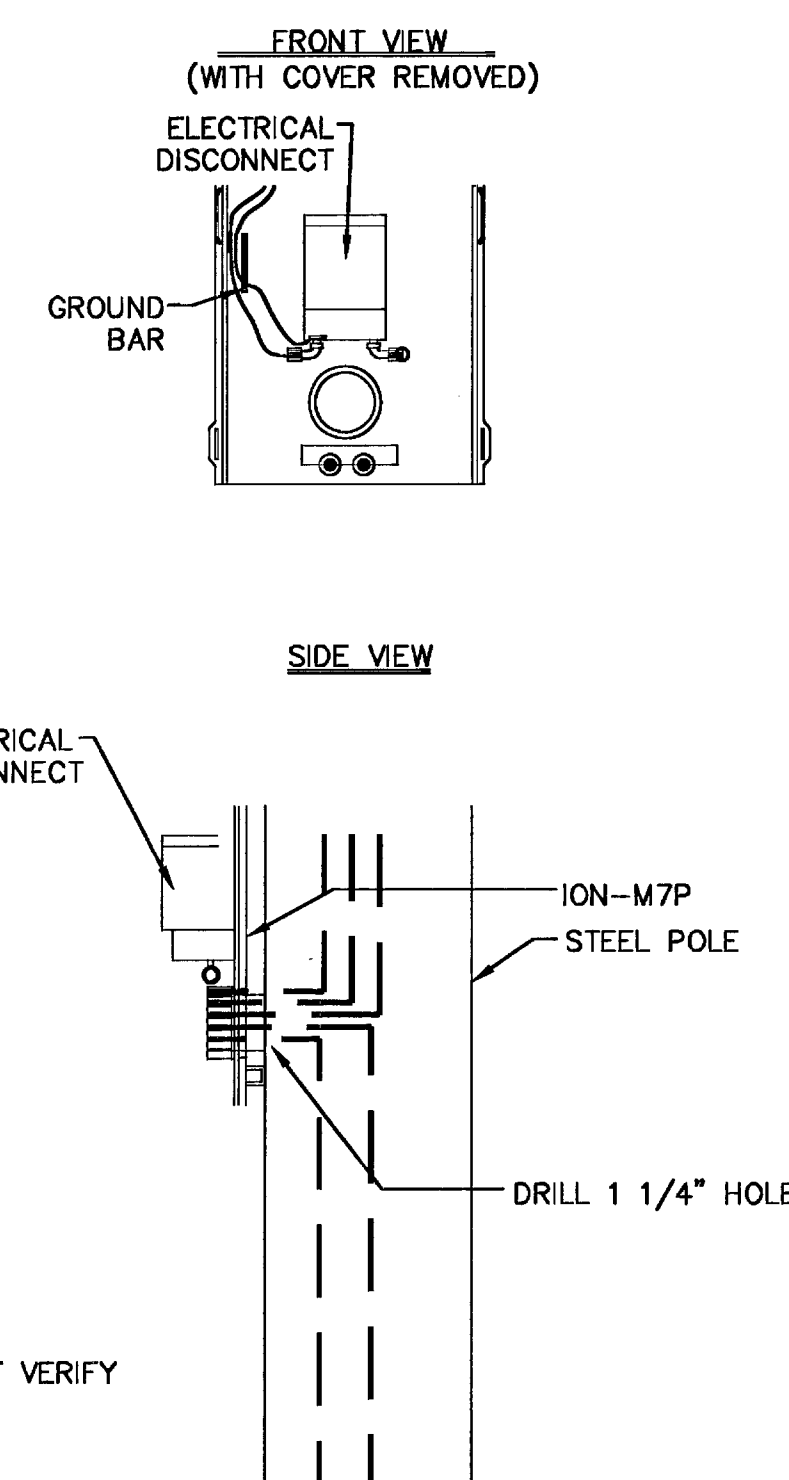


NOTE:
NO NEW CONDUIT MAY BE INSTALLED IN EXISTING
STREETLIGHT FOUNDATION, BASE AND CRASH CAP

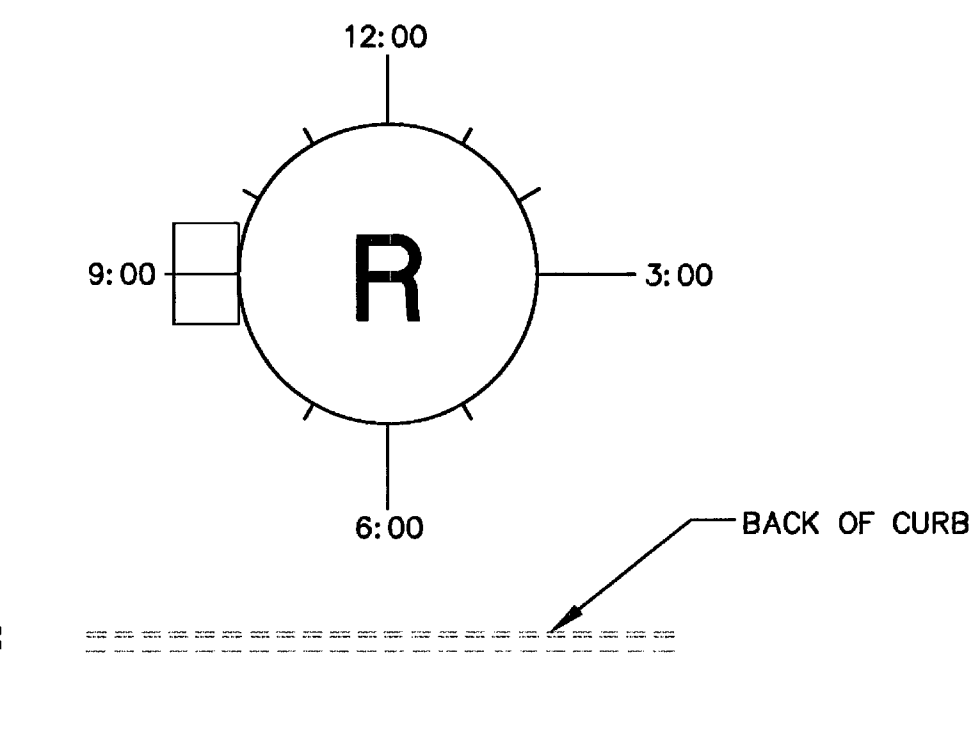
INTERCEPT EXISTING CONDUIT FROM EXISTING
METER PEDESTAL TO EXISTING STREET LIGHT
EXISTING POWER STREET LIGHTS MYERS CABINET
@ 71 PARK VISTA DR. PLACE NEW CIRCUIT
BREAKER 120 / 240 VAC, 10A IN PANEL



VICINITY MAP
NTS



HOLE DETAIL
NTS (2)



FIBER POLE DETAIL
NTS (1)

REV.	DESCRIPTION	APPROVED BY	DATE

SPECTRUM SPECTRUM SERVICES, INC. 8905 W. POST ROAD, SUITE 100 LAS VEGAS, NEVADA 89148 OFFICE: (702) 367-7705 FAX: (702) 367-8733	
CROWN CASTLE NG WEST, INC. 685 RIVER OAKS PARKWAY SAN JOSE, CALIFORNIA 95134	
IMPROVEMENT PLANS FOR SUMMERLIN PROFILES VFH01 FIBER OPTIC CABLE IMPROVEMENTS IN SUMMERLIN INTERSECTION OF VISTA RUN DR. AND SKY LN.	
ENGINEER'S SEAL	
CONTRACTED WITH: HP COMMUNICATIONS	PERMIT #: DATE: 12/10/13
JOB NO.: CD13030	DRAWN BY: NEL
CHECKED BY: RAS	SCALE: NONE
SHEET 4 OF 7	1/13/14