

FF=96.50±

FF=87.50±

EXISTING
RESIDENTIAL
R-1
FF=83.50±

FF=78.50±

FF=97.50±

FF=97.50±

FF=96.50±

FF=95.50±

FF=95.50±

FF=95.00±

BUILDING
FF=86.30

BUILDING
L
FF=84.80

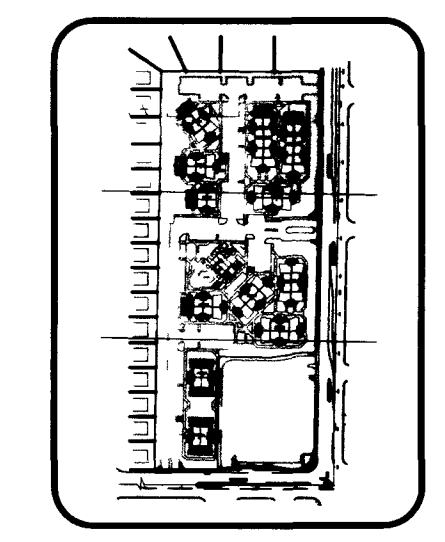
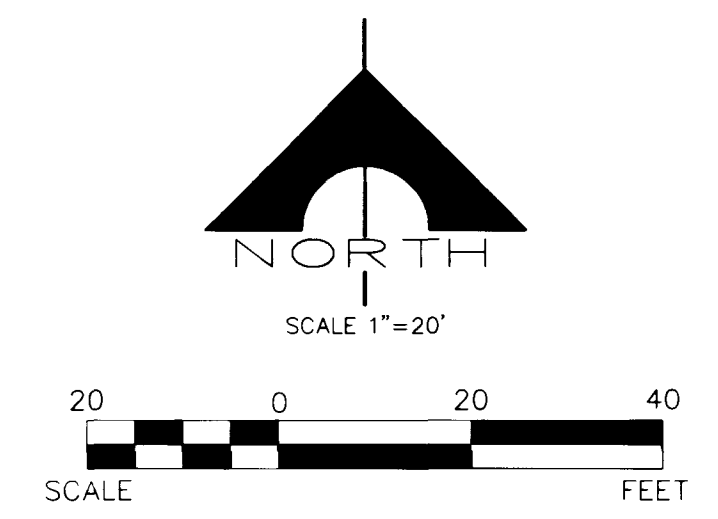
BUILDING
K
FF=84.60

BUILDING
H
FF=86.00

BUILDING
G
FF=85.7

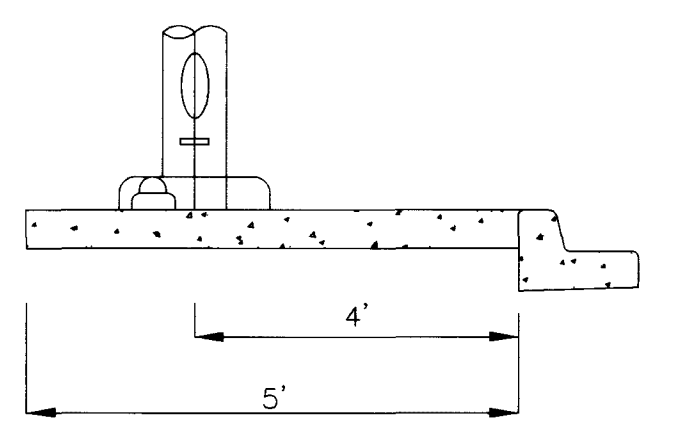
BUILDING
J
FF=83.40

MATCH LINE
SEE SHEET C8



LEGEND
 FIRE LANE
 PAINT FIRE LANE RED WITH STENCIL

24" SSCP MAIN
 STEEL CYL 0.10462 GA
 3/4" COATING
 3/4" LINING
 ROD REINFORCING SPIRAL WRAP
 ON 1-1/2" CENTERS



STREET LIGHT LOCATION
 STREET LIGHT NOTE
 ALL HAND HOLE COVERS MUST BE INSTALLED, POLE CAPS POURED, & PULL BOX LIDS BOLTED DOWN PRIOR TO ENERGIZING CIRCUIT. ALL WIRE MUST HAVE THW INSULATION PER CITY OF LAS VEGAS

NOTE 1
 CONTRACTOR IS RESPONSIBLE FOR STRINGING OVERHEAD CABLE FROM THE EXISTING SPLICE BOX APPROXIMATELY 660-FT NORTH OF THE RITE-AID PROPERTY LINE ON JONES BLVD TO THE CONTROLLER CABINET AT JONES/VEGAS. WHEN THE SPAN WIRE IS IN PLACE ON THE EXISTING LIGHT POLES AND CONTRACTOR IS READY TO RELOCATE INTERCONNECT CABLE, CONTACT LVACTS AT 229-6611. LVACTS WILL SET DATE AND TIME (AFTER MIDNIGHT) OF TRANSFER. CABLE MUST BE OPERATIONAL PRIOR TO 7:00 AM OF THIS SAME DAY. THE SAME PROCESS WILL BE FOLLOWED WHEN CONNECTION THE NEW CABLE UNDERGROUND (EXISTING CABLE WILL NOT REACH - NEW CABLE MUST BE RUN) TO THE CONTROLLER AND DISCONNECTING THE OVERHEAD

NOTE 1 FOR ALL WATER & SEWER CONSTRUCTION
 NOTES & APPROVALS SEE SHEET C10

NOTE 2 INTERCEPT EXISTING CONDUIT FOR INTERCONNECT CABLE TO BE BACKPULLED TO THIS LOCATION AFTER DISCONNECTING FROM THE CABINET

DATE: 5/10/10
 LVVWD: [Signature]
 DATE: [Signature]

Call before you Dig.
 1-800-227-2600
 UNDERGROUND SERVICE (USA)

CALL BEFORE YOU DO OVERHEAD
 1-702-593-6111

STA 135+81.217 (NDOT)
 STA 77+38.04
 PL
 EXISTING STREET LIGHT CONDUIT (1 1/2") AND EXISTING INTERCONNECT CONDUIT (2") & CABLE (VITAL TO EXISTING TRAFFIC SIGNAL OPERATIONS)
 SEE NOTE 2 THIS SHEET
 CRASH GATE
 EXISTING STREET LIGHT CONDUIT (1 1/2") AND EXISTING INTERCONNECT CONDUIT (2") & CABLE (VITAL TO EXISTING TRAFFIC SIGNAL OPERATIONS)
 50.00' 1/2 ROW
 50.00' 1/2 ROW
 30.00' 1/2 ROW
 50.00' (24" SSCP W)
 135+00
 (NDOT)
 STA 134+71.986 (NDOT)
 STA 73+79.67
 INSTALL FH ASSY

VINTAGE DESERT ROSE SENIORS APARTMENTS, LP
 2440 PROFESSIONAL DRIVE, SUITE 100
 MOSE WILLE, CO 95661
 PHONE (916) 773-6860
 FAX (916) 773-6866

DESIGNED BY WLW
CHECKED BY WLW
DATE
DATE
DATE

SCALE: 1"=20'
DRAWN BY
THC
DESIGNED BY WLW
CHECKED BY WLW
DATE
DATE
DATE

REVISION APPROVAL BLOCK

| REV # | BY | DATE | DESCRIPTION |
|-------|-----|----------|---|
| 1 | CCY | 12.18.09 | BLDG. RITE-AID ADJUST LOCATION OF FIRE LANE ACCORDINGLY |
| 2 | WLW | 4.21.10 | Water & Sewer Lines Modified |
| 3 | WLW | 4.21.10 | Hold Sheet C10 |
| 4 | WLW | 4.21.10 | APP |

VINTAGE DESERT ROSE SENIORS APARTMENTS, LP
UTILITY PLAN 1

THE CW GROUP
 CIVIL ENGINEERS
 2680 Chandler Ave. Suite 5
 Las Vegas, Nevada 89120
 Ph: (702)798-8545
 Fax: (702)798-8636

PROFESSIONAL ENGINEER-STATE OF NEVADA
DAVID L. WATKINS
 5-10-60
 CIVIL
 No. 1407

SHEET C7
 7 OF 16 SHEETS
 DRAWING NO
 107-V3195
 REPOST