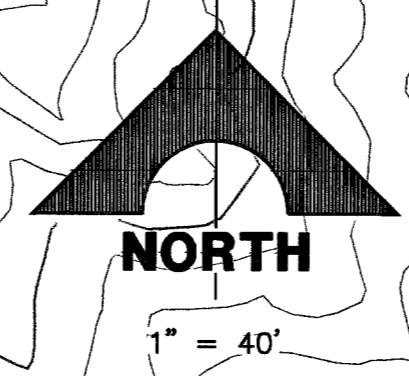
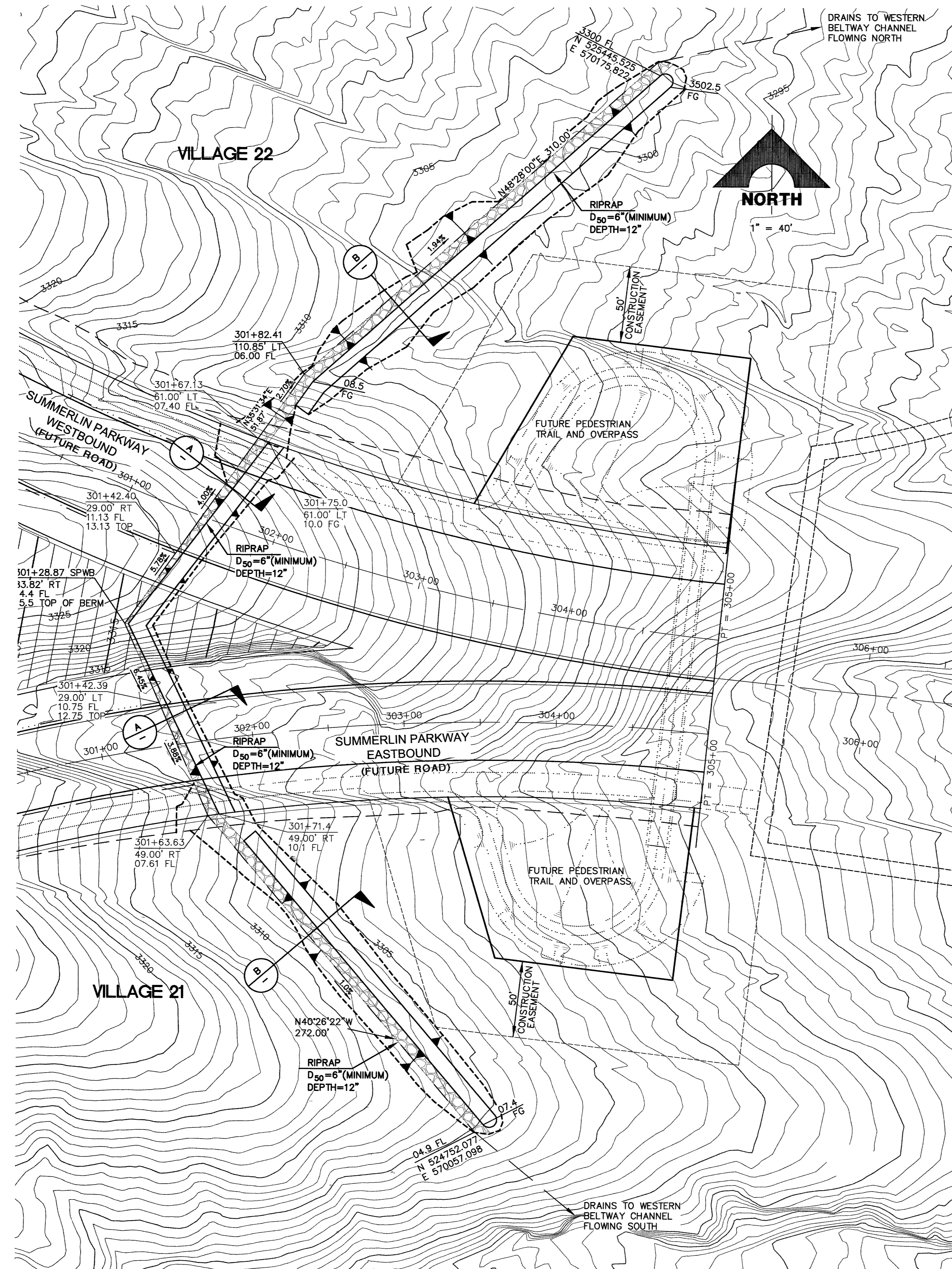


DESIGN: GTP	DATE: 04-07-07
DRAWN: _____	REV: _____
CHECK: _____	DATE: _____
ISSUE DATE: _____	DESCRIPTION: _____
ISSUE EDITOR: _____	DATE: _____
PLOT TIME: 13:21:48	DATE: _____

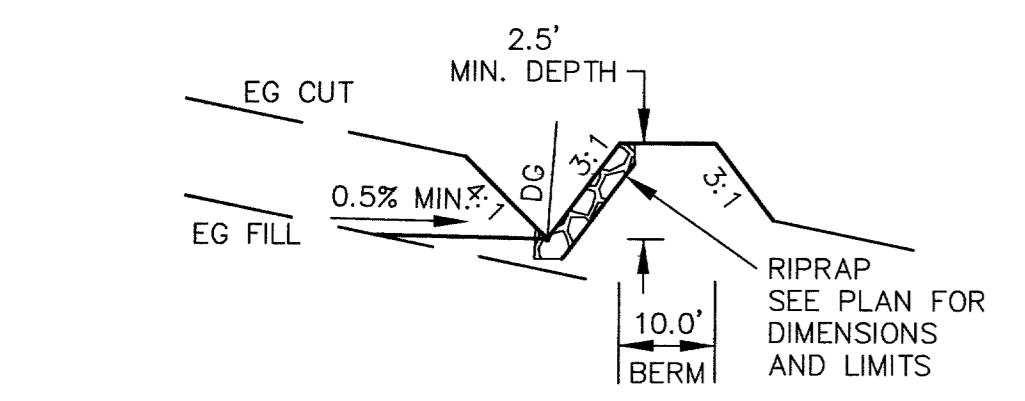
G. C. WALLACE COMPANIES
 ENGINEERS | PLANNERS | SURVEYORS
 1555 S. RAINBOW BOULEVARD, LAS VEGAS, NV 89146
 T: 702.804.2000 F: 702.804.2299 GCWALLACE.COM

SUMMERLIN
 VILLAGES 21 AND 22 3650 ZONE 24' WATERLINE IMPROVEMENT PLAN
 GRADING AND DRAINAGE
 IMPROVEMENT DETAILS IV

DRAWING
95
 CLV DRAWING NO. 107Y4949-W
 41 OF 58 SHEETS

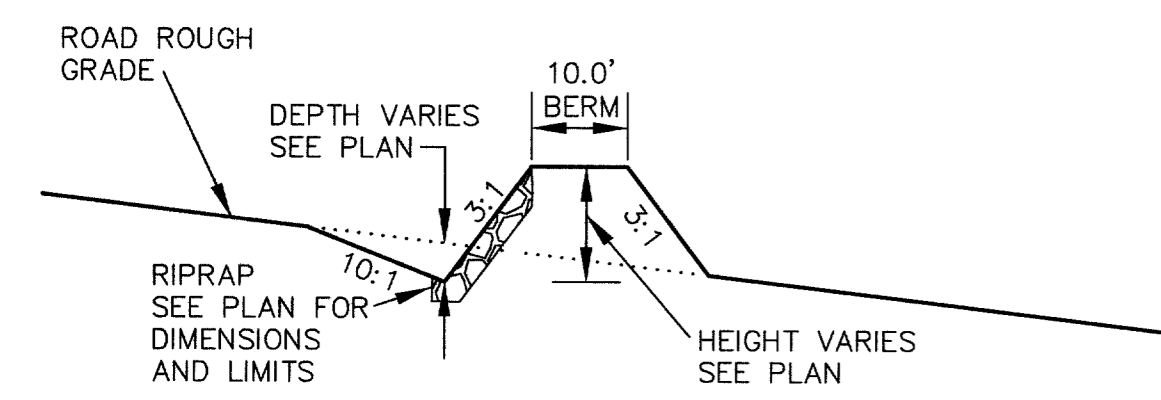


BENCHMARK			
CLV BM NO.	DESC.	NAVD 88 DATUM (FEET)	NAVD 88 DATUM (METERS)
D368 3	U.S.C. & G.S. BRASS DISC SET IN ROCK ON THE EAST SIDE OF CHARLESTON BOULEVARD AND SOUTH OF THE RED ROCK DETENTION BASIN.	3246.71	989.599



INTERIM DRAINAGE DIVERSION BERM SECTION

SCALE: HORIZ. 1"=20'
 VERT. 1"=5'



ROAD DRAINAGE DIVERSION BERM SECTION

SCALE: HORIZ. 1"=20'
 VERT. 1"=5'

BASIS OF BEARINGS
 NORTH 89°45'05" EAST BEING THE SOUTH LINE OF THE SOUTHWEST QUARTER (SW 1/4) OF SECTION 35, TOWNSHIP 20 SOUTH, RANGE 59 EAST, M.D.M., AS SHOWN BY MAP ON FILE IN FILE 91, PAGE 28 OF PARCEL MAPS IN THE CLARK COUNTY RECORDER'S OFFICE, CLARK COUNTY, NEVADA

NOTE
 THIS SET OF DRAWINGS IS BASED UPON NAVD 88 DATUM. PREVIOUS DRAWINGS MAY BE BASED ON OTHER DATUM. CARE SHOULD BE OBSERVED WHEN UTILIZING THIS SET OF DRAWINGS.

Avoid cutting underground utility lines. It's costly.
Call before you Dig.
 1-800-227-2600
 UNDERGROUND SERVICE ALERT (USA)

Avoid hitting overhead power lines. It's costly.
CALL BEFORE YOU DO OVERHEAD.
 CALL 1-702-593-6111

102480

H19024

JOB NO. 62052.225