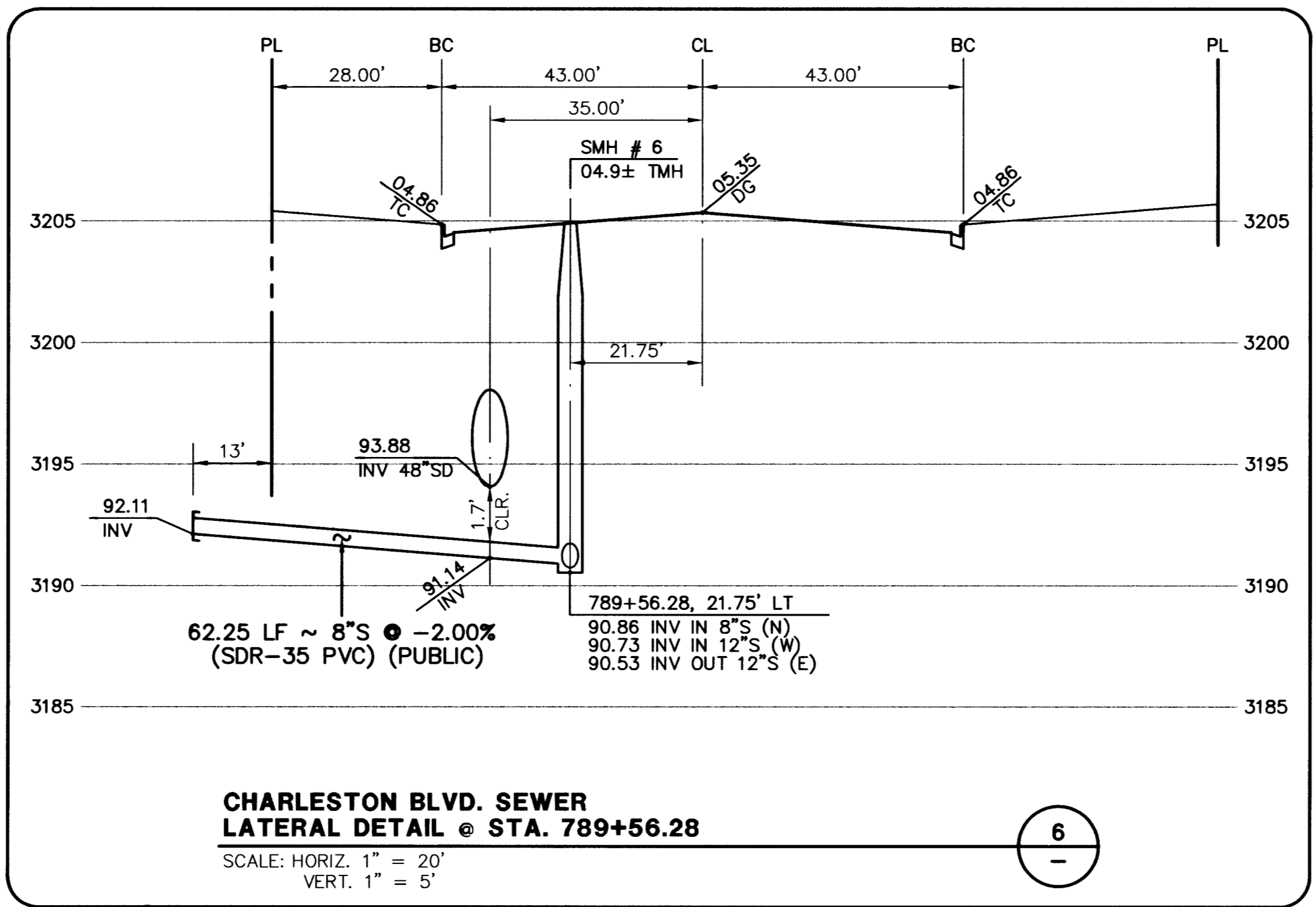


**CHARLESTON BLVD. STORM DRAIN  
LATERAL DETAIL @ STA. 776+49.82**

SCALE: HORIZ. 1" = 20'  
VERT. 1" = 5'

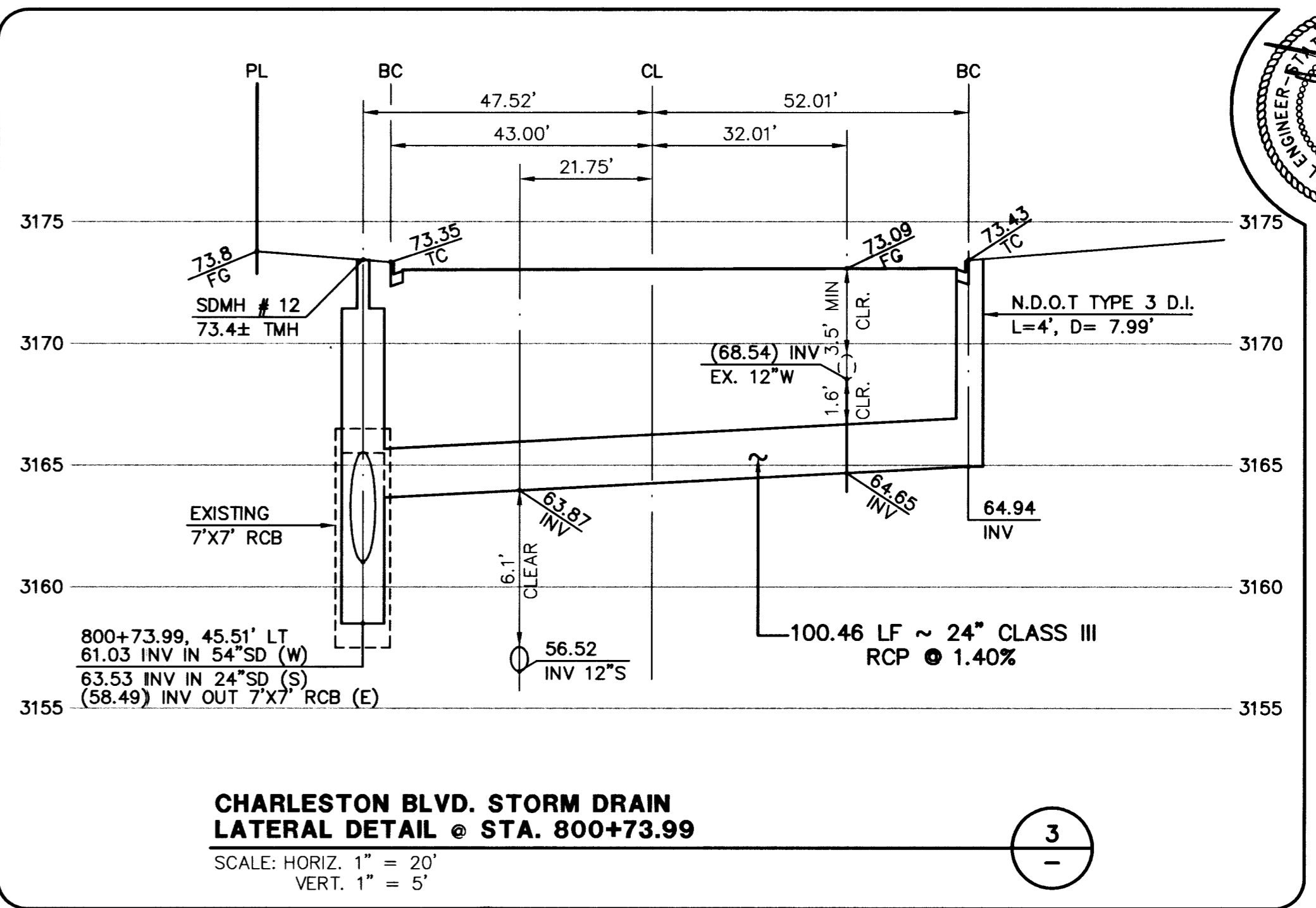
9



**CHARLESTON BLVD. SEWER  
LATERAL DETAIL @ STA. 789+56.28**

SCALE: HORIZ. 1" = 20'  
VERT. 1" = 5'

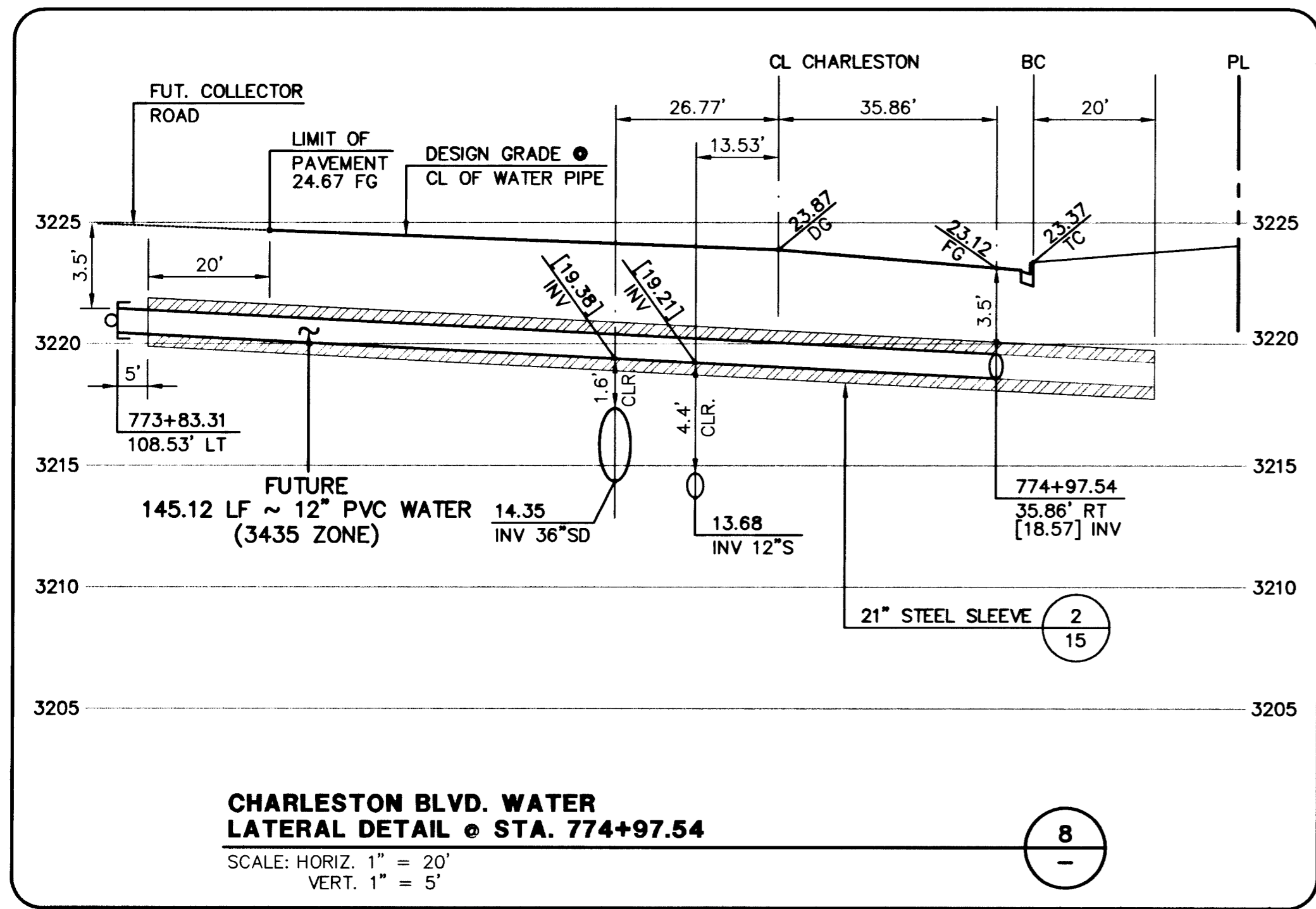
6



**CHARLESTON BLVD. STORM DRAIN  
LATERAL DETAIL @ STA. 800+73.99**

SCALE: HORIZ. 1" = 20'  
VERT. 1" = 5'

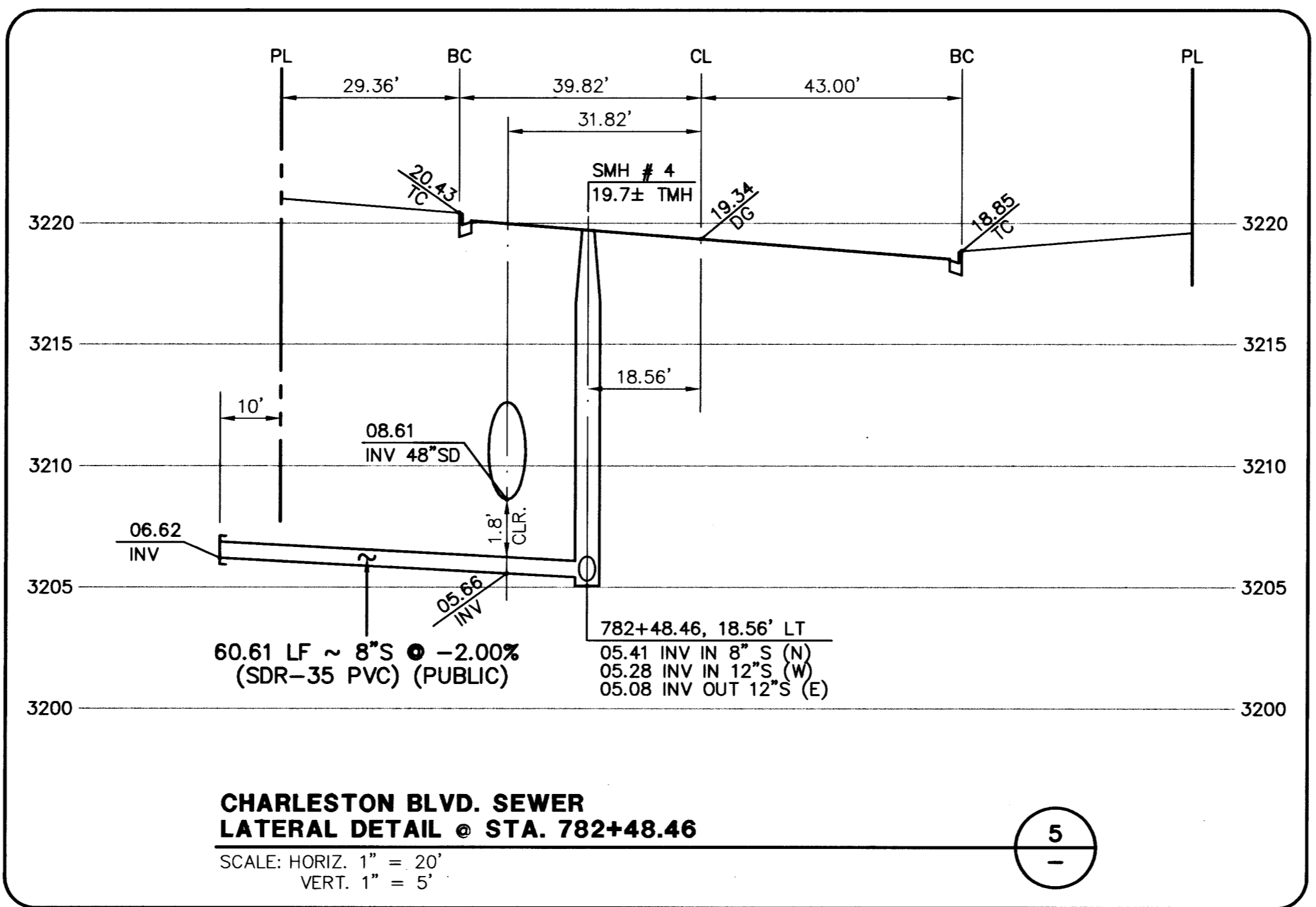
3



**CHARLESTON BLVD. WATER  
LATERAL DETAIL @ STA. 774+97.54**

SCALE: HORIZ. 1" = 20'  
VERT. 1" = 5'

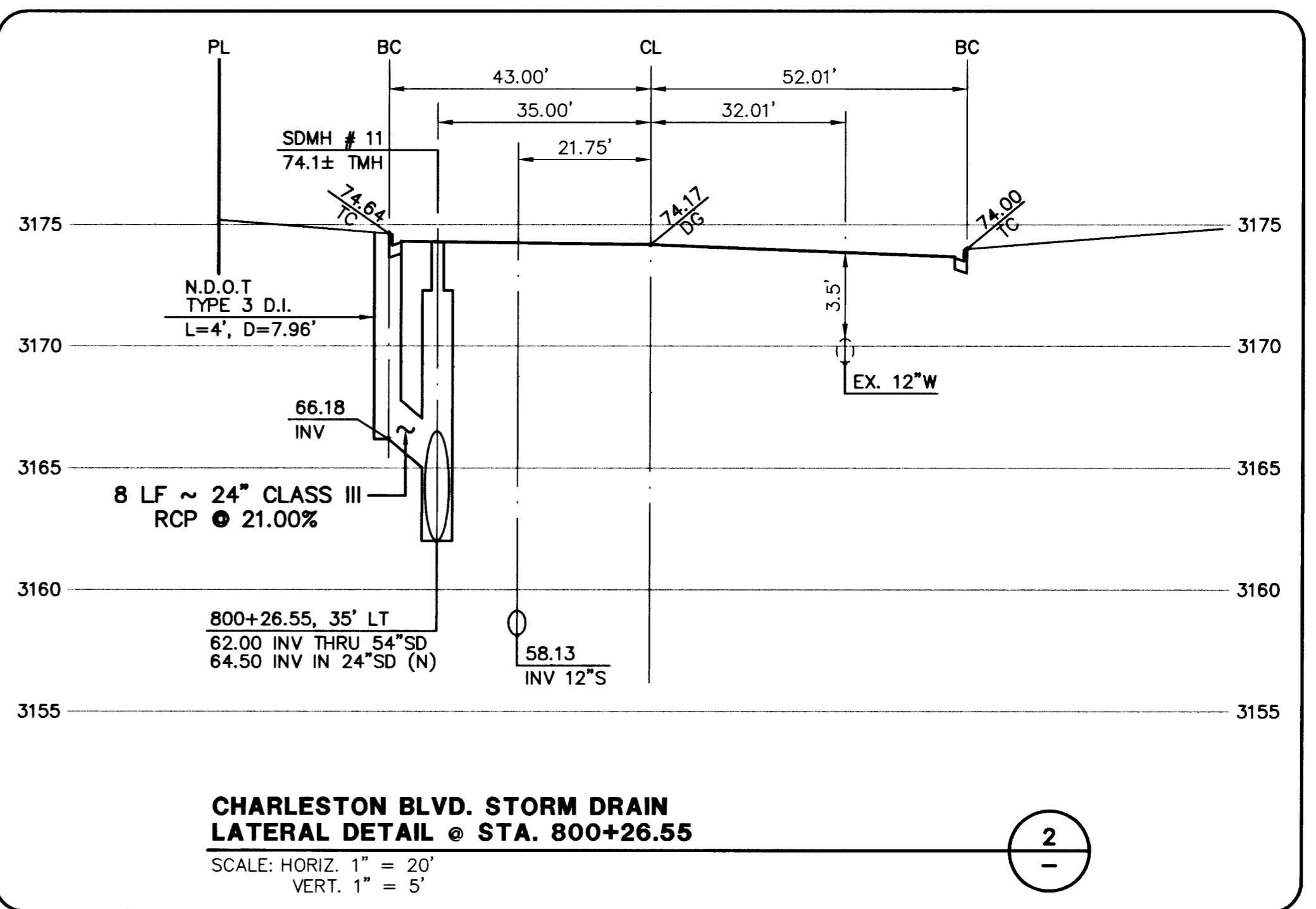
8



**CHARLESTON BLVD. SEWER  
LATERAL DETAIL @ STA. 782+48.46**

SCALE: HORIZ. 1" = 20'  
VERT. 1" = 5'

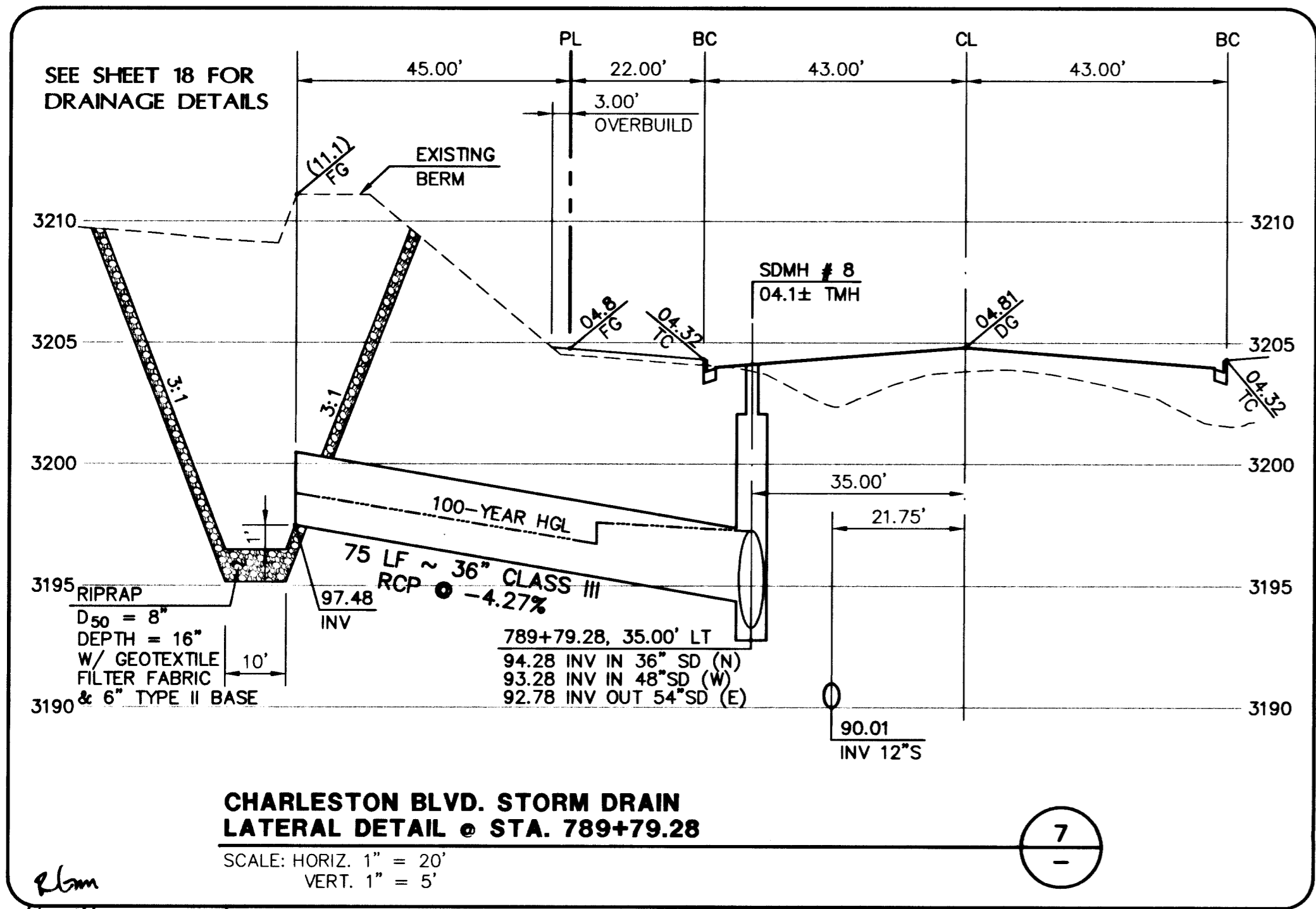
5



**CHARLESTON BLVD. STORM DRAIN  
LATERAL DETAIL @ STA. 800+26.55**

SCALE: HORIZ. 1" = 20'  
VERT. 1" = 5'

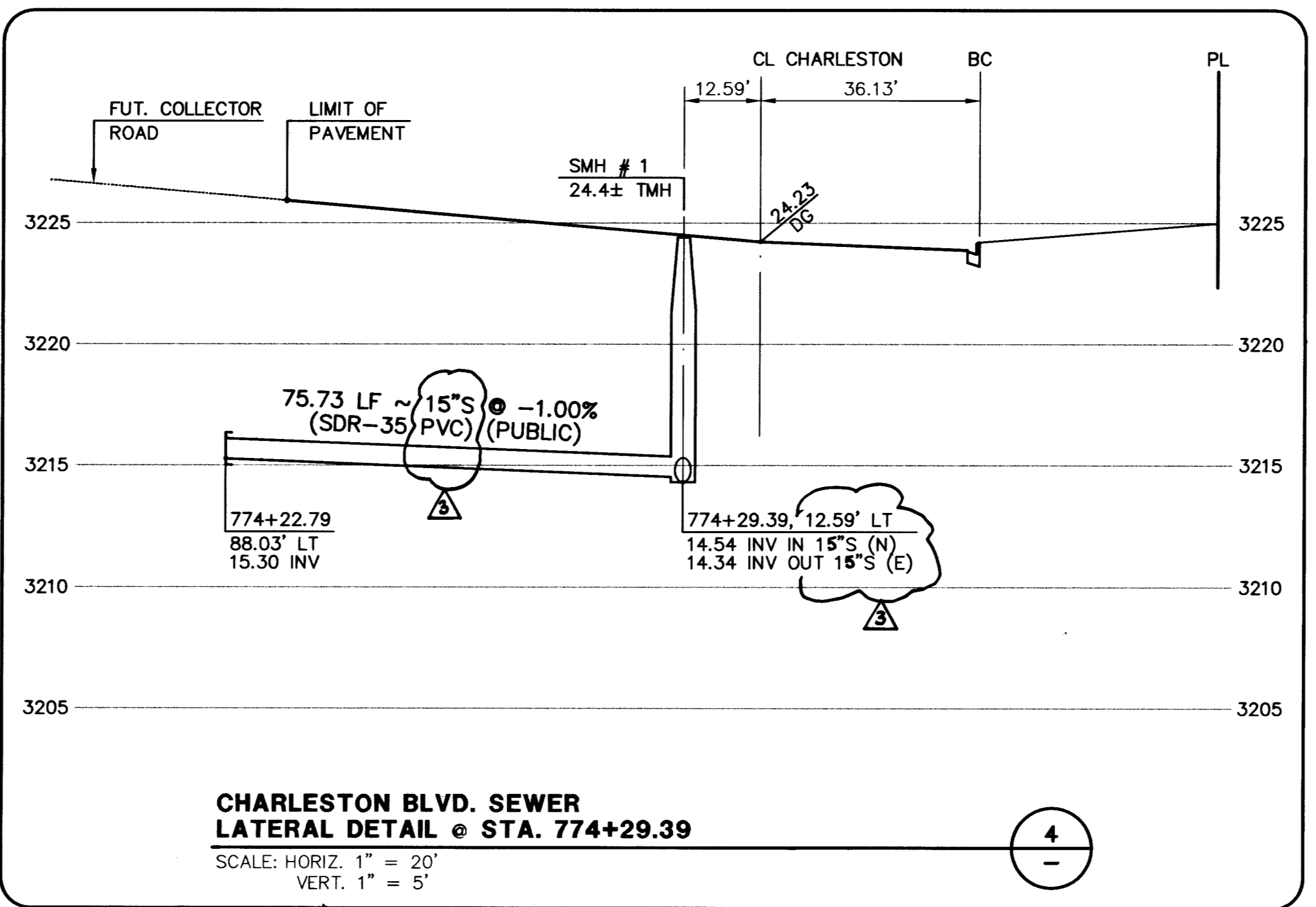
2



**CHARLESTON BLVD. STORM DRAIN  
LATERAL DETAIL @ STA. 789+79.28**

SCALE: HORIZ. 1" = 20'  
VERT. 1" = 5'

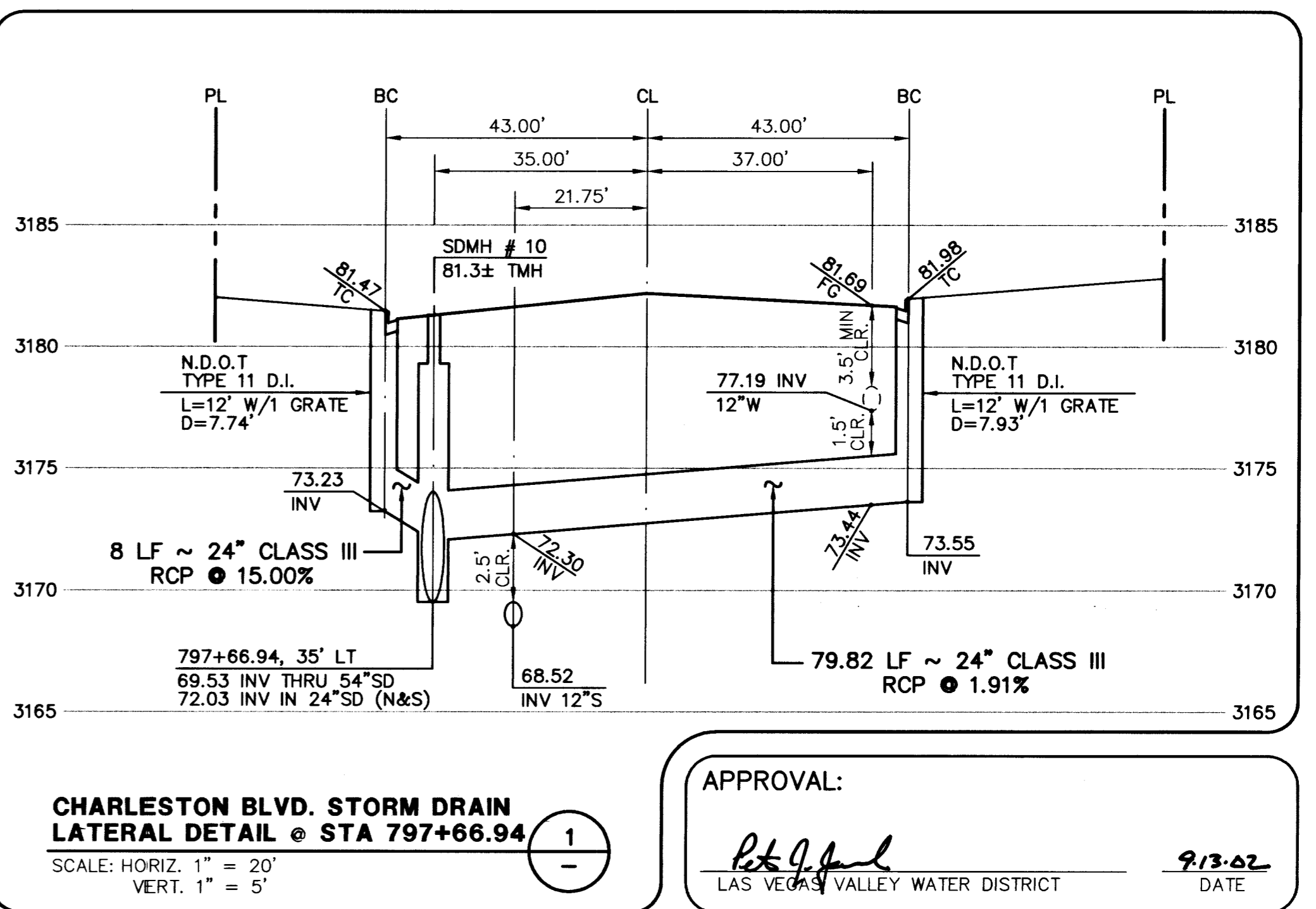
7



**CHARLESTON BLVD. SEWER  
LATERAL DETAIL @ STA. 774+29.39**

SCALE: HORIZ. 1" = 20'  
VERT. 1" = 5'

4

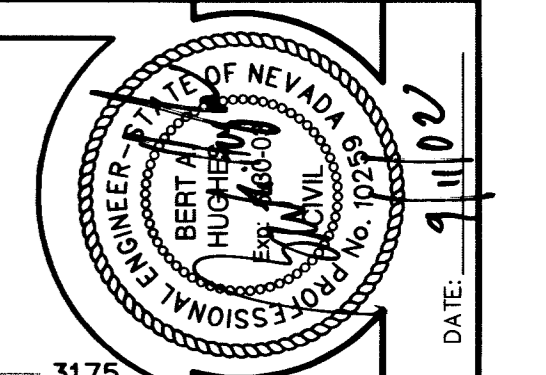


**CHARLESTON BLVD. STORM DRAIN  
LATERAL DETAIL @ STA. 797+66.94**

SCALE: HORIZ. 1" = 20'  
VERT. 1" = 5'

1

APPROVAL:  
*[Signature]*  
LAS VEGAS VALLEY WATER DISTRICT  
DATE: 9/13/02



DESIGN: *[Signature]*  
DRAWN: *[Signature]*  
CHECK: *[Signature]*  
ISSUE DATE: 09-11-02  
ISSUE EDITOR: *[Signature]*  
PLOT DATE: 09-11-02  
PLOT TIME: 15:08:27  
DESCRIPTION: LATERAL PROFILES  
DATE: 09-11-02

**G.C. WALLACE, INC.**  
Engineers/Planners/Surveyors  
1555 SOUTH RAINBOW BLVD., LAS VEGAS, NEVADA 89146  
OFFICE: (702) 804-2000, FAX: (702) 804-2299  
SUMMERLIN OFFICE: 10000 CHARLESTON BLVD., STE. 130  
OFFICE: (702) 804-2180, FAX: (702) 804-2285  
F:\V23\Chorleston\wg\mga\V2303c13.dwg

**SUMMERLIN**  
VILLAGE 19/29A CHARLESTON BOULEVARD IMPROVEMENTS  
LATERAL PROFILES  
SHEET 13  
OF 21 SHEETS  
OB NO. 62023.240