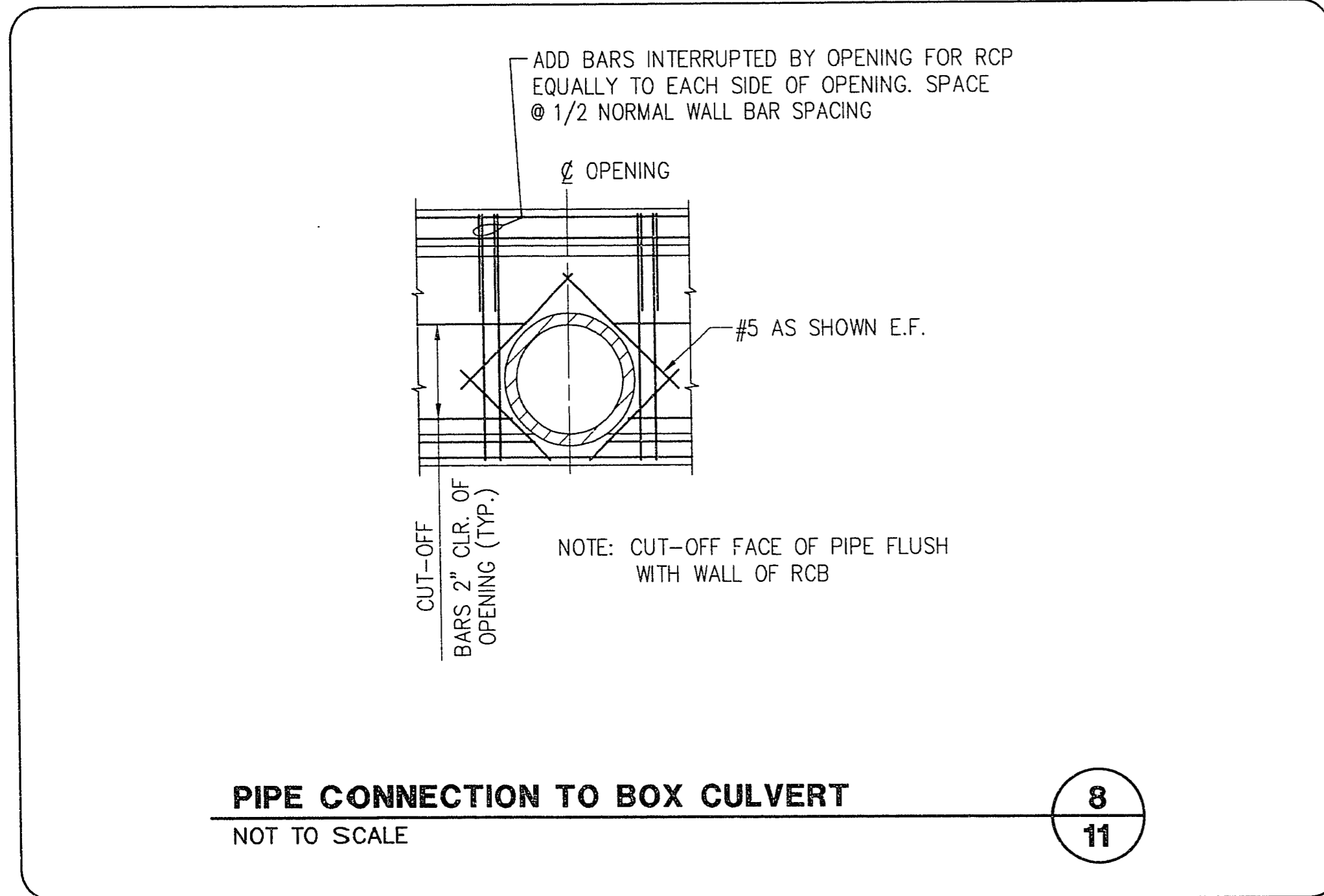


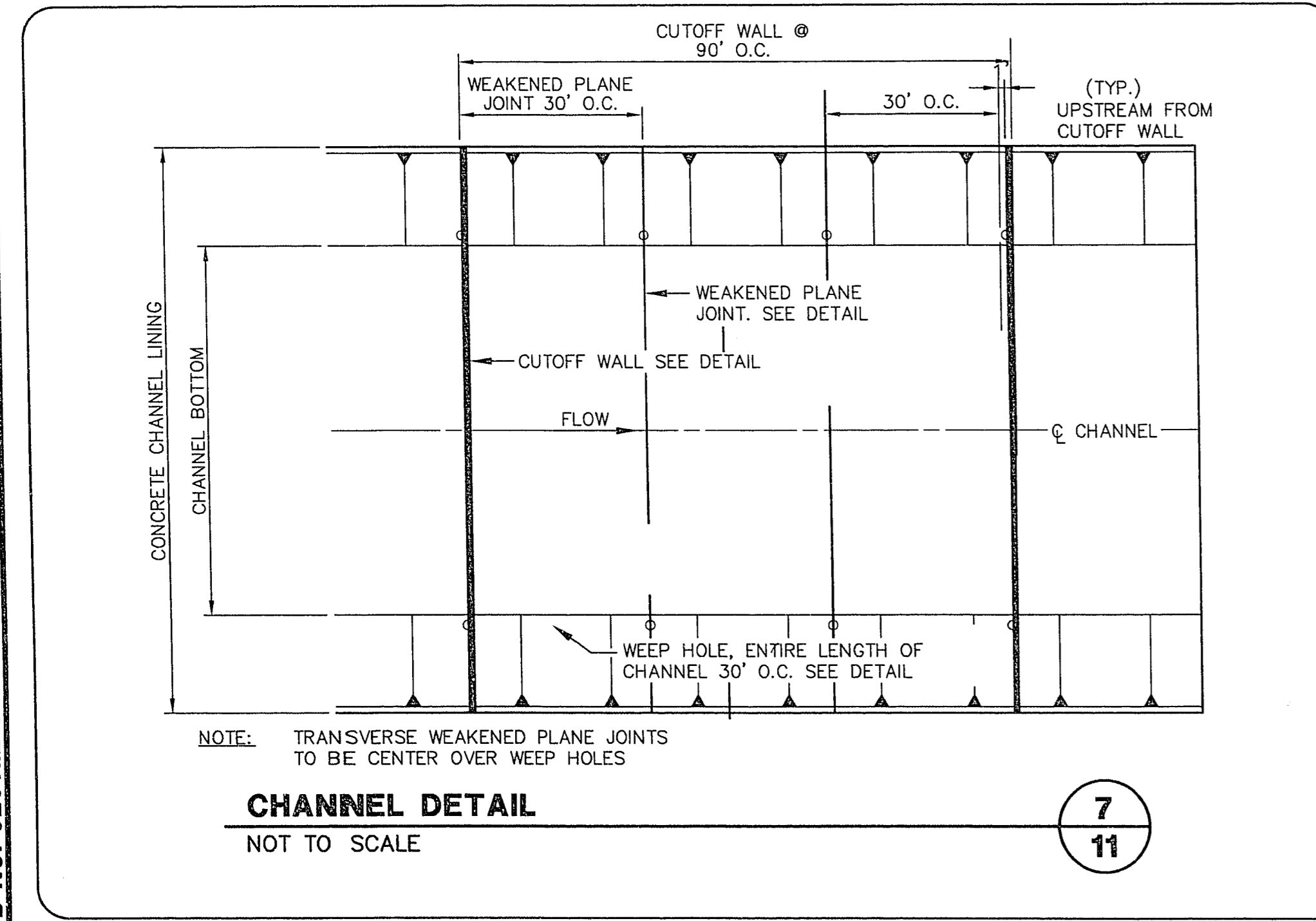
EXISTING CHANNEL JOINT DETAIL
NOT TO SCALE

9
11



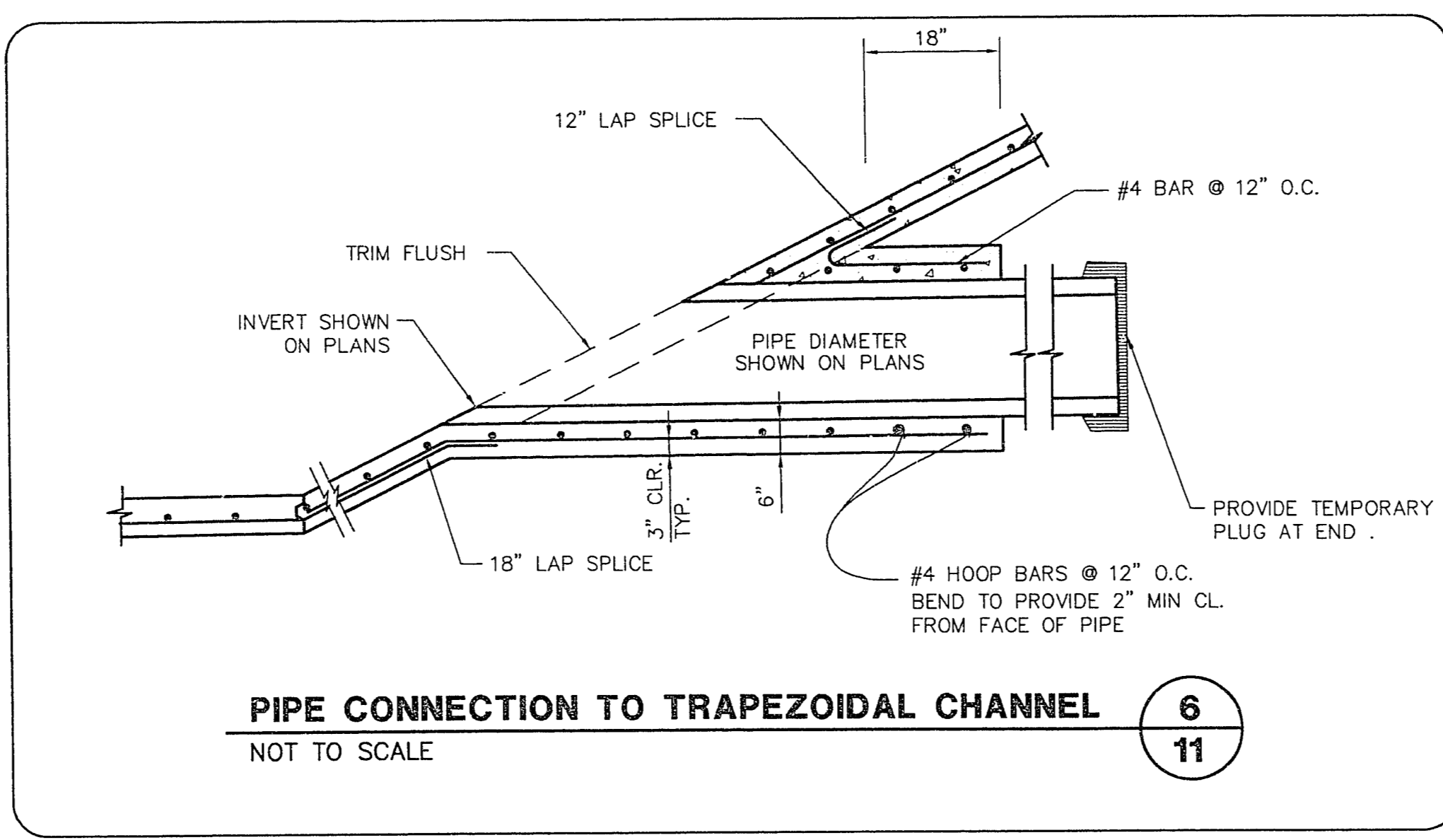
PIPE CONNECTION TO BOX CULVERT
NOT TO SCALE

8
11



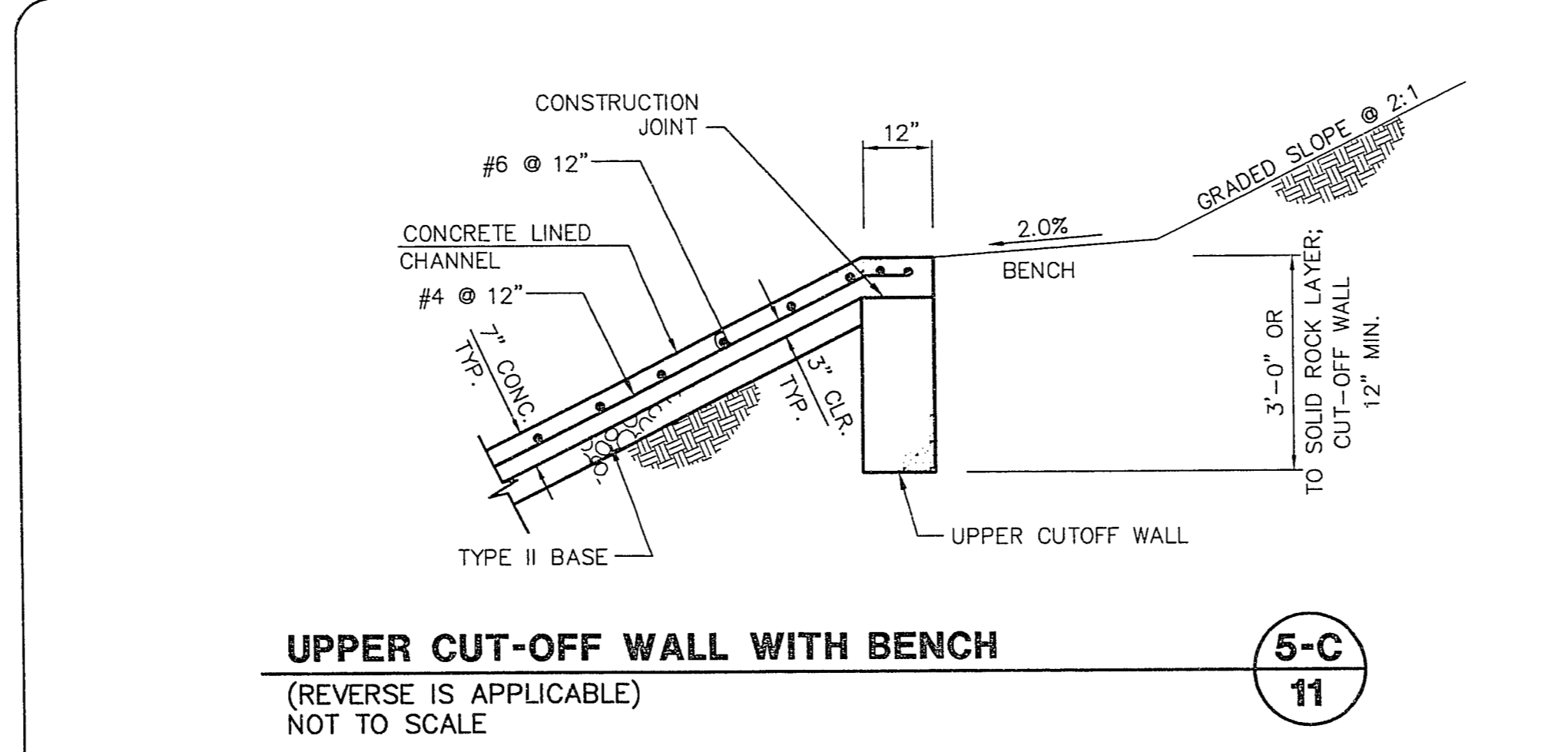
CHANNEL DETAIL
NOT TO SCALE

7
11



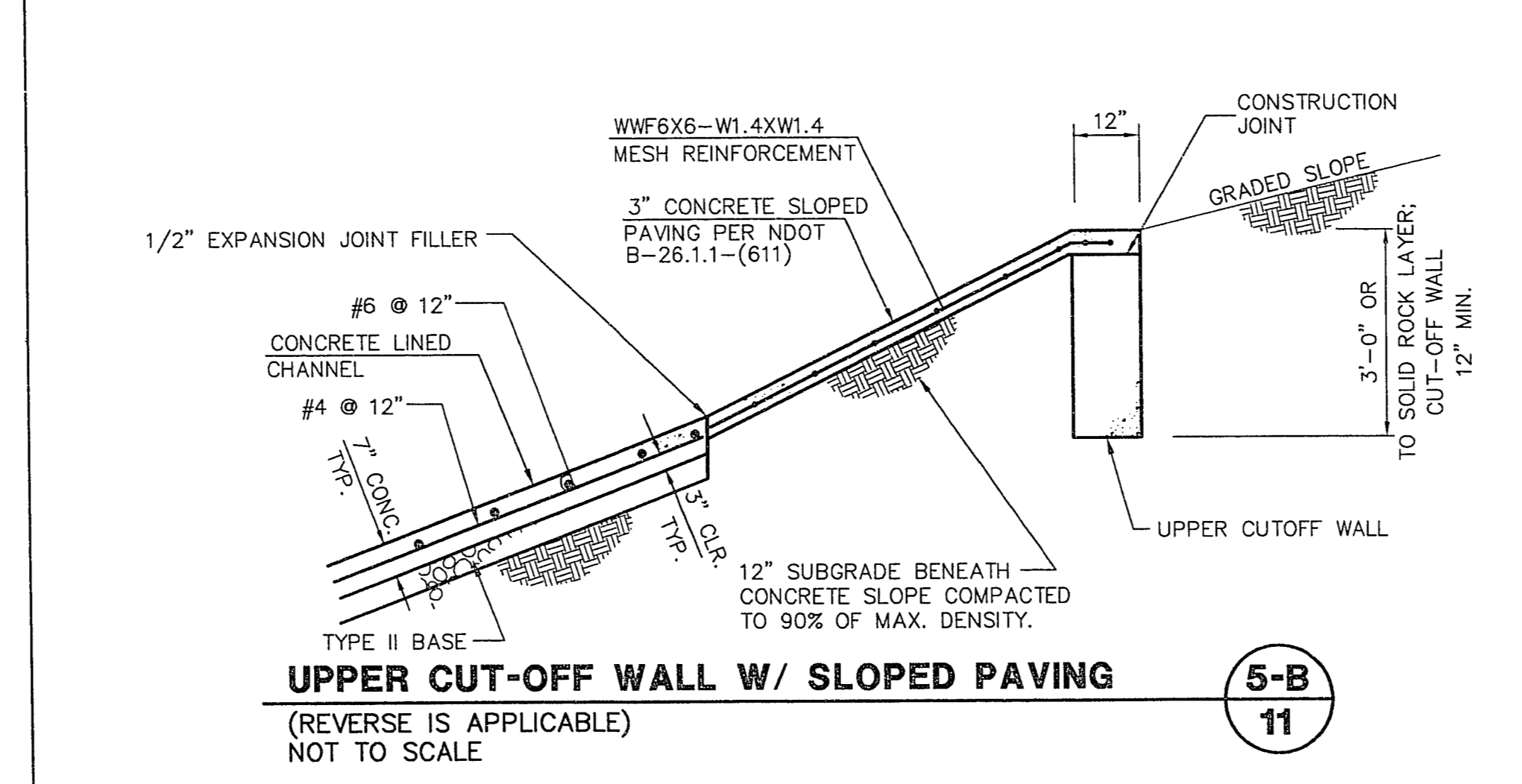
PIPE CONNECTION TO TRAPEZOIDAL CHANNEL
NOT TO SCALE

6
11



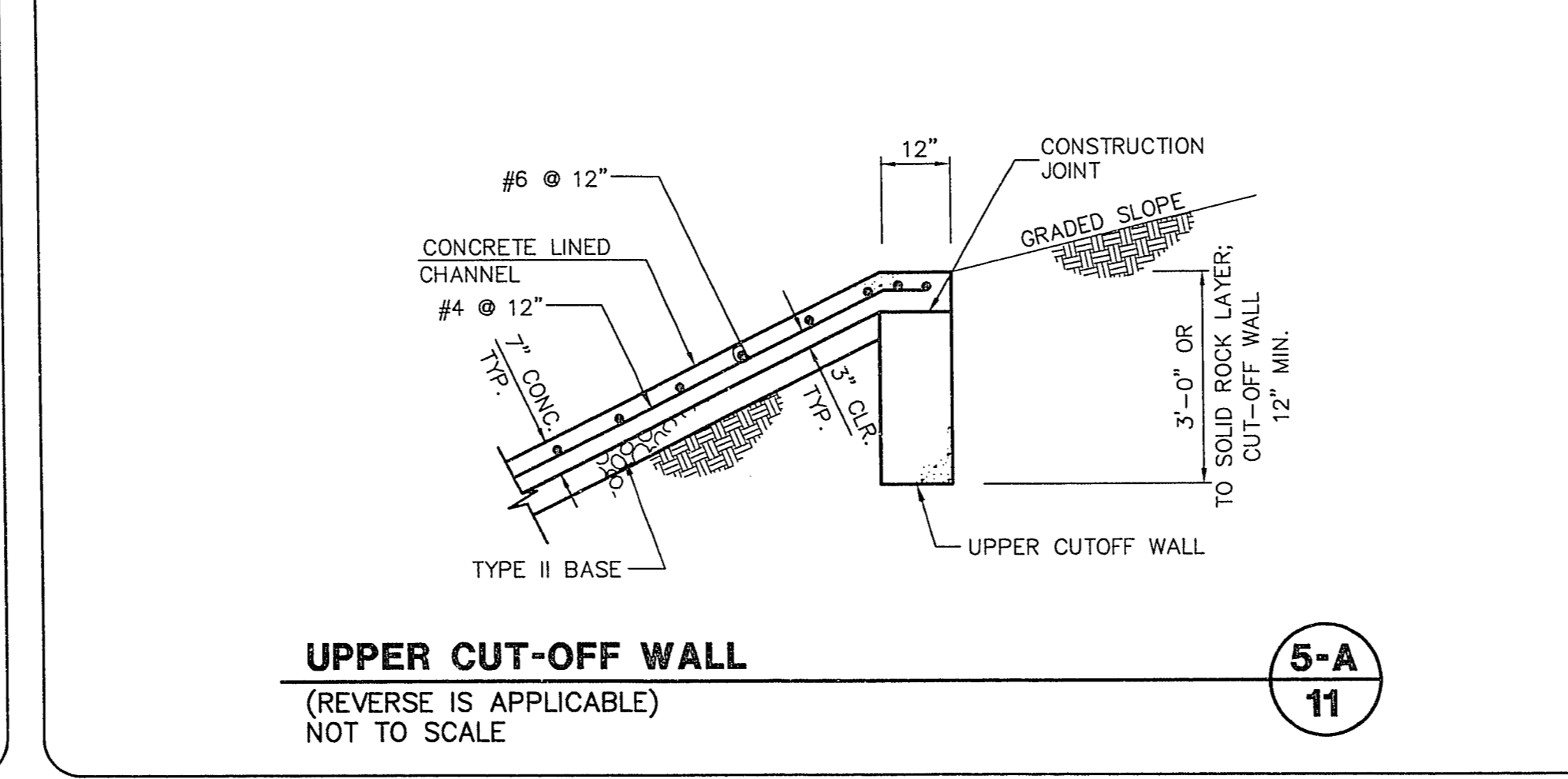
UPPER CUT-OFF WALL WITH BENCH
(REVERSE IS APPLICABLE)
NOT TO SCALE

5-C
11



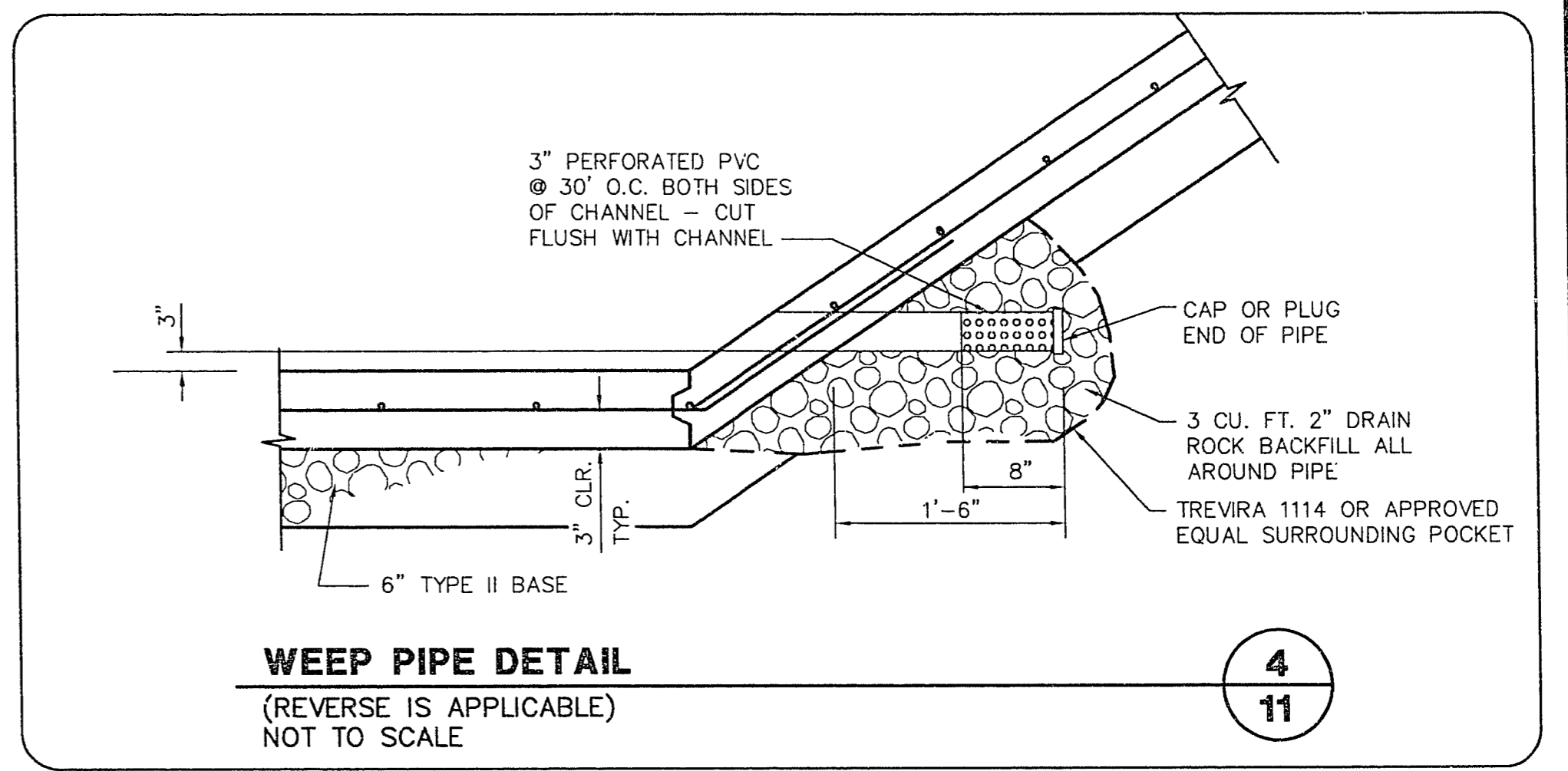
UPPER CUT-OFF WALL W/ SLOPED PAVING
(REVERSE IS APPLICABLE)
NOT TO SCALE

5-B
11



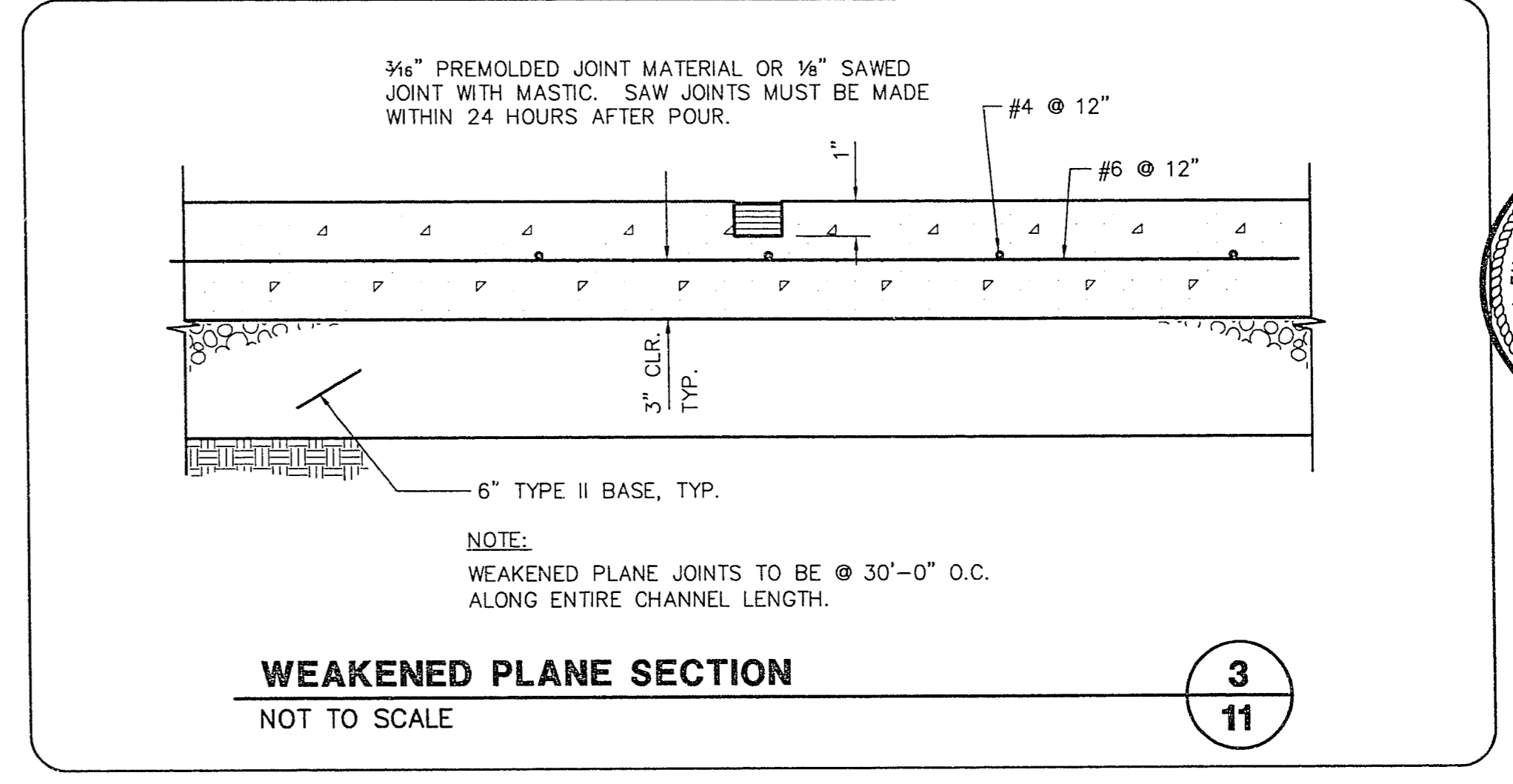
UPPER CUT-OFF WALL
(REVERSE IS APPLICABLE)
NOT TO SCALE

5-A
11



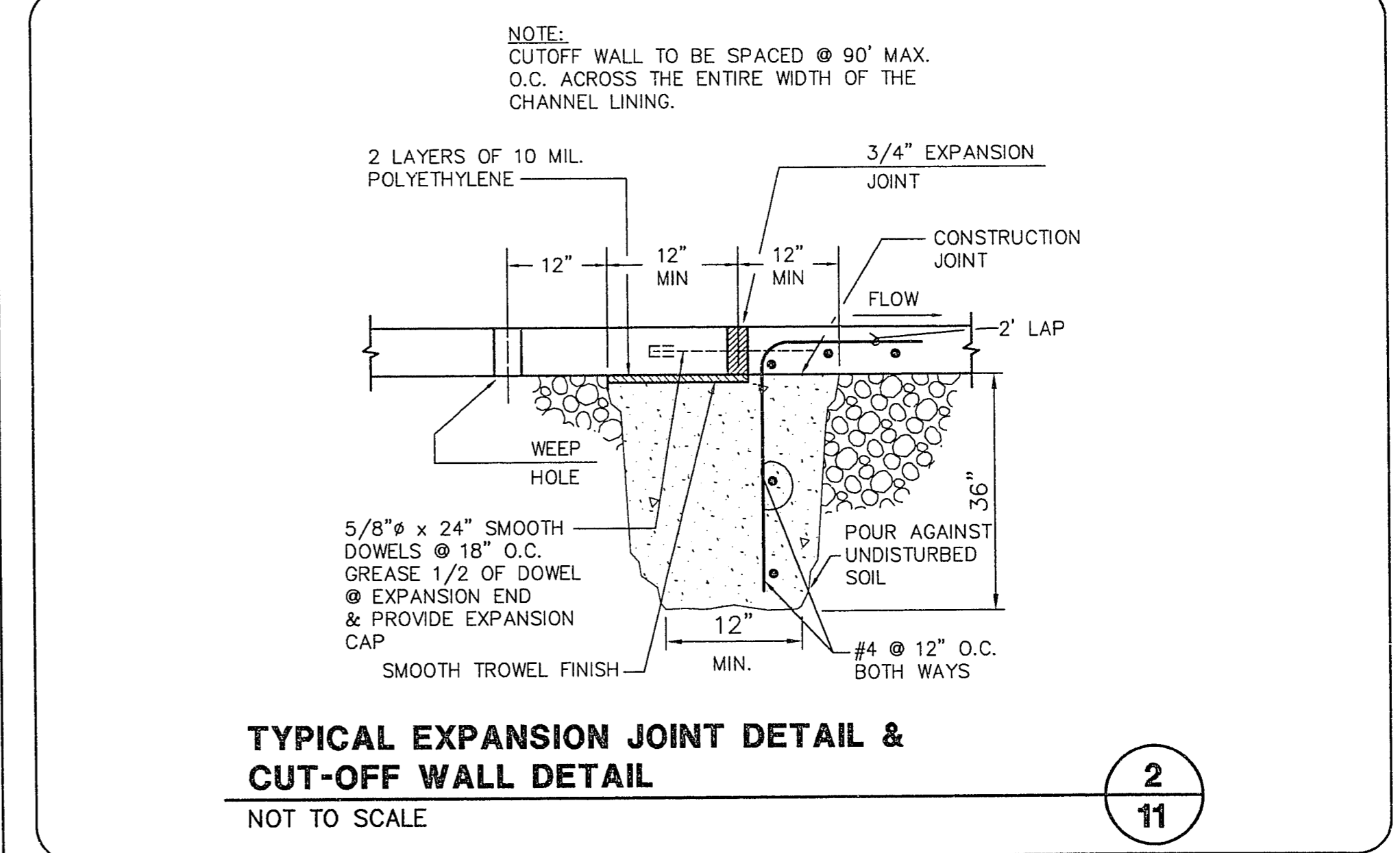
WEEP PIPE DETAIL
(REVERSE IS APPLICABLE)
NOT TO SCALE

4
11



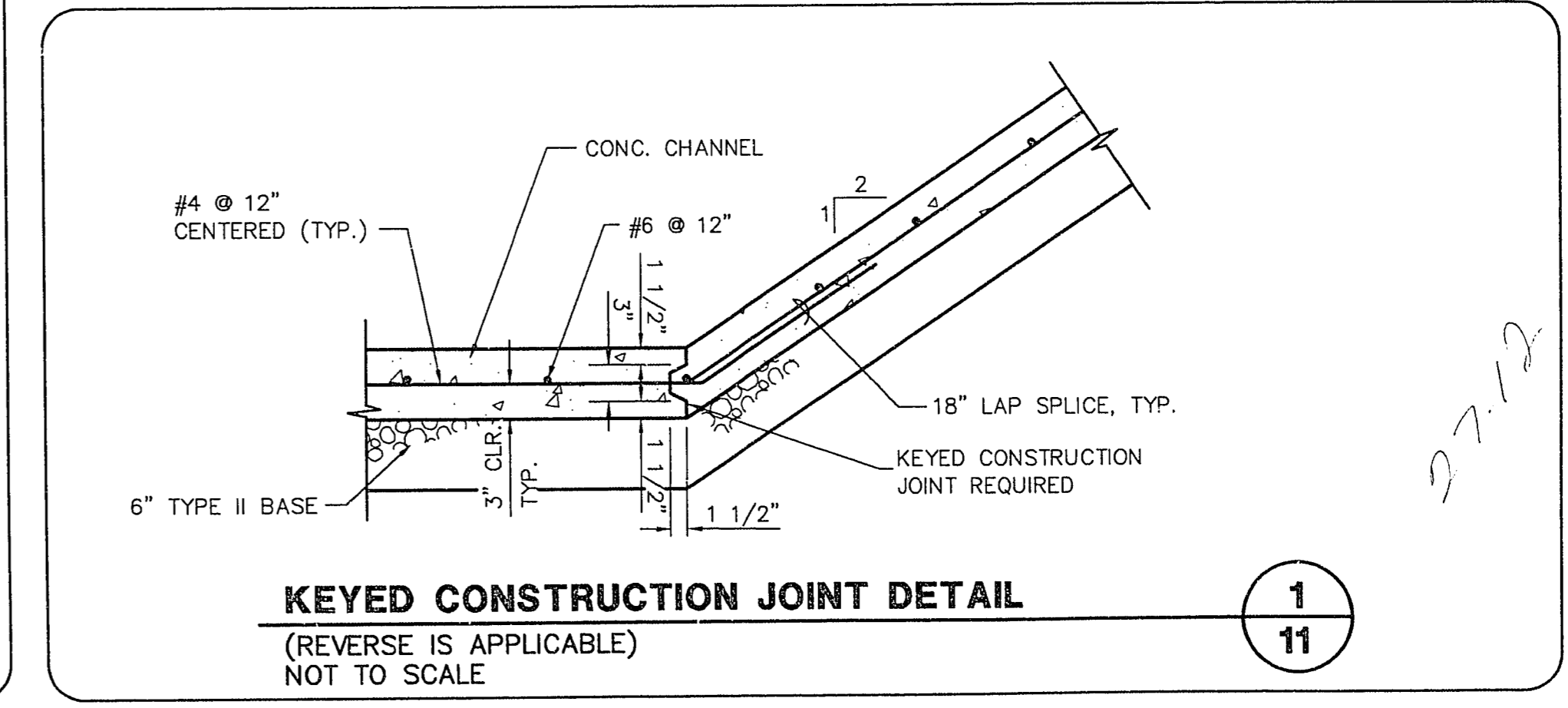
WEAKENED PLANE SECTION
NOT TO SCALE

3
11



TYPICAL EXPANSION JOINT DETAIL & CUT-OFF WALL DETAIL
NOT TO SCALE

2
11



KEYED CONSTRUCTION JOINT DETAIL
(REVERSE IS APPLICABLE)
NOT TO SCALE

1
11

FINAL SUBMITTAL

RECOMMENDED	DATE	REV.	DATE	DATE	DATE	DATE	DATE	DATE	DATE

G.C. WALLACE, INC.
 Engineering/Architecture
 1335 SOUTH RANNEY BLVD LAS VEGAS, NEVADA 89102

SUMMERLIN VILLAGE 11/12 ALTA DRIVE DRAINAGE CHANNEL CHANNEL SECTIONS

SHEET **11** OF 11