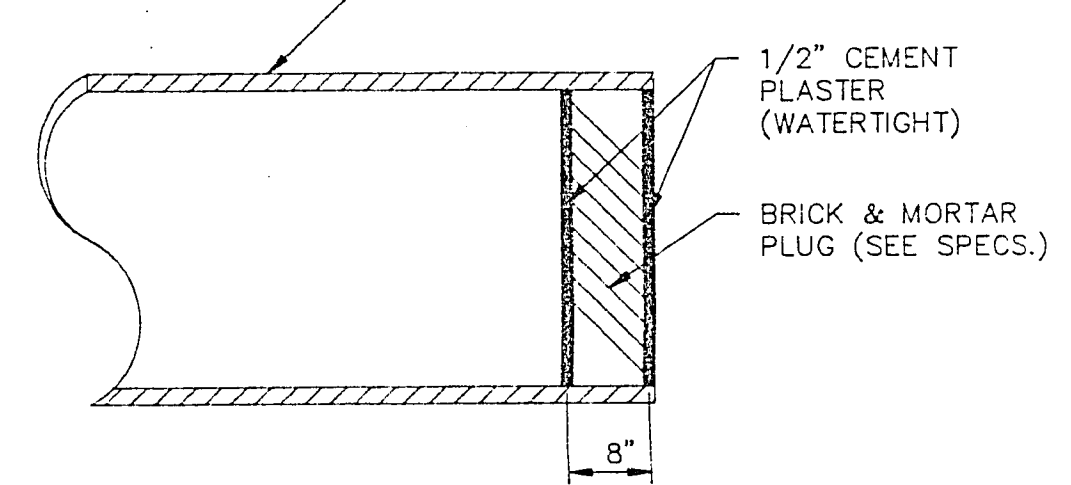
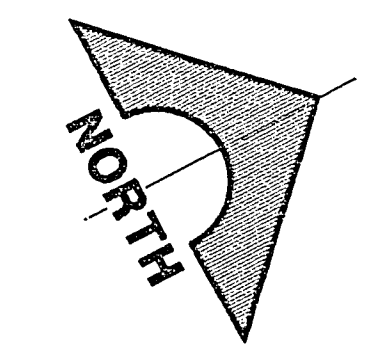
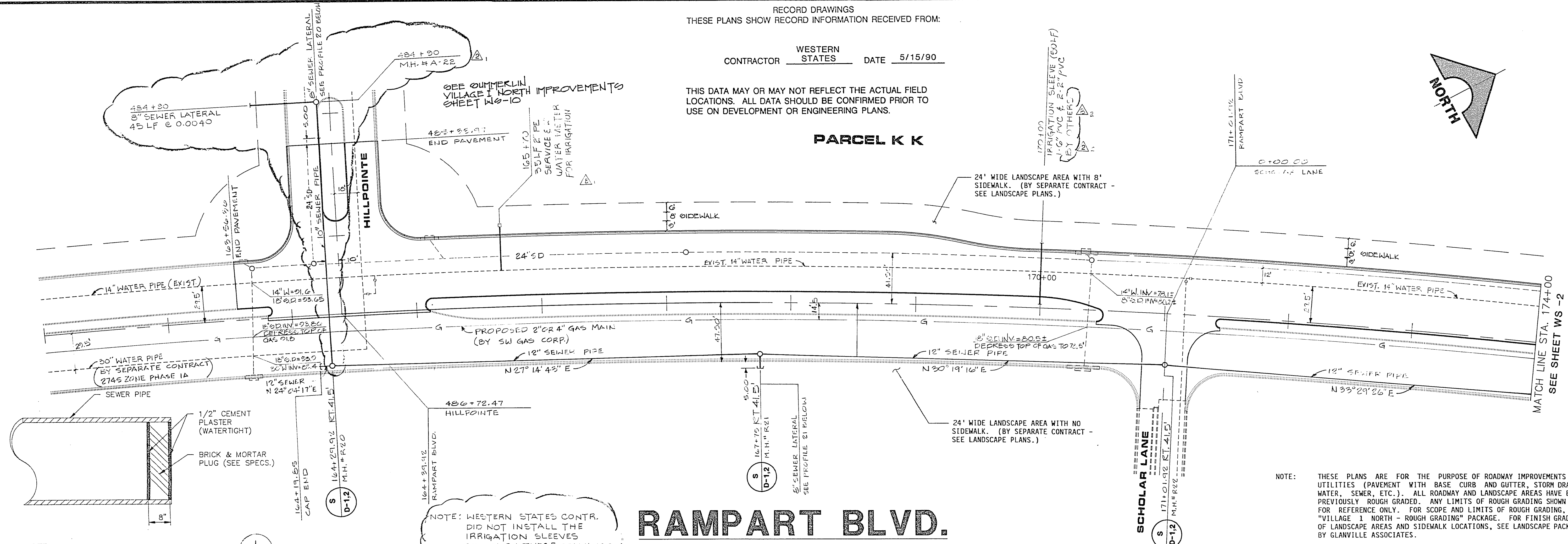


RECORD DRAWINGS
 THESE PLANS SHOW RECORD INFORMATION RECEIVED FROM:

CONTRACTOR WESTERN STATES DATE 5/15/90

THIS DATA MAY OR MAY NOT REFLECT THE ACTUAL FIELD LOCATIONS. ALL DATA SHOULD BE CONFIRMED PRIOR TO USE ON DEVELOPMENT OR ENGINEERING PLANS.

PARCEL K K



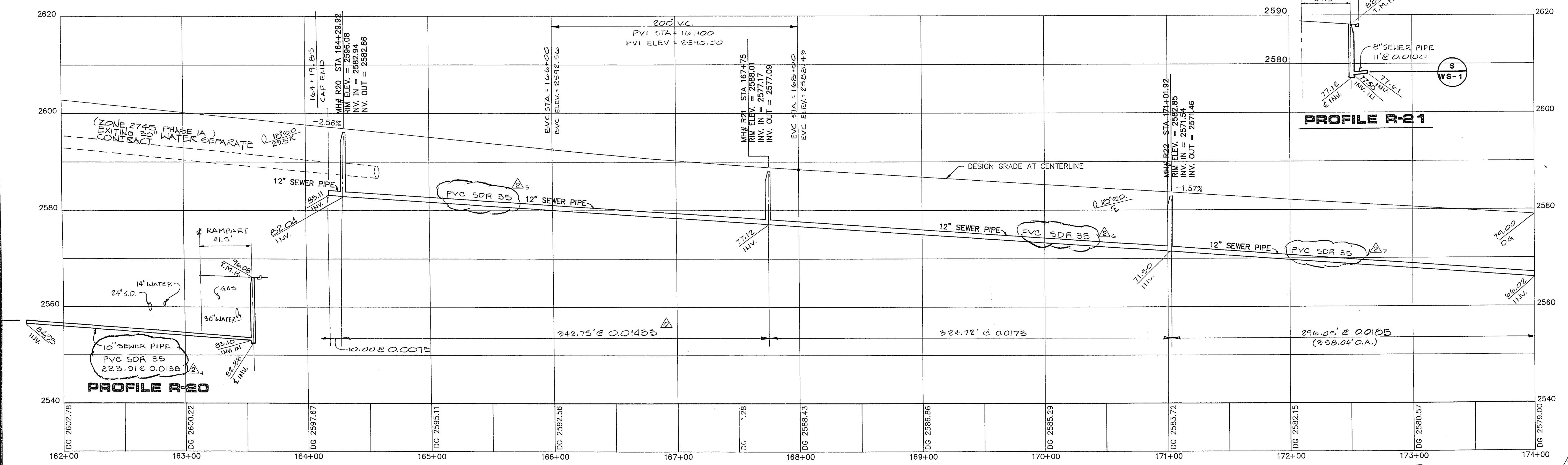
NOTE: WESTERN STATES CONTR. DID NOT INSTALL THE IRRIGATION SLEEVES SHOWN ON THESE DRAWINGS.

RAMPART BLVD.

SCALE: HORIZ.-1"=40'
 VERT.-1"=10'

NOTE: THESE PLANS ARE FOR THE PURPOSE OF ROADWAY IMPROVEMENTS AND UTILITIES (PAVEMENT WITH BASE CURB AND GUTTER, STORM DRAIN, WATER, SEWER, ETC.). ALL ROADWAY AND LANDSCAPE AREAS HAVE BEEN PREVIOUSLY ROUGH GRADED. ANY LIMITS OF ROUGH GRADING SHOWN ARE FOR REFERENCE ONLY. FOR SCOPE AND LIMITS OF ROUGH GRADING, SEE "VILLAGE 1 NORTH - ROUGH GRADING" PACKAGE. FOR FINISH GRADING OF LANDSCAPE AREAS AND SIDEWALK LOCATIONS, SEE LANDSCAPE PACKAGE BY GLANVILLE ASSOCIATES.

NOTE: ALL PIPES 18" & SMALLER SHALL BE PLUGGED WITH A PVC PIPE PLUG. 24" AND LARGER PIPES SHALL BE PLUGGED WITH A BRICK & MORTAR PLUG AS SHOWN.



PROFILE R-21

REV	DATE	DESCRIPTION
A	8/22/88	ISSUE TO BID WATER/SEWER
B	7/13/89	ADDENDUM #2
C	7/23/89	ISSUE FOR CONSTRUCTION
D	7/23/89	CHANGE ORDER #1
E	8/23/89	REVISIONS L.V.V.D.

DATE: 6-22-89
 SHEET NO.: 307-1
 PROJECT NO.: 163-399.92

G.C. WALLACE, INC.
 Engineering/Architecture
 1535 SOUTH RAINBOW BLVD. LAS VEGAS, NEVADA 89102

HOWARD HUGHES PROPERTIES
 VILLAGE 1 NORTH RAMPART BLVD.
 WATER AND SEWER PLAN & PROFILE
 STA. 163-399.92 TO 174+00

JOB NO. 620.314

6164 DIETRICH-POST 63326

DATE: 9-1-89
 LAS VEGAS VALLEY WATER DISTRICT

SHEET 4
 WS-1
 OF 5 SHEETS

307-1649