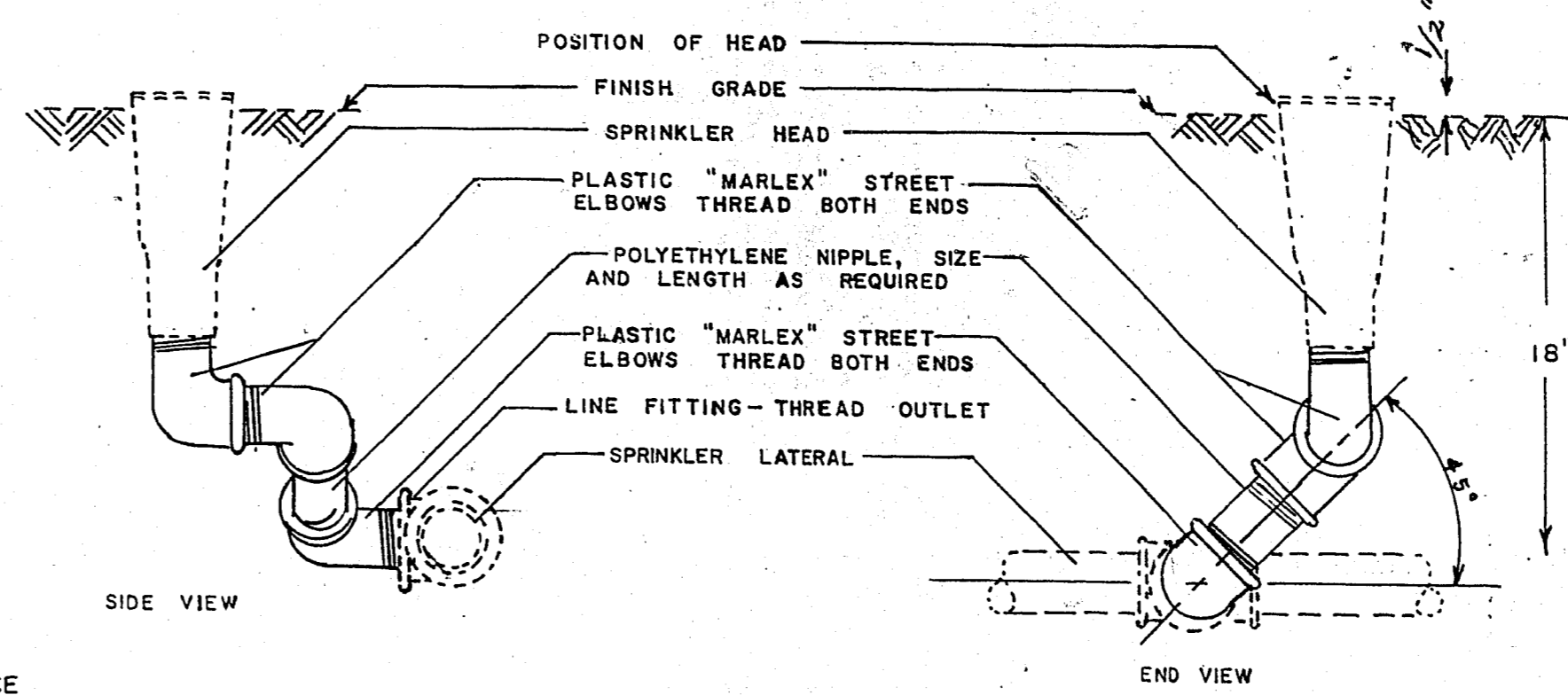
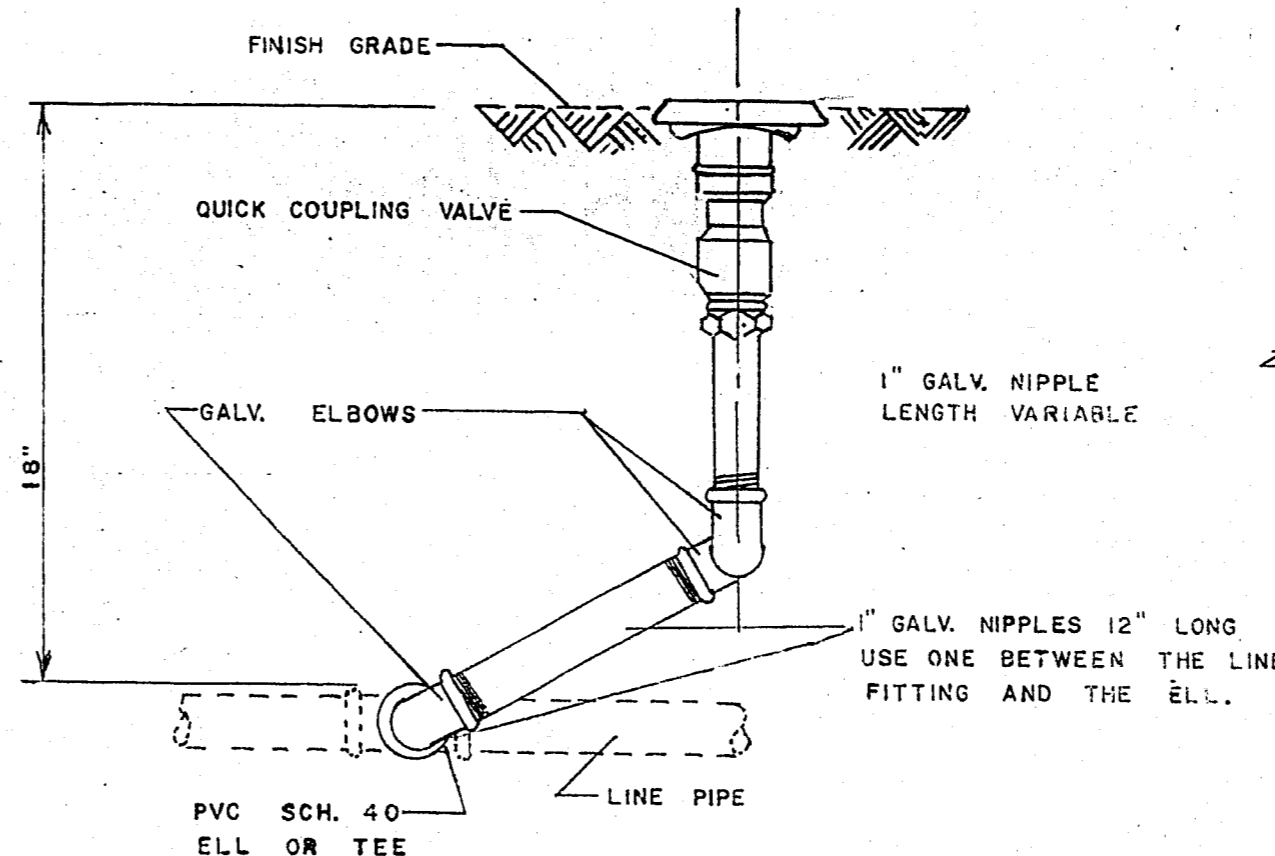


15-13-88

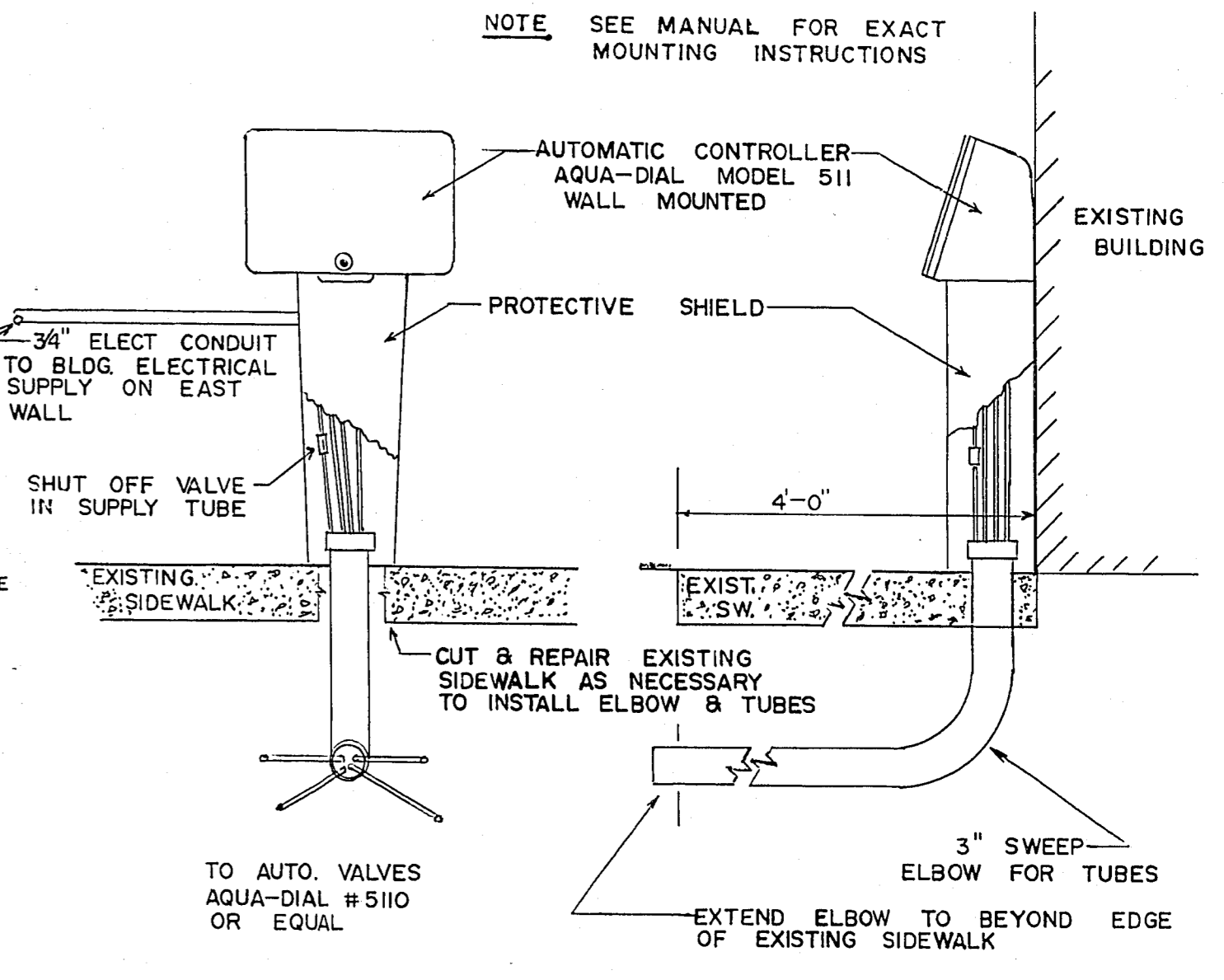
| APPROXIMATE QUANTITIES THIS SHEET | | | |
|-----------------------------------|----------------------------------|------|----------|
| ITEM | DESCRIPTION | UNIT | QUANTITY |
| 560.710 | IRRIGATION SYSTEM | L.S. | L.S. |
| | AUTO. CONTROLLER-511 AQUA-DIAL | E.A. | 1 |
| | 2 1/2" FEBCO #770 (VACUUM BKR.) | E.A. | 1 |
| | W/ WOOD BOX COVER | | |
| | MASTER CONTROL VALVE #5120M | E.A. | 1 |
| | 2 1/2" AUTO VALVES #5110 W/F.C.3 | E.A. | 8 |
| | & BOX WITH METAL COVER | | |
| | AQUA-DIAL #13 ROTARY POP-UP F/C | E.A. | 9 |
| | COMPLETE WITH SWING JOINT | | |
| | AQUA DIAL #14 ROTARY POP-UP P/C | E.A. | 22 |
| | COMPLETE WITH SWING JOINT | | |
| | #45 AQUA DIAL Q.C. (COMPLETE) | E.A. | 6 |
| | AQUA DIAL #5 POP-UP | E.A. | 36 |
| | 2 1/2" P.V.C. SCH 40 | L.F. | 680 |
| | 1 1/2" P.V.C. SCH 40 | L.F. | 385 |
| | 1 1/4" P.V.C. SCH 40 | L.F. | 260 |
| | 1" P.V.C. SCH 40 | L.F. | 970 |
| | 5/16" P.V.C. CONTROL TUBING | L.F. | 1615 |
| | TRENCHING | L.F. | 1975 |
| 450.100 | LANDSCAPE PLANTING | L.S. | L.S. |



TYPICAL LAWN HEAD ASSEMBLY
NO SCALE



TYPICAL QUICK COUPLING VALVE ASSEMBLY
NO SCALE



FRONT VIEW SIDE VIEW
AQUA-DIAL MODEL 511 CONTROLLER
SCALE: 1"=1'-0"

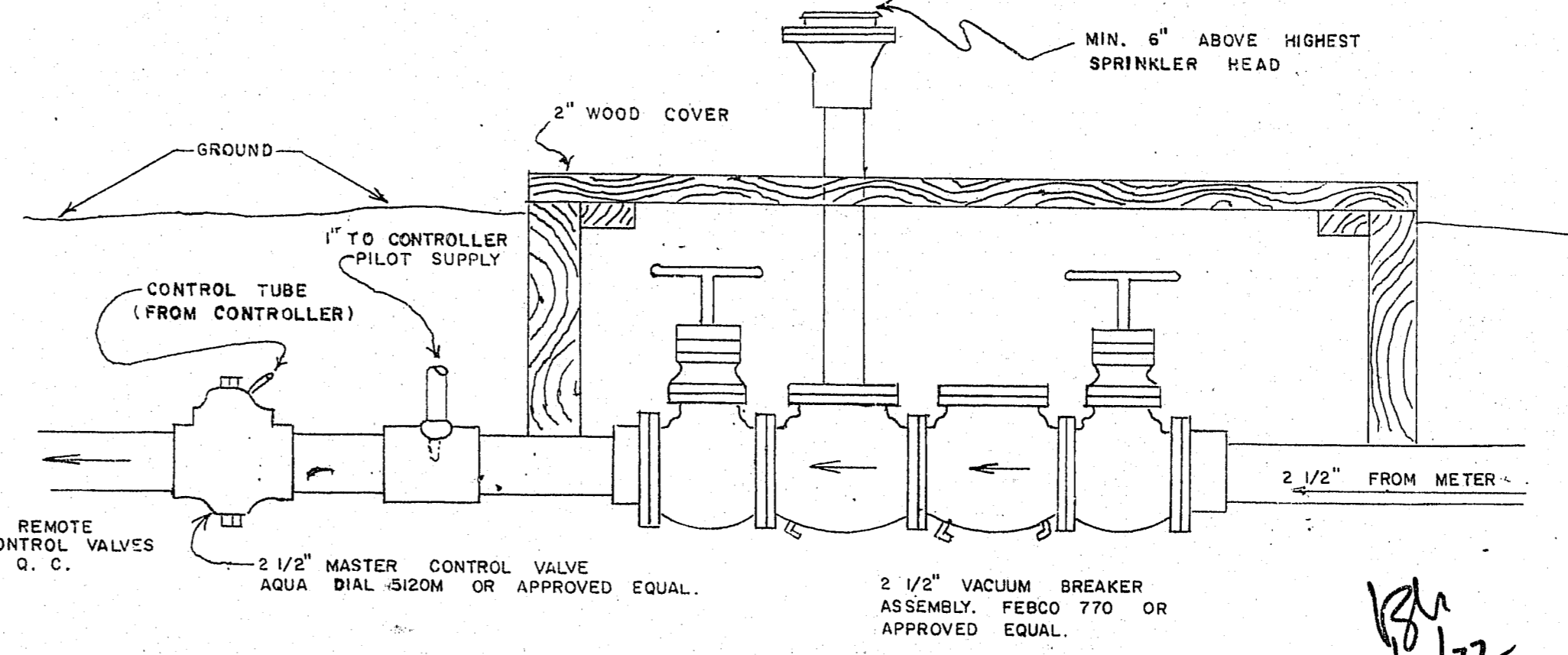
NOTE:
5/16" P.V.C. CONTROL TUBING TO BE LAID ALONGSIDE IRRIGATION LINES.

EXISTING UTILITIES ARE LOCATED ON THE PLANS FOR THE CONVENIENCE OF THE CONTRACTOR ONLY. THE CONTRACTOR SHALL BEAR FULL RESPONSIBILITY FOR PROTECTION OF UTILITIES AND THE CITY BEARS NO RESPONSIBILITY FOR UTILITIES NOT SHOWN ON THE PLANS OR NOT IN THE LOCATION SHOWN ON THE PLANS.

CONTRACT DRAWING
AUG 18 1972

M. H. Will 8/10/72
L.V. VALLEY WATER DISTRICT DATE

R. Chadburn 8/19/72
SUPT. PARKS & CEMETERY DATE



DETAIL OF VALVE ASSEMBLY AND BOX
NO SCALE

- LEGEND**
- = 2" WATER METER - BY L.V.W.D.
 - = 2 1/2" VACUUM BREAKER ASSEMBLY - FEBCO 770 OR APPROVED EQUAL
 - △ = 2 1/2" MASTER CONTROL VALVE - AQUA DIAL 5120M
 - = AQUA DIAL #13 ROTARY POP-UP - 3/16" NOZZLE @ 10.5 G.P.M.
 - ⊕ = AQUA DIAL #14 " " 3/16" " 175° @ 8.5 G.P.M.
 - ⊙ = AQUA DIAL #14 " " 3/16" " 90° @ 8.5 G.P.M.
 - ⊗ = AQUA DIAL #14 " " 3/16" " 270° @ 8.5 G.P.M.
 - = AQUA DIAL #5 POP UP SPRAY HEADS - (NOS. 5-12F, 5-12H, 5-12T, & 5-12Q)
 - ⊙ = AQUA DIAL #45 QUICK COUPLER - 1 1/4" RISER @ 60 G.P.M.
 - ⊙ = AQUA DIAL #5110 VALVE - 2 1/2" WITH FLOW CONTROL ADJUSTING SCREW (FC-3)
 - ② = CIRCUIT NUMBER
 - ②/2 1/2" = SIZE OF VALVE WITH BROOKS N°9 (C.I.) BODY & COVER MIN. 4" BELOW FINISH GRADE
 - = 2 1/2" MAIN PRESSURE LINE
 - = LATERAL - SIZE AS SHOWN
 - ⊕ = FRUITLESS MULBERRY - 3" CAL. - 16 REQUIRED
 - ⊙ = THORNLESS GOLDEN HONEYLOCUST - 3" CAL. - 4 REQUIRED
 - ⊕ = EXISTING ELM TREE

| | | | |
|---|-------------------|---------|--------------|
| CITY OF LAS VEGAS NEVADA DEPARTMENT OF PUBLIC WORKS SERVICES DIVISION | | | |
| VEGAS HEIGHTS CIRCLE IRRIGATION SYSTEM, PLANTING PLAN & DETAILS | | | |
| W.O. NO. 3156 | F.B.K. NO. 64-1XA | DATE | DRAWING NO. |
| SC. (H) AS SHOWN | SC. (V) | | 650.23-1 |
| DES. M. HALINAR | | | FILE NO. |
| DR. S. ARNAUD, P. SULLIVAN | | 7-14-72 | |
| APPROVED BY DIRECTOR OF PUBLIC WORKS | | 8-11-72 | |
| | | | SHEET 5 OF 5 |