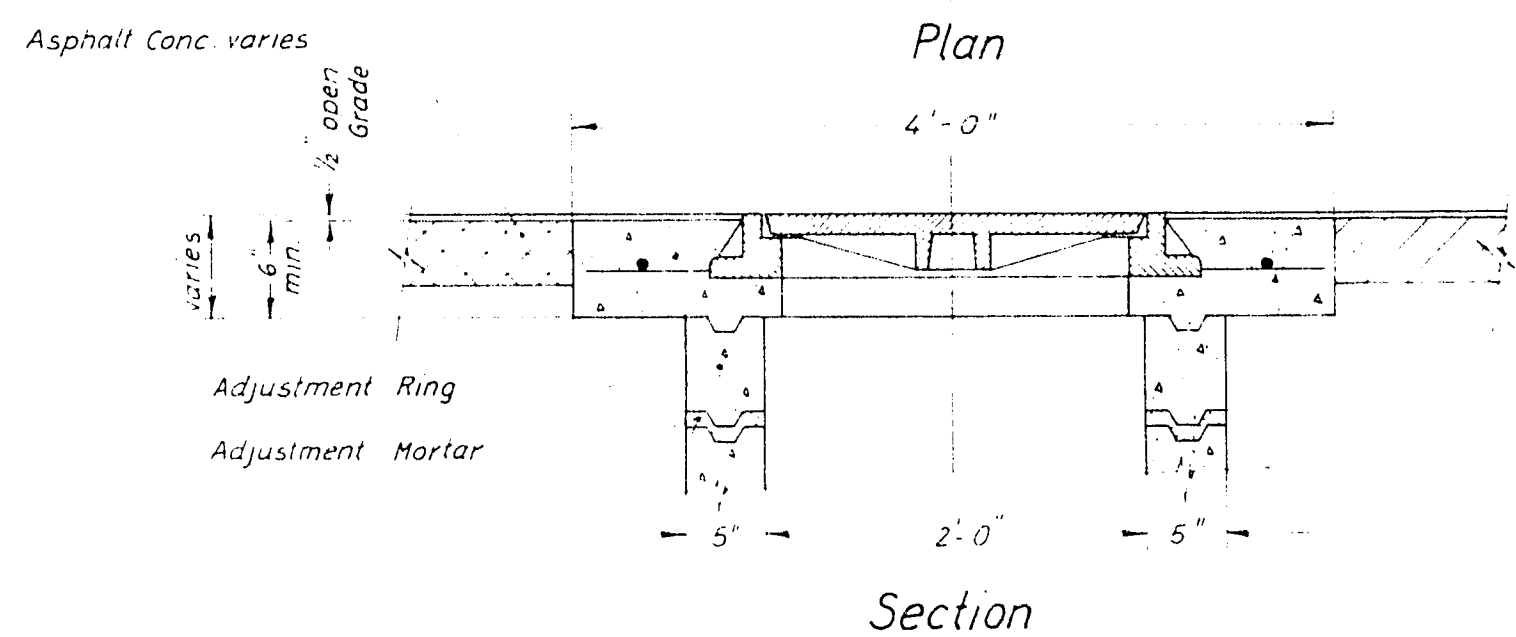
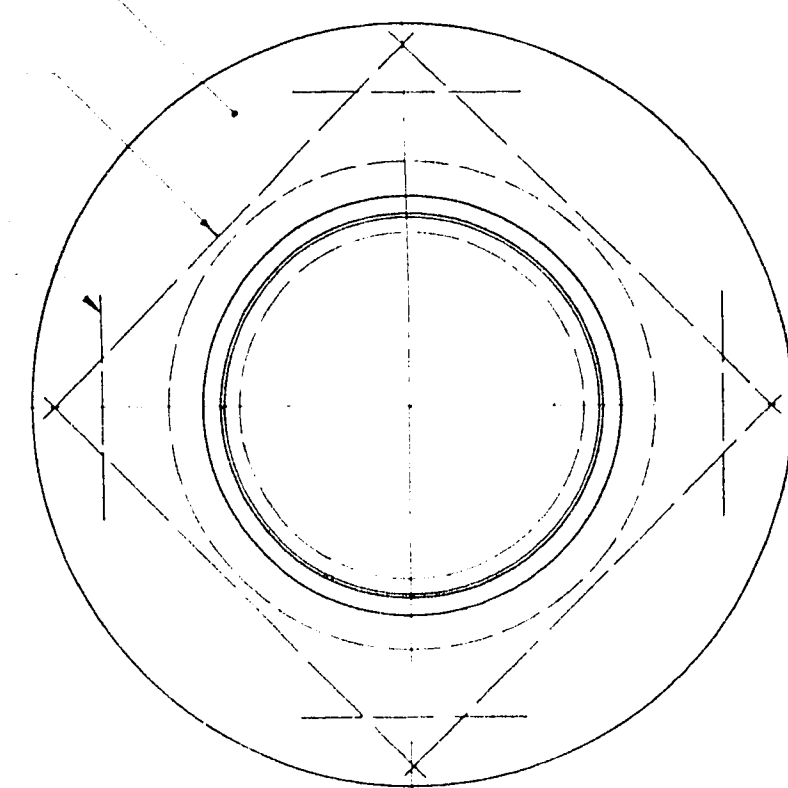


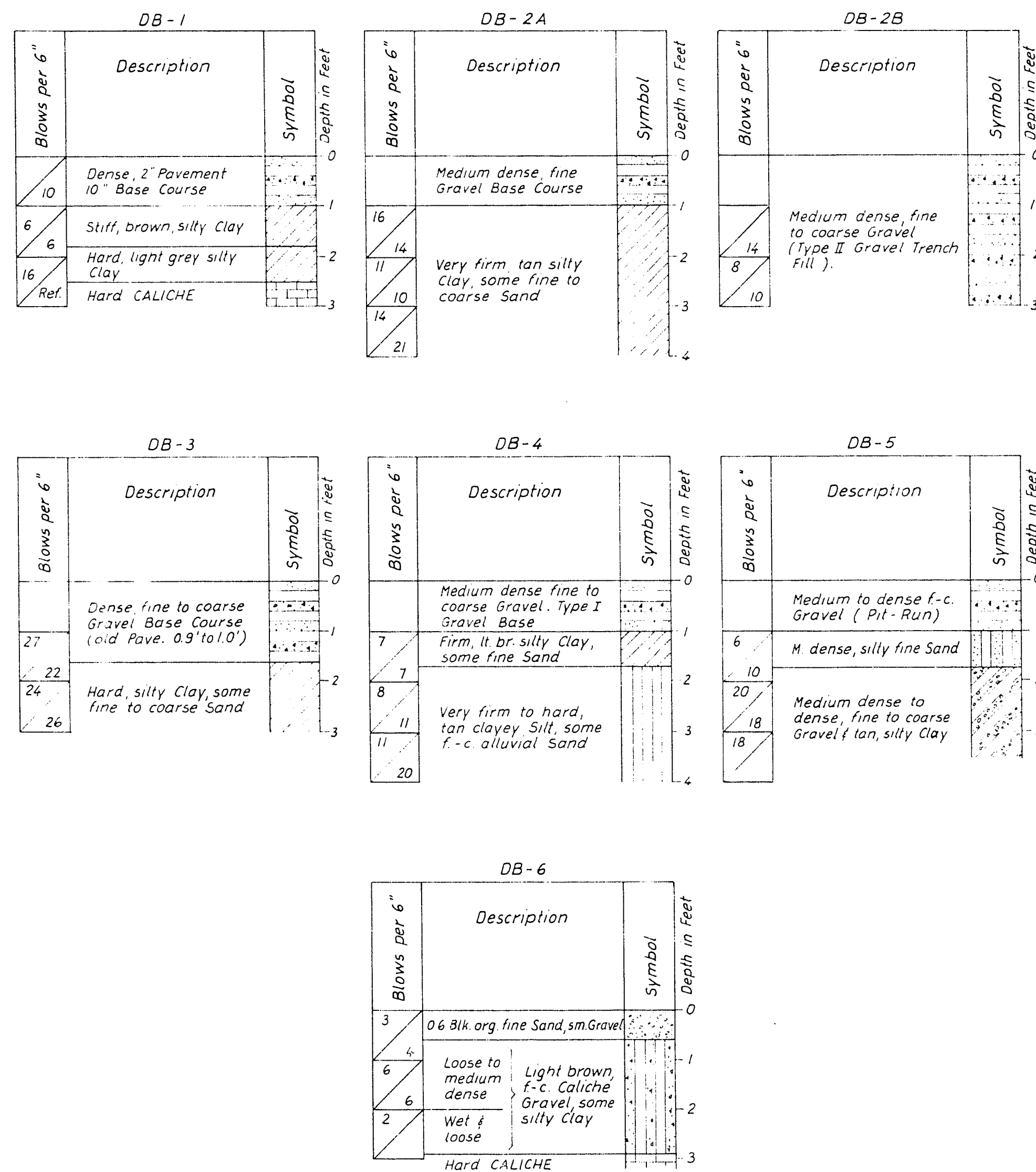
Class 55B 3000 Conc.  
 4 # 6 @ Center of Slab  
 4 # 4 @ Center of Slab



**Sewer Manhole Adjustment**

Scale: 1" = 1'-0"

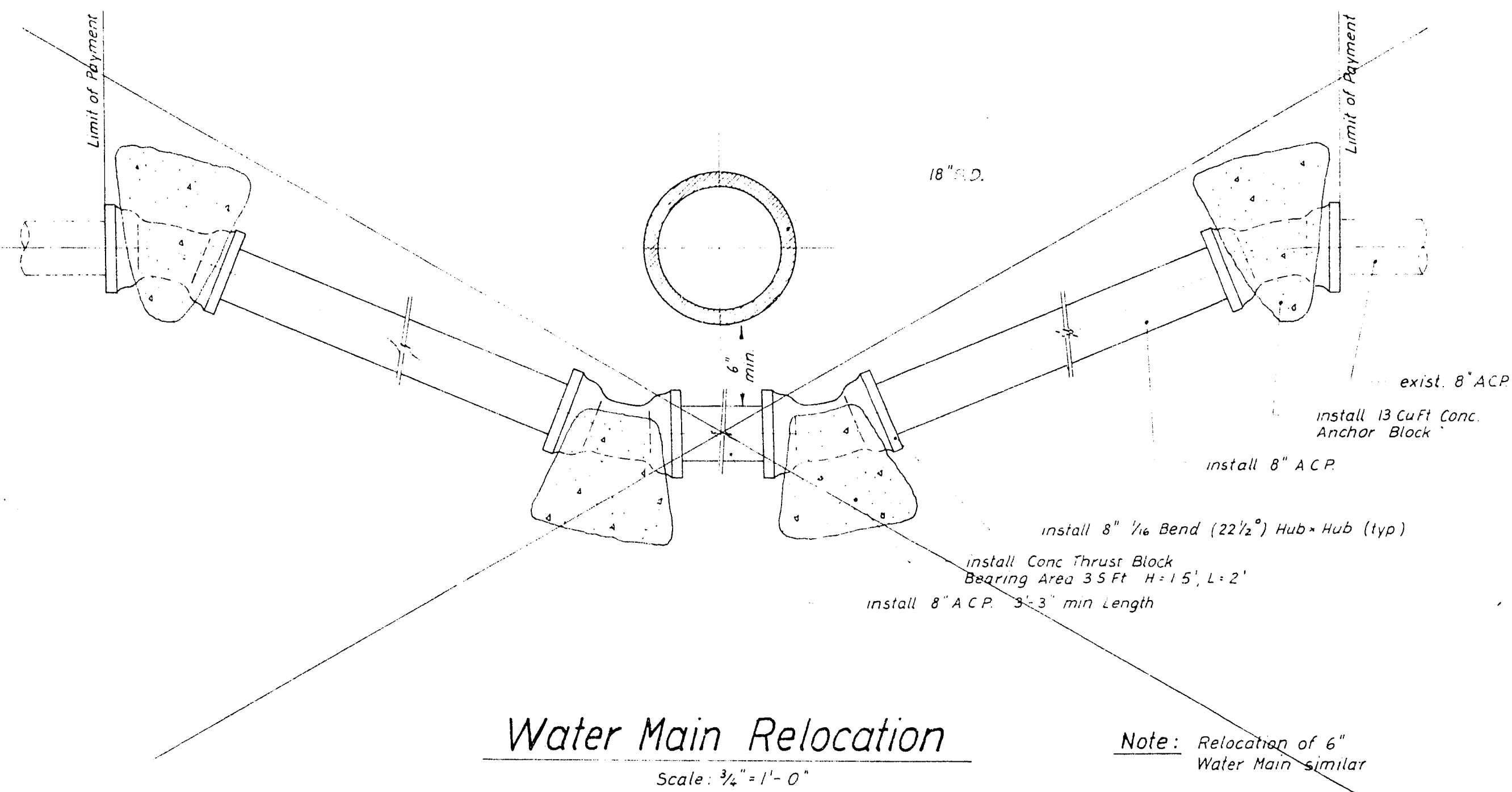
**Logs of Borings**



Soils Classification		Group Symbols
Typical Names		
1	Poorly graded Gravels, or Gravel-Sand Mixtures, Little or no Fines	GP
2	Well graded Gravels, Gravel-Sand Mixtures, little or no Fines	GW
3	Inorganic Clays of low to medium Plasticity, gravelly Clays, silty Clays, clean Clays	CL
4	Silty Gravels, Gravel-Sand-Clay Mixtures	GM
5	Silty Sands, Sand-Silt Mixtures	SM
6	Clayey Sands, Sand-Clay Mixtures	SC
7	Inorganic Silts & very fine Sands, Rock Flour, silty or clayey fine Sands or clayey Silts with slight Plasticity	ML
8	Clayey Gravels, Gravel-Sand-Clay Mixtures, plastic Fines	GC
9	Caliche	

**Summary of approximate Quantities**

Item No.	Description	Quantity	Unit
<b>Schedule I</b>			
200.100	Roadway Excavation	15,500	C.Y.
200.105	Remove Conc. Sidewalk	6,200	S.F.
200.110	Remove Conc. Curb & Gutter	1,500	L.F.
200.120	Remove Conc. Valley Gutter	2,700	S.F.
200.130	Remove Conc. Catch Basin	1	Ea.
200.140	Remove 6" Drain Pipe	70	L.F.
200.300	Remove Trees (4" to 10" Diam.)	14	Ea.
200.310	Remove Trees (larger than 10" Diam.)	13	Ea.
302.100	Type II Gravel Base Material	8,400	C.Y.
333.100	Plantmix Open-Graded Surface	37,850	S.Y.
334.100	Asphalt Concrete Type I Class B	8,900	Ton
340.100	Type "L" Conc. Curb & Gutter (24")	1,550	L.F.
340.200	Island Conc. Curb Tack-On	4,200	L.F.
340.300	Concrete Sidewalk	6,300	S.F.
340.310	4" Concrete Island Surface	8,210	S.F.
340.400	Commercial Driveway	600	S.F.
400.000	Traffic Signal & Flashing Island Light	Lump	Sum
420.100	Survey Monument	4	Ea.
460.100	Warning Rail	100	L.F.
512.100	Adjust Sewer Manhole	18	Ea.
<b>Schedule II</b>			
121.100	18" S.D.	3,400	L.F.
121.200	14" x 23" Lo-Head Class HE.I	280	L.F.
500.100	Type I Curb Inlet	5	Ea.
500.200	Type II Inlet	12	Ea.
500.300	Junction Box	2	Ea.
<b>Schedule II A</b>			
121.110	18" S.D.	710	L.F.
500.200	Type II Inlet	1	Ea.
500.300	Junction Box	1	Ea.
121.500	10" x 30" Box Culvert	860	L.F.
<b>Schedule II B</b>			
121.120	18" S.D.	2,610	L.F.
500.300	Junction Box	8	Ea.
500.400	Connection to existing Inlet	1	Ea.



**Water Main Relocation**

Scale: 1/4" = 1'-0"

Note: Relocation of 6" Water Main similar

**"AS CONSTRUCTED"**  
 6-1-73

REGIONAL STREET & HIGHWAY COMMISSION  
 CLARK COUNTY, NEVADA

VEGAS DRIVE IMPROVEMENTS  
 PROJECT NO. 4A

LOG OF BORINGS, CONSTRUCTION DETAILS  
 AND  
 SUMMARY OF QUANTITIES

BOYLE ENGINEERING

1000 SOUTH COMMERCE ST., LAS VEGAS, NEV.

14

DATE	2-21-72	CHANGED 18" R.C.P. #4000-D TO 18" S.D. (TYP)	BY	G.M.
DATE	3-29-71		BY	S.C.D.

210-104

101-V912