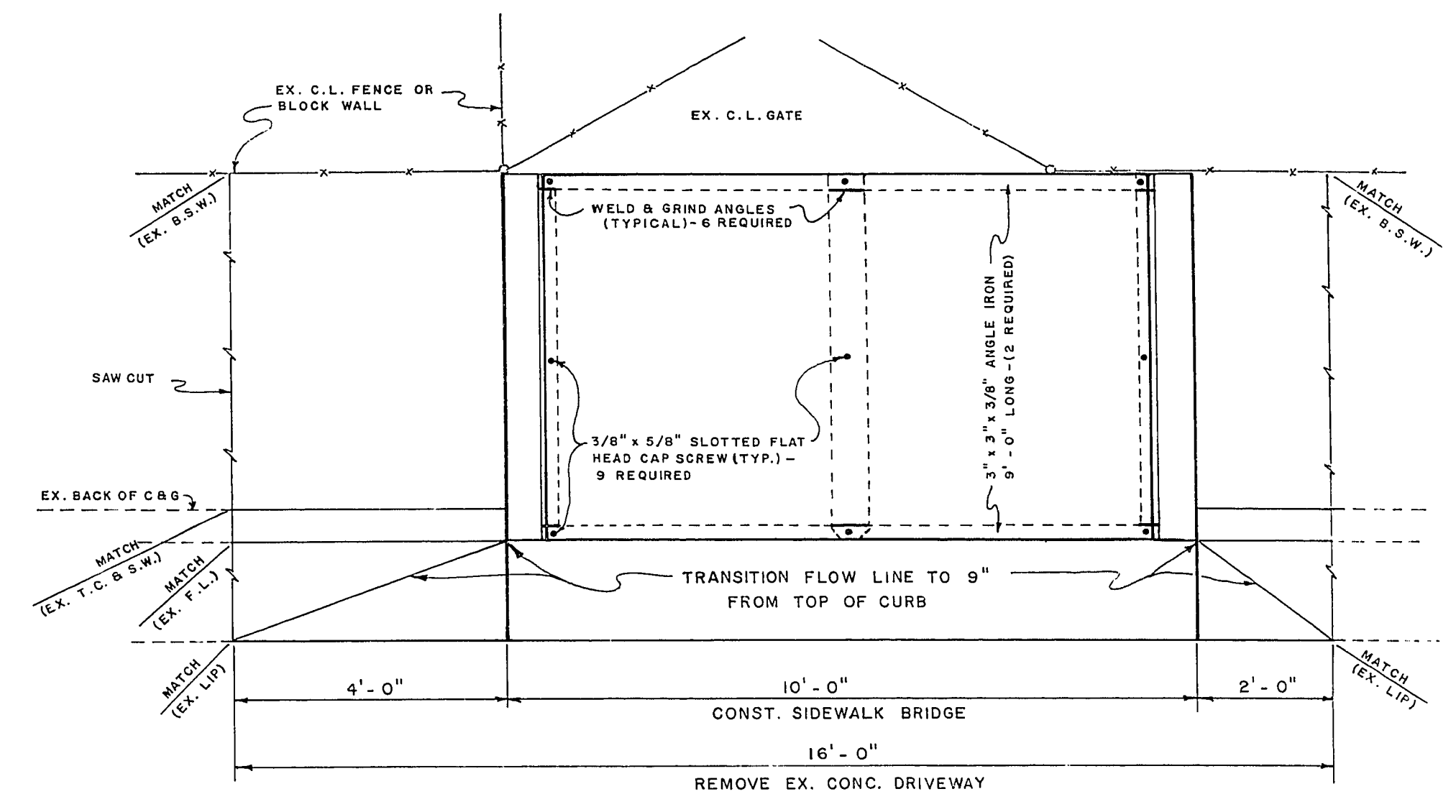
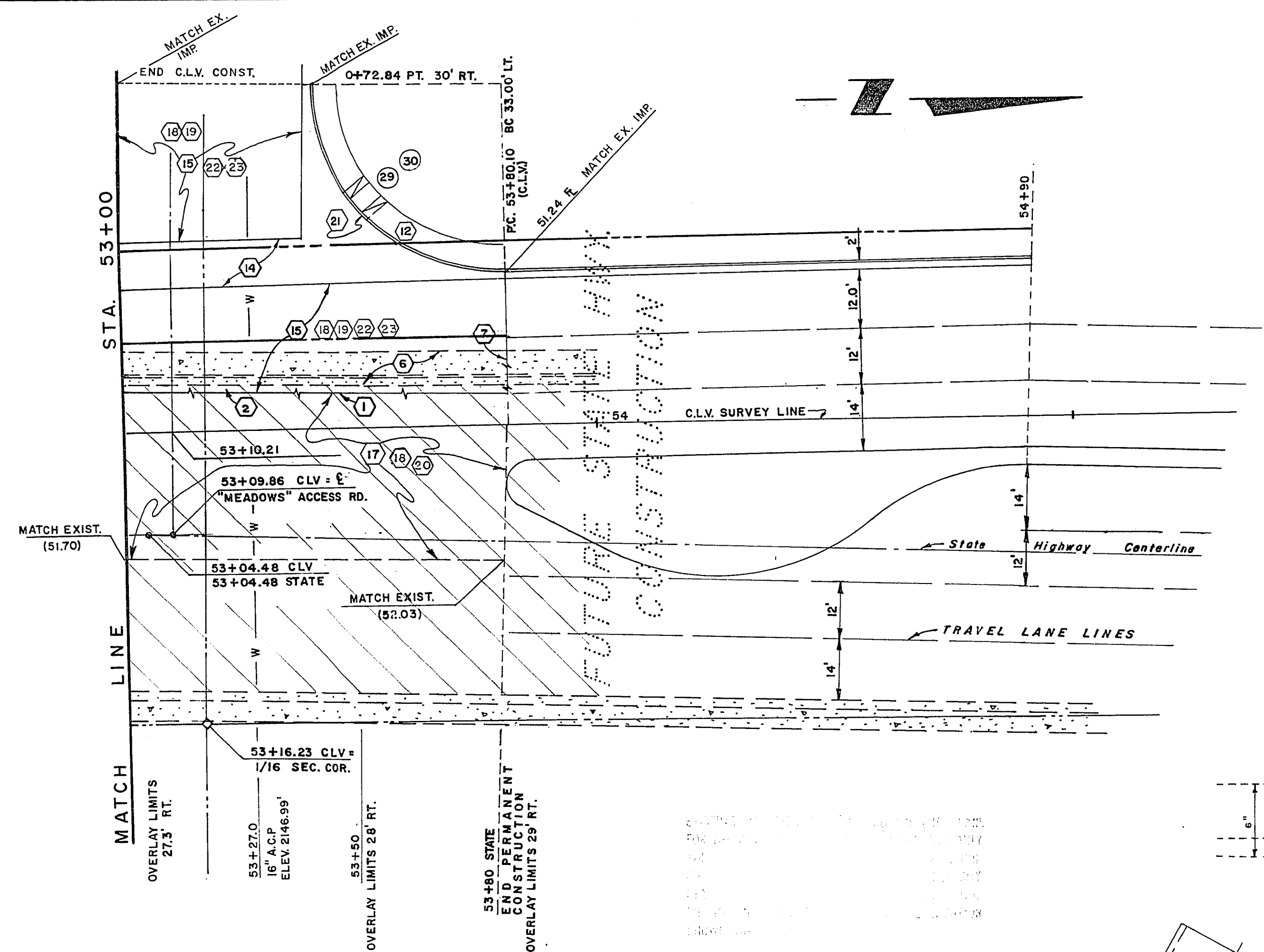
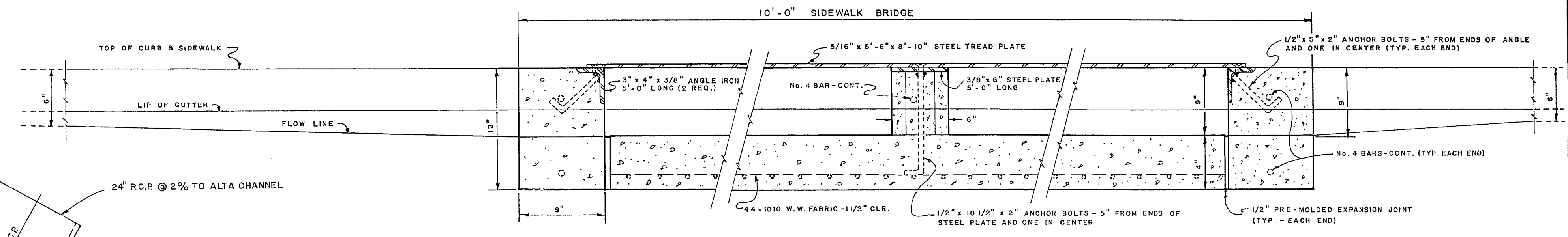


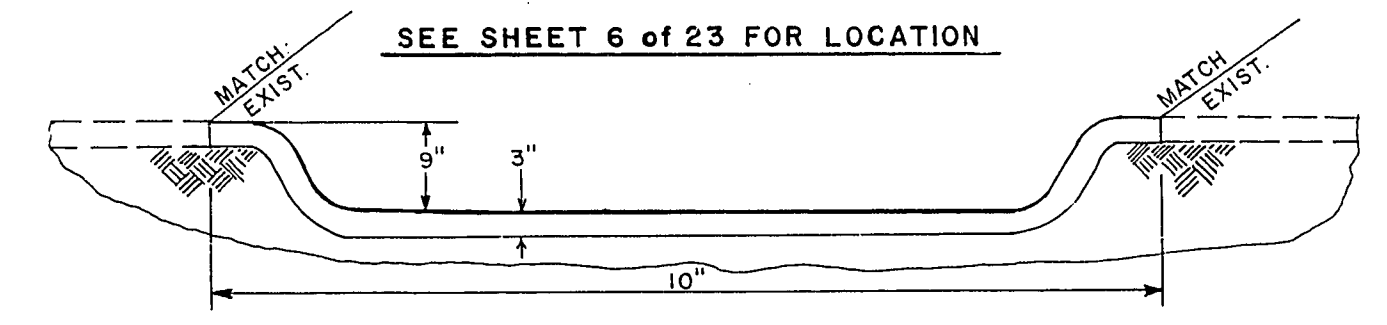
| APPROXIMATE QUANTITIES THIS SHEET | | | | | |
|-----------------------------------|----------|-----------------------|------|-----|----------------|
| CONST. NOTE | ITEM NO. | DESCRIPTION | CLV | SID | RSH UNIT TOTAL |
| | 201.100 | ROADWAY EXCAVATION | | 142 | CY 142 |
| (1) | | WHEEL CUT A.C. PAV'T. | 82 | | LF 82 |
| (2) | | REMOVE AC PAVT. | 18 | | SY 18 |
| (6) | 200.110 | REMOVE CONCRETE | 574 | | SF 574 |
| (7) | | SAWCUT CONCRETE | 7 | | LF 7 |
| (12) | 340.114 | CONC. SIDEWALK | 292 | | SF 292 |
| (14) | 340.319 | VALLEY GUTTER | 890 | | SF 890 |
| (15) | 334.006 | 3" A.C. PAVT. | 70 | | TN 70 |
| (23) | 302.100 | TYPE I GRAVEL | 92 | | CY 92 |
| (23) | 302.200 | TYPE II GRAVEL | 46 | | CY 46 |
| (10) | 333.501 | 3/4" OPEN GRADE | 1008 | | SY 1008 |
| (19) | | PRIME COAT | 130 | | GAL 130 |
| (17) | 331.003 | 1-1/2" OVERLAY | 56 | | TN 56 |
| (20) | | TACK COAT | 96 | | GAL 96 |
| (21) | 340.266 | CONC. WHEELCHAIR RAMP | 56 | | SF 56 |



SIDEWALK BRIDGE - PLAN
SCALE - 1/2" = 1'-0"



SIDEWALK BRIDGE - FRONT VIEW
SCALE - 1/2" = 1'-0"



DETAIL A-A
SCALE - 1/2" = 1'-0"

| CURVE DATA | | | | | |
|------------|-------------|--------|----------------|----------|-----|
| NO. | DELTA | RADIUS | TANGENT LENGTH | LOCATION | |
| (29) | 89° 05' 33" | 40.00' | 39.37' | 62.02' | BC. |
| (30) | 89° 05' 43" | 35.00' | 34.45' | 54.43' | BW. |

Handwritten signature
OCT. 28, 1977

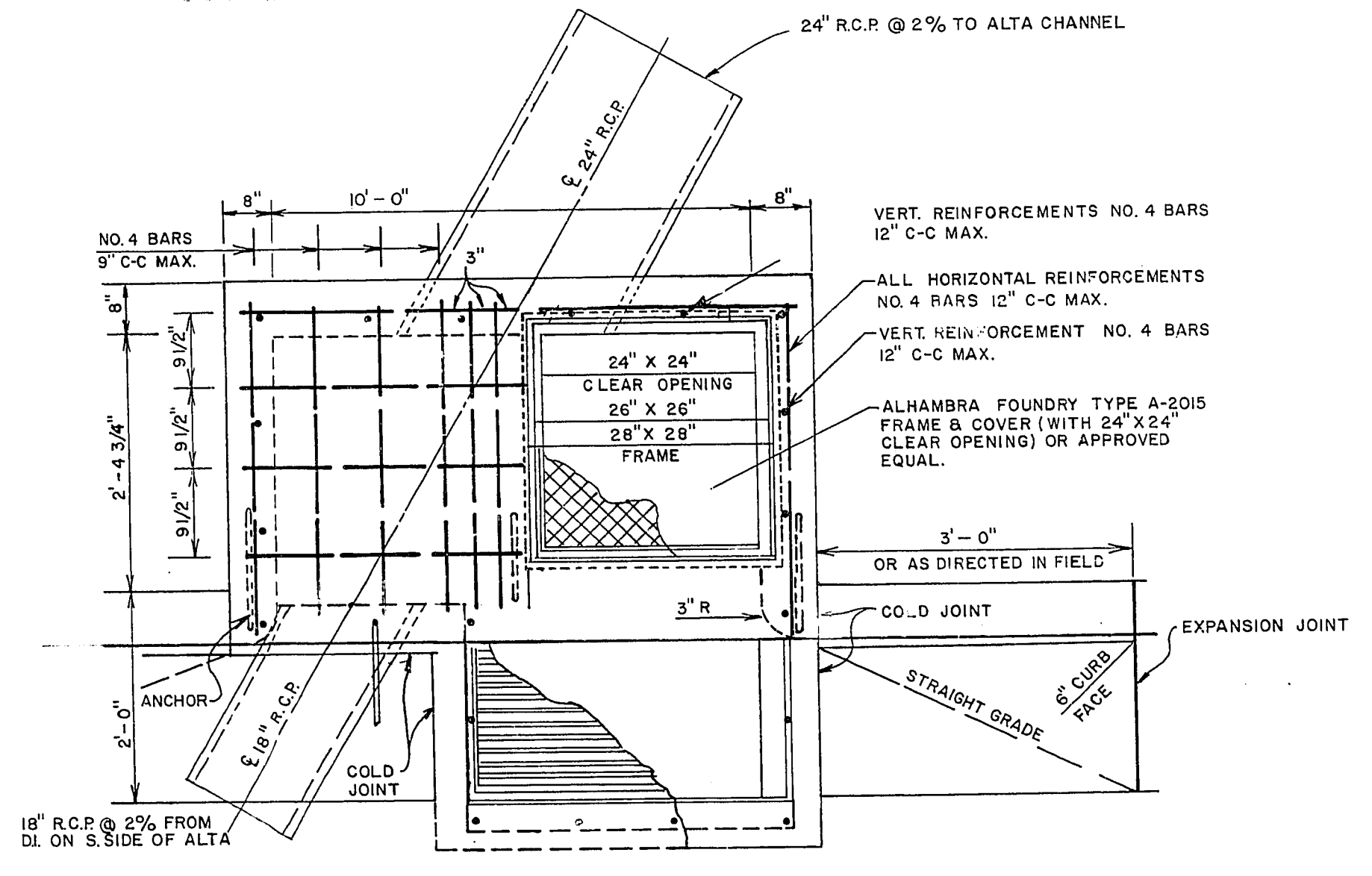
| NO. | DESCRIPTION | BY | DATE | APPROVAL |
|----------|-------------|----|------|----------|
| REVISION | | | | |

CITY OF LAS VEGAS
Department of Public Services
Engineering Design Division

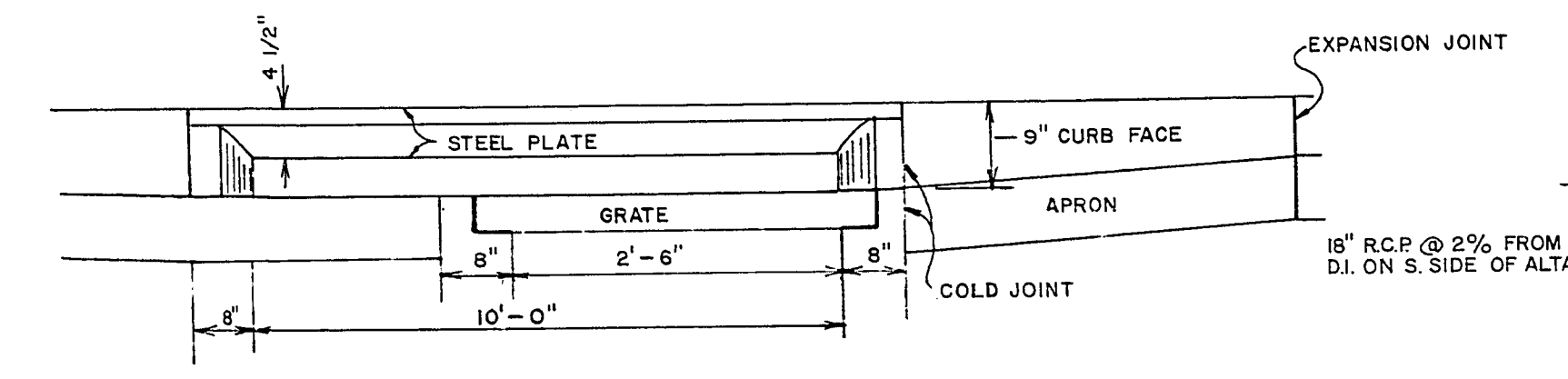
VALLEY VIEW BLVD.
WEST CHARLESTON BLVD. TO
WEST FREMONT EXPRESSWAY

STA. 53+00 TO 53+80

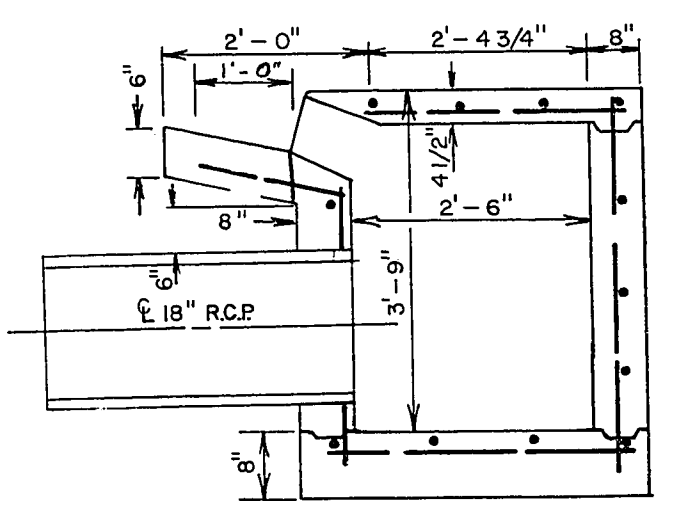
scale (h) 1" = 20' scale (v) 1" = 2' drawing no. 107V-967
w.o.no. 4221 f.bk.no. 75-5X
design by C. KAJKOWSKI drawn by S.A. & J.A.M. date
approved by Director of Public Services date 11/77 sht. 14 of 23



DROP INLET - PLAN VIEW
NO SCALE
AT NORTH SIDE OF ALTA EAST OF VALLEY VIEW
AT SOUTH SIDE OF ALTA EAST OF VALLEY VIEW



FRONT VIEW
NO SCALE



SECTION A-A
NO SCALE

| | | | | | | |
|------|------------------|---------------------|---------------|-------|---------|-------|
| 2153 | 50.93 | EXIST. T.C. 12' LT. | PROPOSED F.L. | 51.12 | +0.389% | 51.24 |
| 2151 | | | | | | |
| 2152 | (51.70) 272' RT. | MATCH EXIST. | | | | |
| 2150 | | | | | | |
| 2153 | | | | | | |
| 2151 | | | | | | |