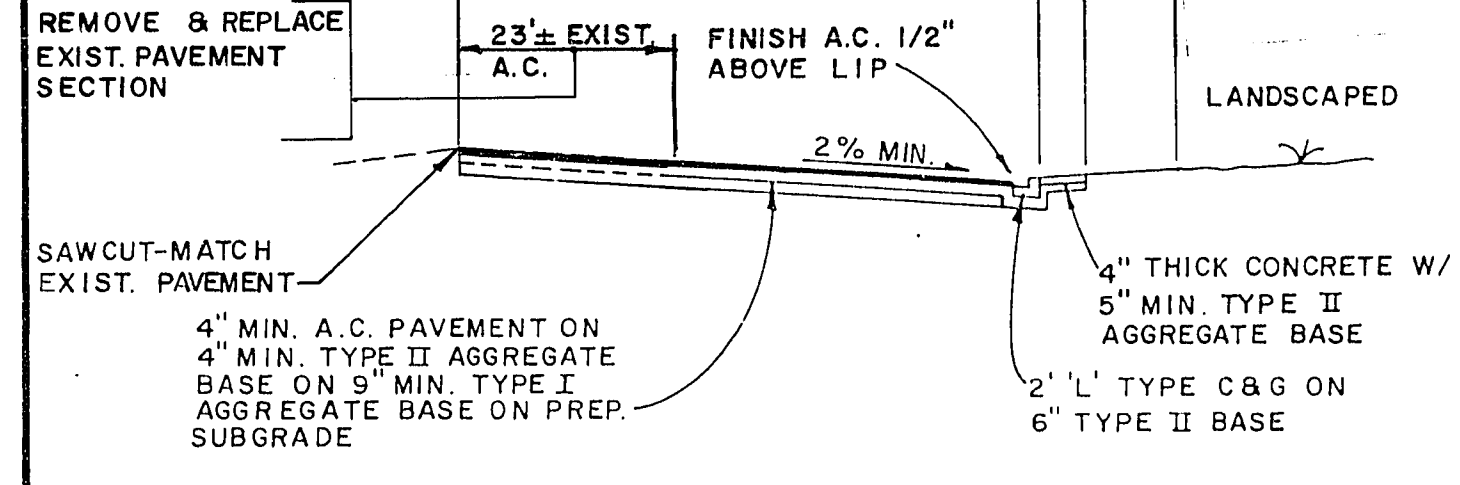
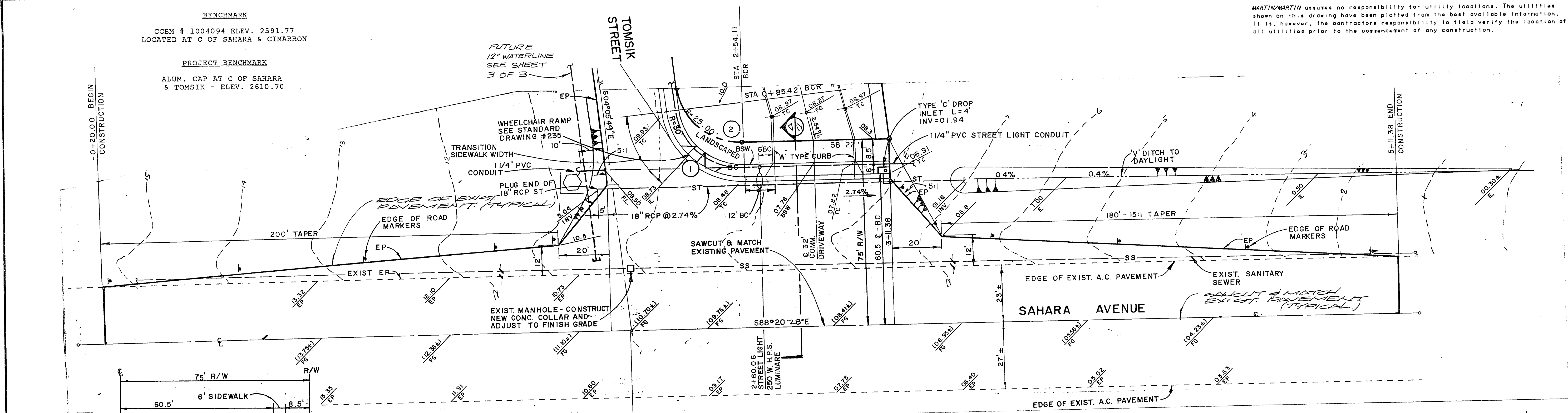


BENCHMARK
CCRM # 1004094 ELEV. 2591.77
LOCATED AT C OF SAHARA & CIMARRON

PROJECT BENCHMARK
ALUM. CAP AT C OF SAHARA
& TOMSIK - ELEV. 2610.70

MARTIN/MARTIN assumes no responsibility for utility locations. The utilities shown on this drawing have been plotted from the best available information. It is, however, the contractor's responsibility to field verify the location of all utilities prior to the commencement of any construction.

project manager _____
designed by _____
drawn by _____
job no. _____
sheet no. _____



PLAN

Symbol	Description
R/W	RIGHT-OF-WAY
SW	SIDE WALK
FL	FLOWLINE
GB	GRADE BREAK
PL	PROPERTY LINE
30" RI-1 STOP SIGN	
9" D-3 STREET NAME SIGN	

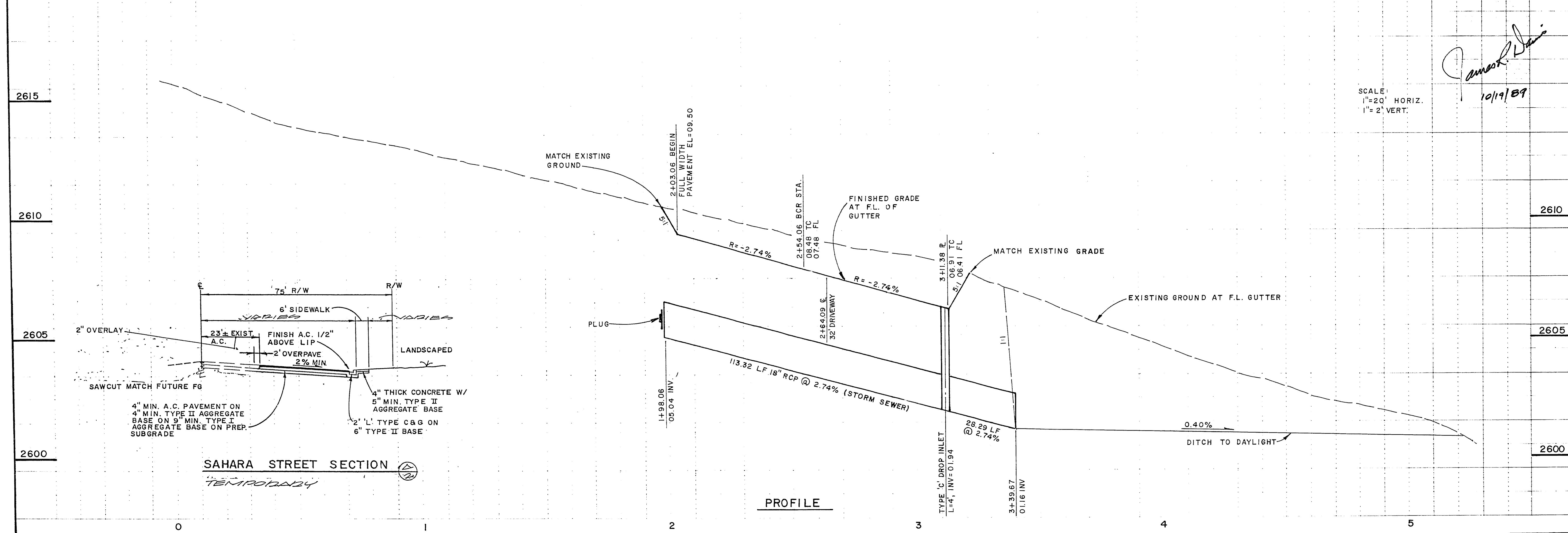
LEGEND

TC	TOP OF CURB
FG	FINISH GRADE
EP	EDGE OF PAVEMENT
VG	VALLEY GUTTER
SC	SCARP
BC	BACK OF CURB
ST	STORM SEWER
SS	SANITARY SEWER

CURVE DATA

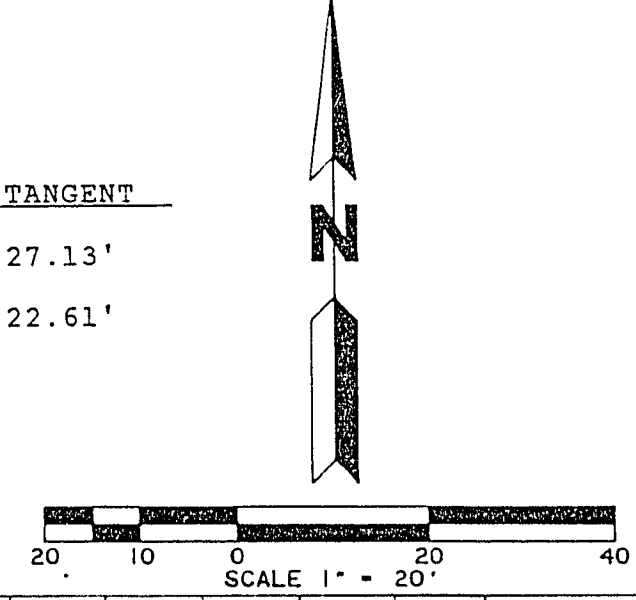
NO.	DELTA	RADIUS'	LENGTH	TANGENT
BCR 1	84°14'39"	30.00	44.11'	27.13'
R/W 2	84°14'39"	25.00	36.76'	22.61'

SAHARA STREET SECTION (2)
FINAL



SAHARA STREET SECTION (2)
TEMPORARILY

PROFILE



Camel Davis
10/19/89

VALLEY BANK OF NEVADA
SAHARA AVENUE IMPROVEMENTS
PLAN/PROFILE

no	description of revisions	date	name
1	REMOVED OVERLAY IN SAHARA STREET		J.D.

date AUGUST 30, 1989
job number 10916
design by M. HEDGE
drawn by R. YOUNG
checked by J. DAVIS

sheet number

2 of 3

MARTIN & MARTIN
CIVIL ENGINEERS
1701 W. CHARLESTON BLVD.
SUITE 430
LAS VEGAS, NEVADA 89102
PHONE (702) 386-8005

FRED DORiot
ARCHITECT
LAS VEGAS, NV

11-3-120 107-V1705