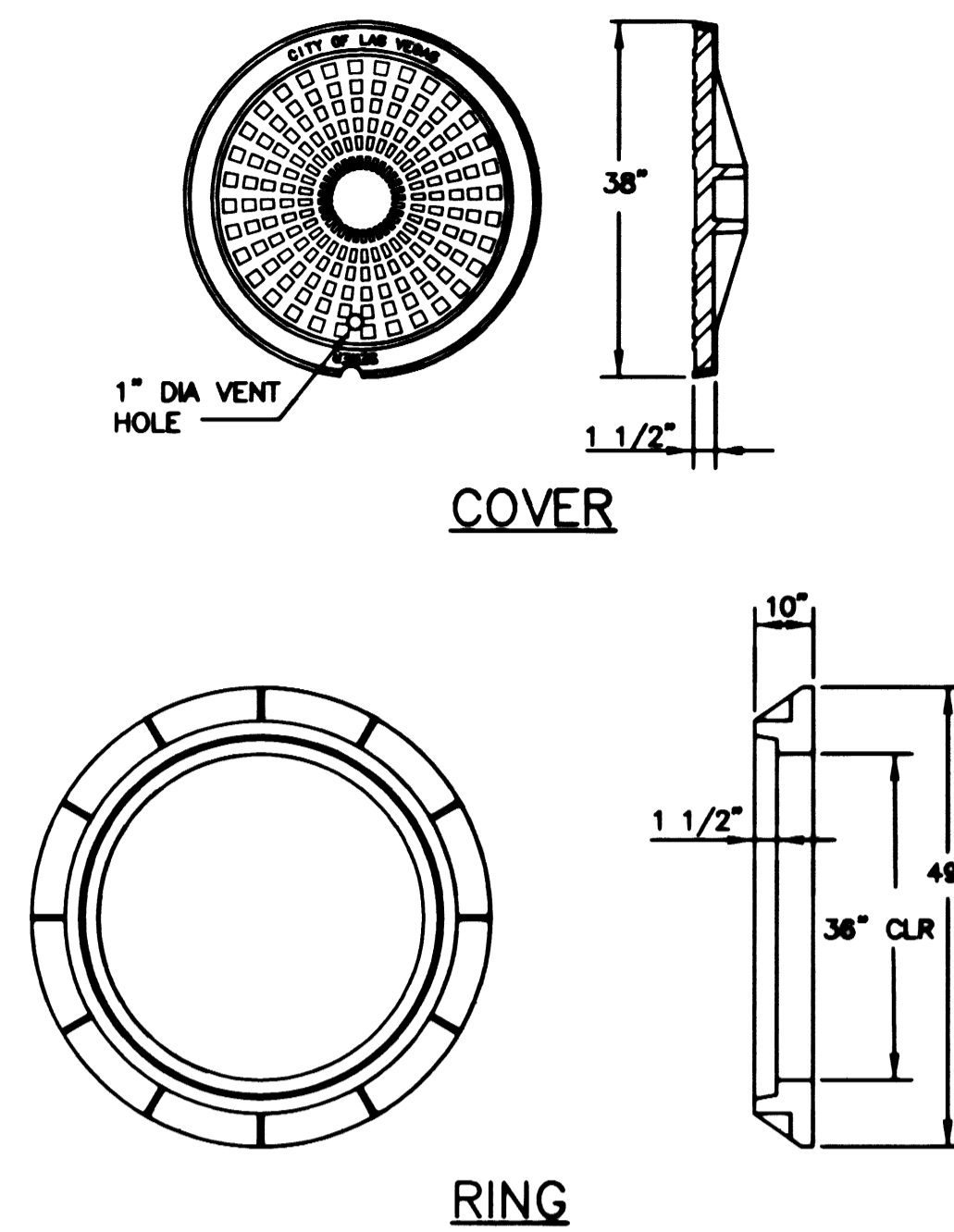
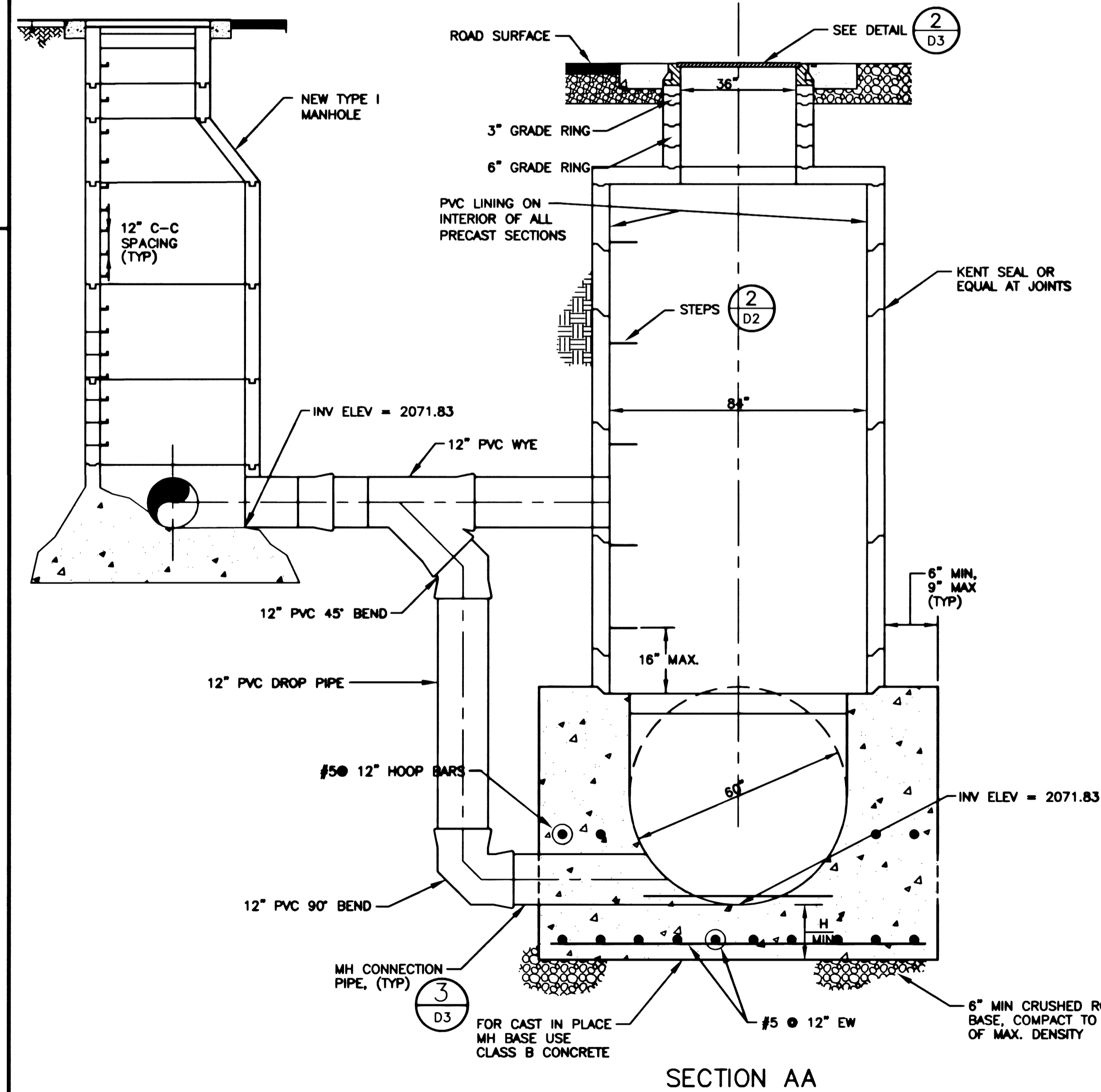
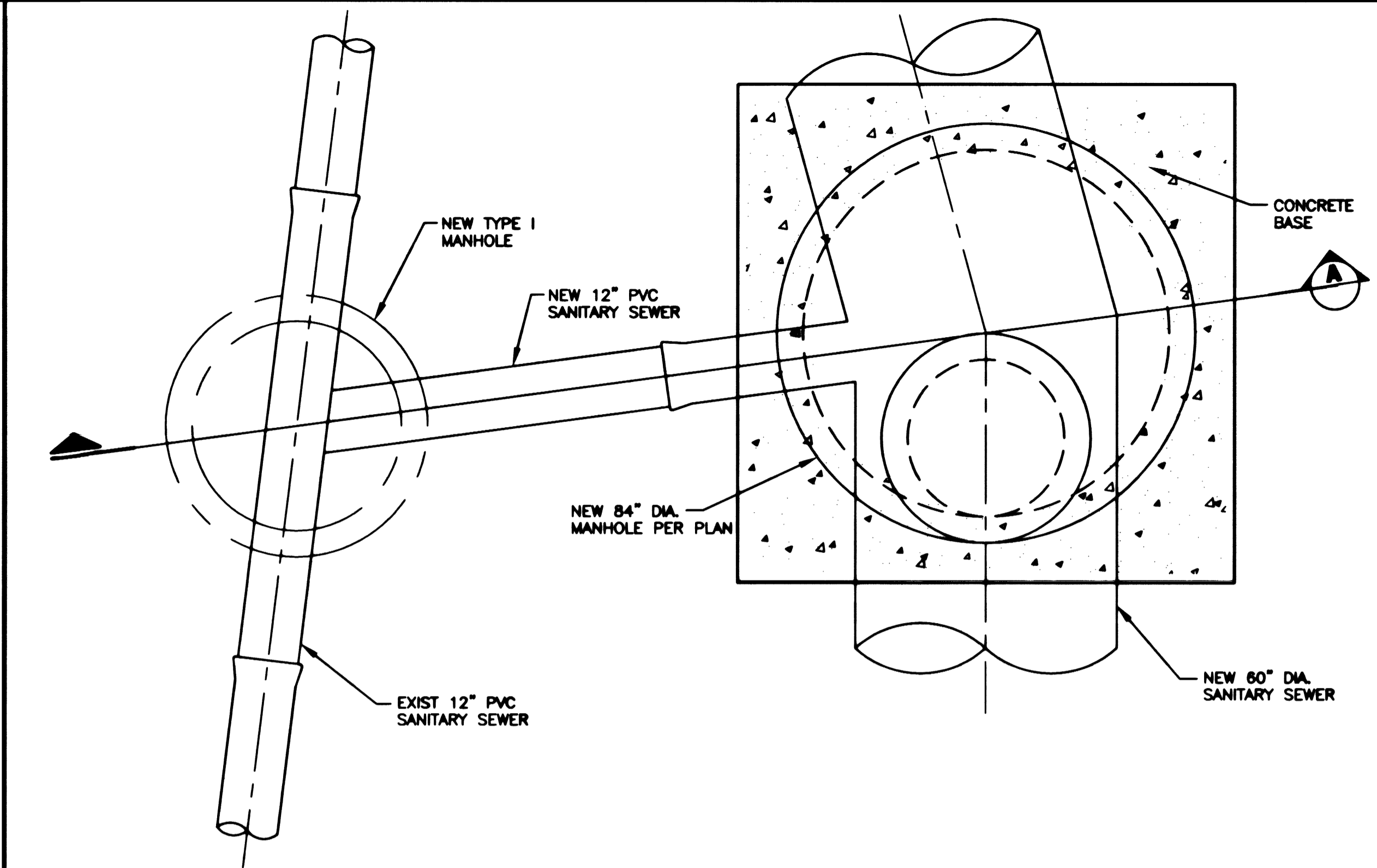


1 CONCRETE COLLAR DETAIL
N.T.S.

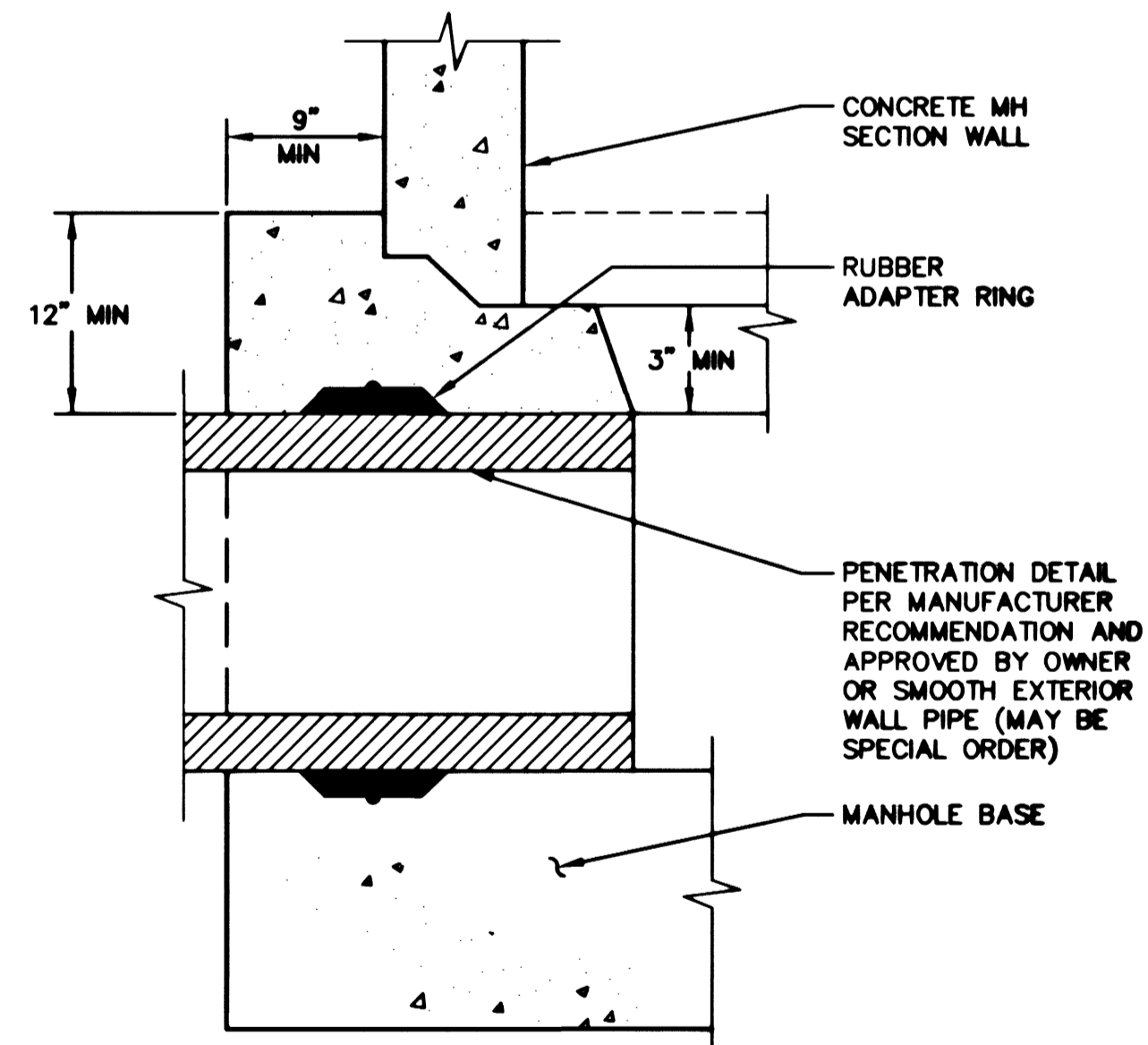


- NOTES:
1. RING AND COVER TO BE NEENAH FOUNDRY CO. TYPE R-1740-D OR EQUAL.
 2. CAST IRON SHALL HAVE MINIMUM TENSILE STRENGTH OF 30,000 LBS/SQ INCH.
 3. FRAME AND COVER MACHINED TO FIT.
 4. WEIGHT OF FRAME AND COVER 875 LBS MINIMUM.
 5. NAME OF AGENCY IF PUBLIC.

2 MODIFIED MANHOLE COVER AND RING
N.T.S.

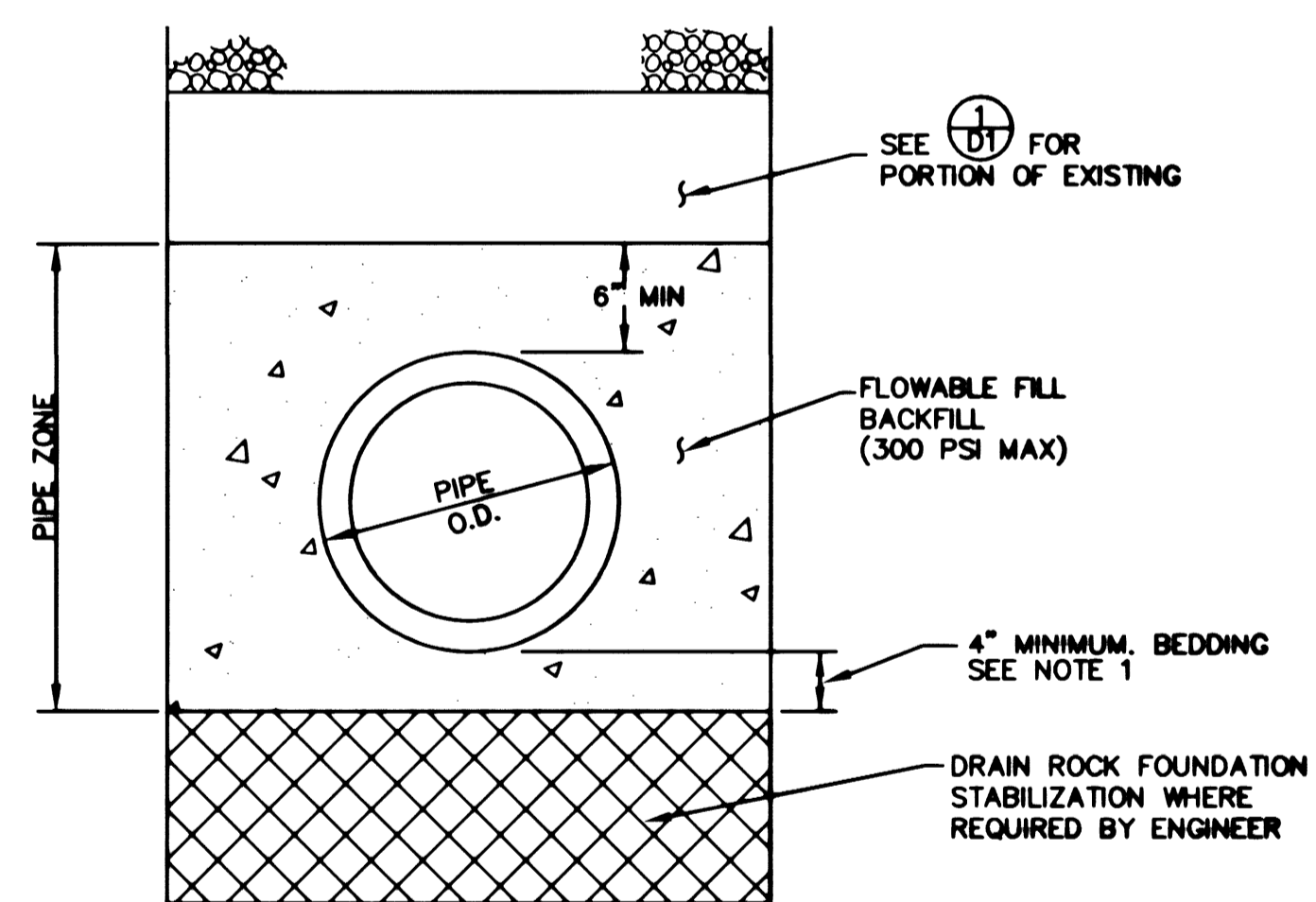


5 DROP MANHOLE DETAIL
N.T.S.



- NOTES:
1. DO NOT STAND ON PIPE WHILE POURING CONCRETE BASE.
 2. USE FOR BOTH DRY AND GROUNDWATER CONDITIONS.

3 MANHOLE PENETRATION DETAIL
N.T.S.

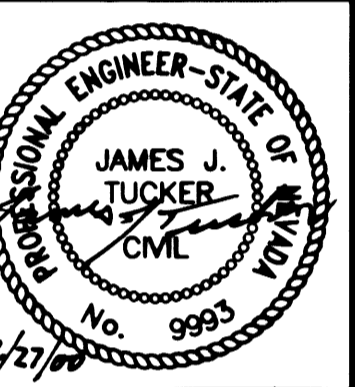


- NOTES:
1. EXCAVATE TO A DEPTH OF AT LEAST 4 INCHES BELOW THE PIPE BOTTOM.
 2. MINIMUM TRENCH WIDTHS AND REQUIRED TRENCH DEPTHS MAY REQUIRE EXCAVATION OF CALICHE.

4 FLOWABLE FILL BACKFILL
N.T.S.

NO.	DATE	DESCRIPTION	APPROVED

US 95/RANCHO SEWER PHASE IB
DRAWN BY: J. J. TUCKER
CHECKED BY: P. THORNTON
DATE: NOV. 9, 2000
51755



Department of Public Works
US 95/RANCHO SEWER PHASE IB
MISCELLANEOUS
MANHOLE DETAILS



DRAWING No. 20
D3
PLAN# 307-V799

