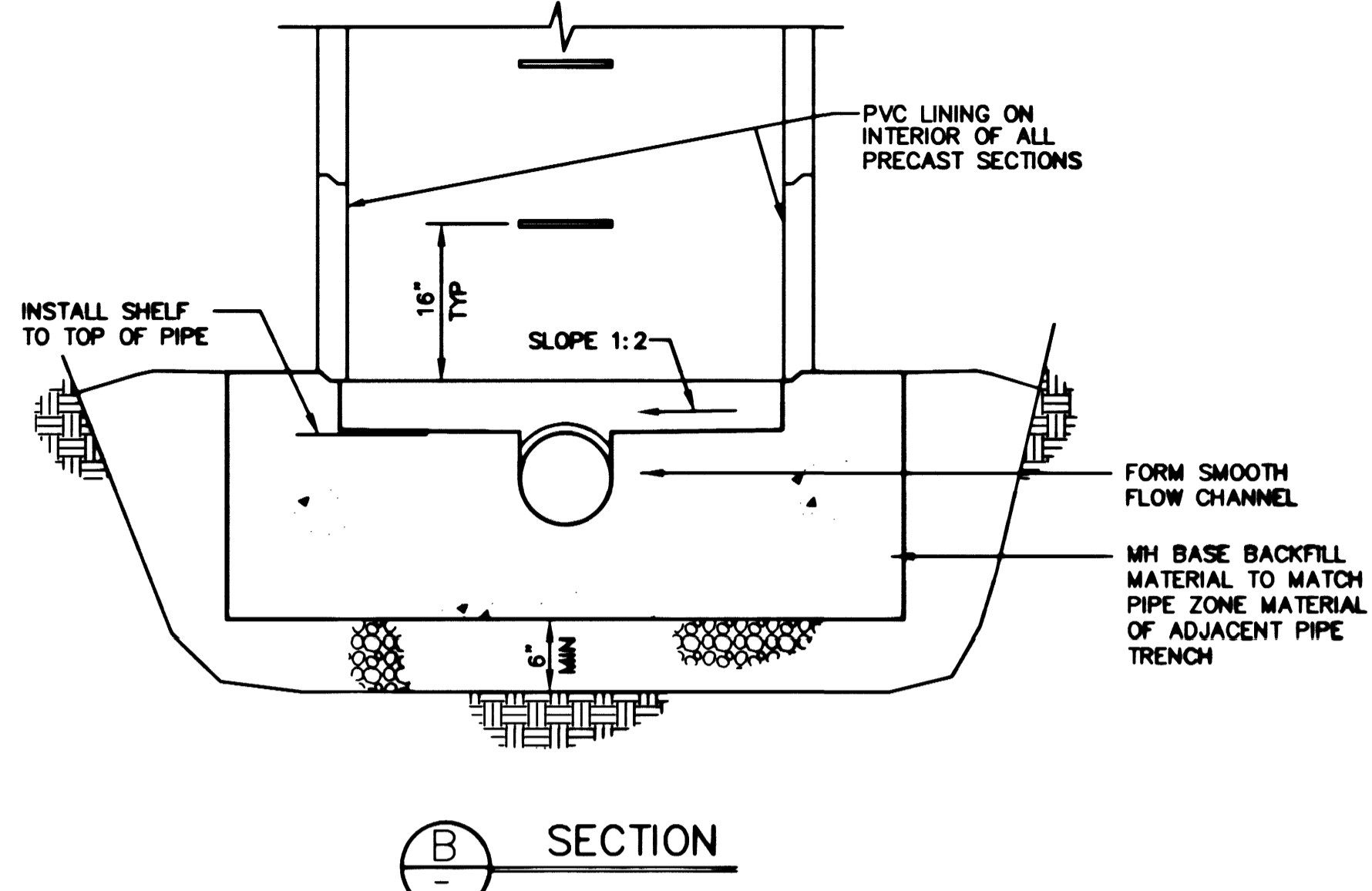
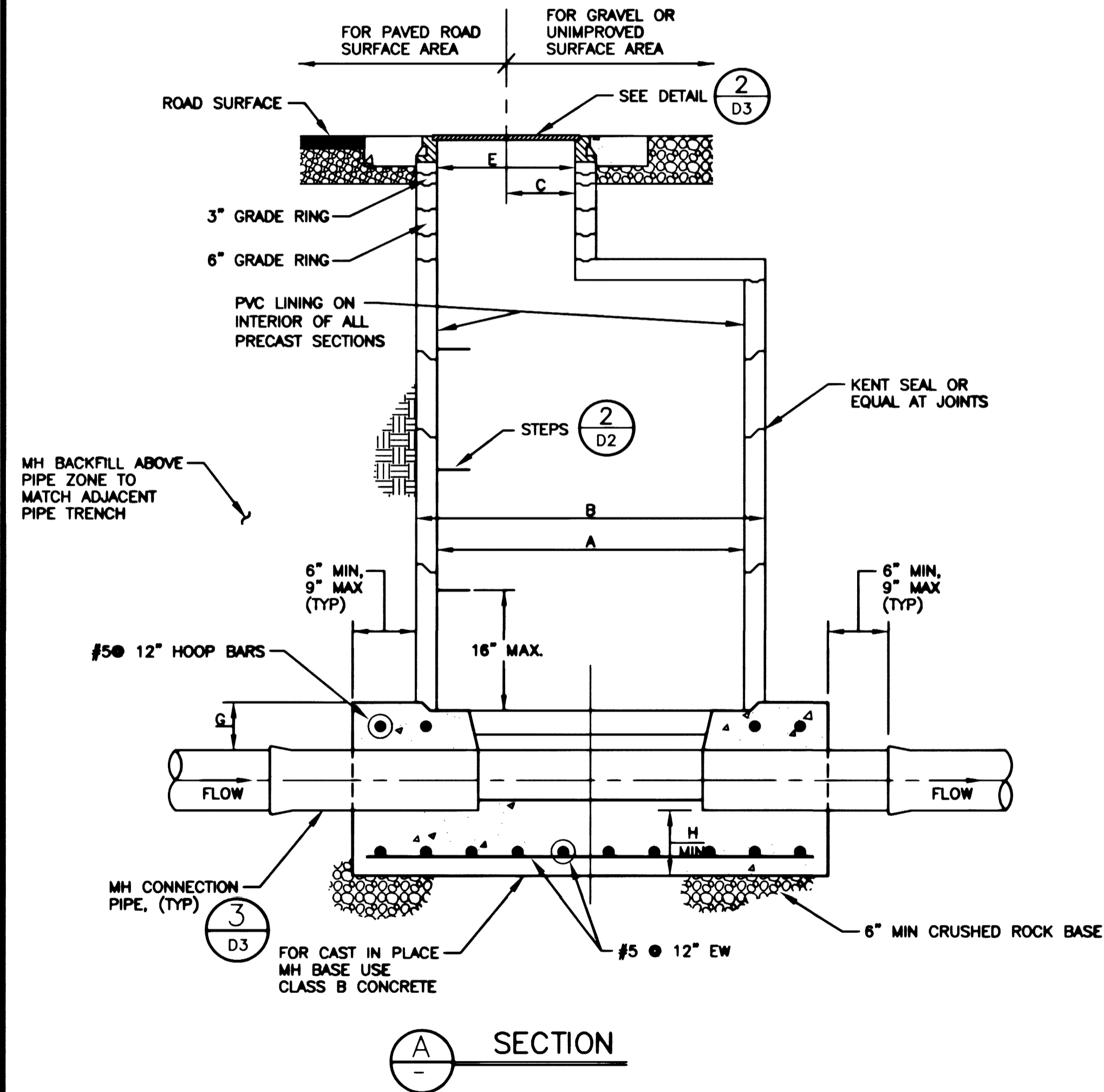


STANDARD MANHOLE BASE PLAN



SECTION B-B

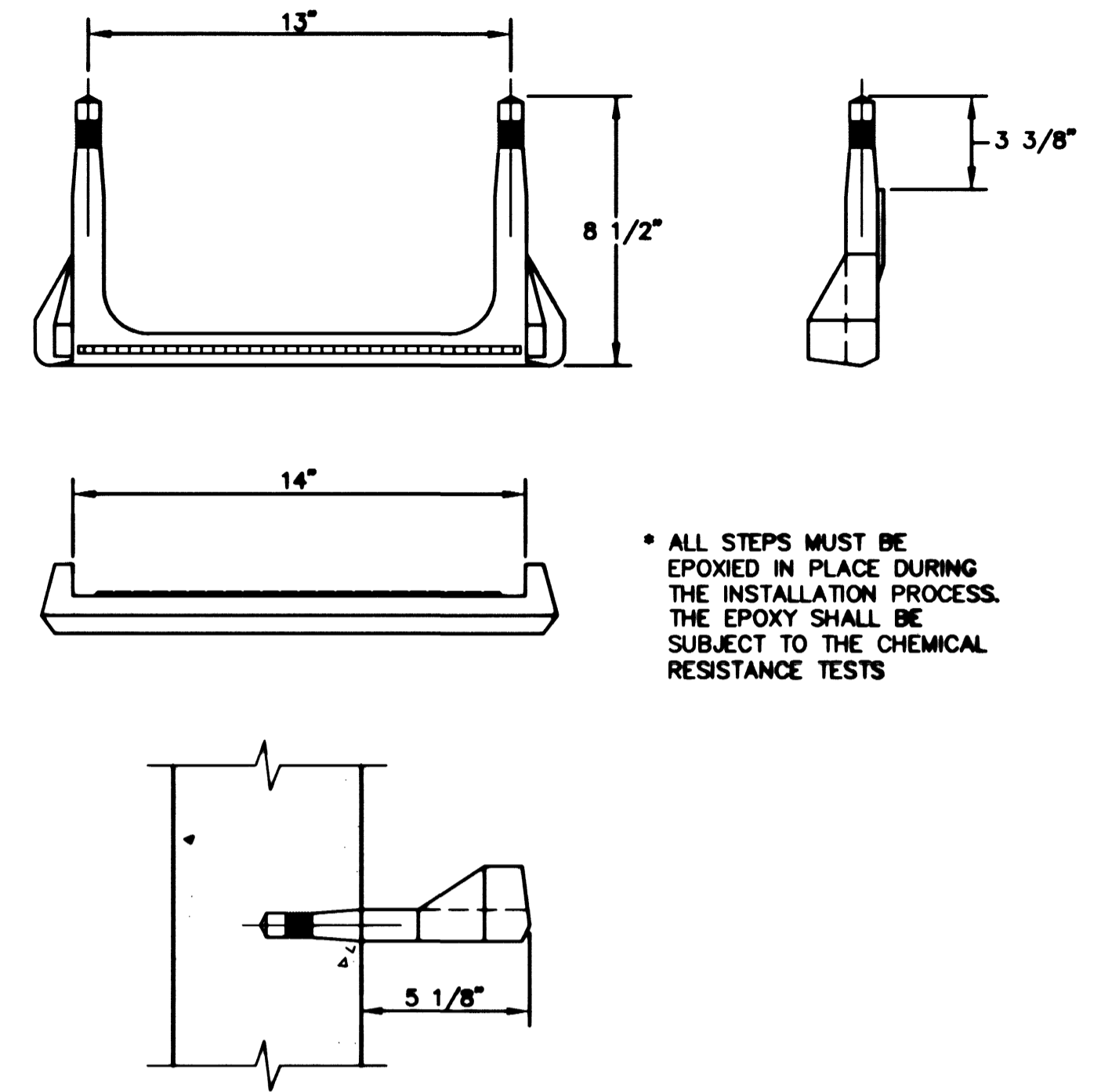


SECTION A-A

1 STANDARD MANHOLE DETAILS
N.T.S.

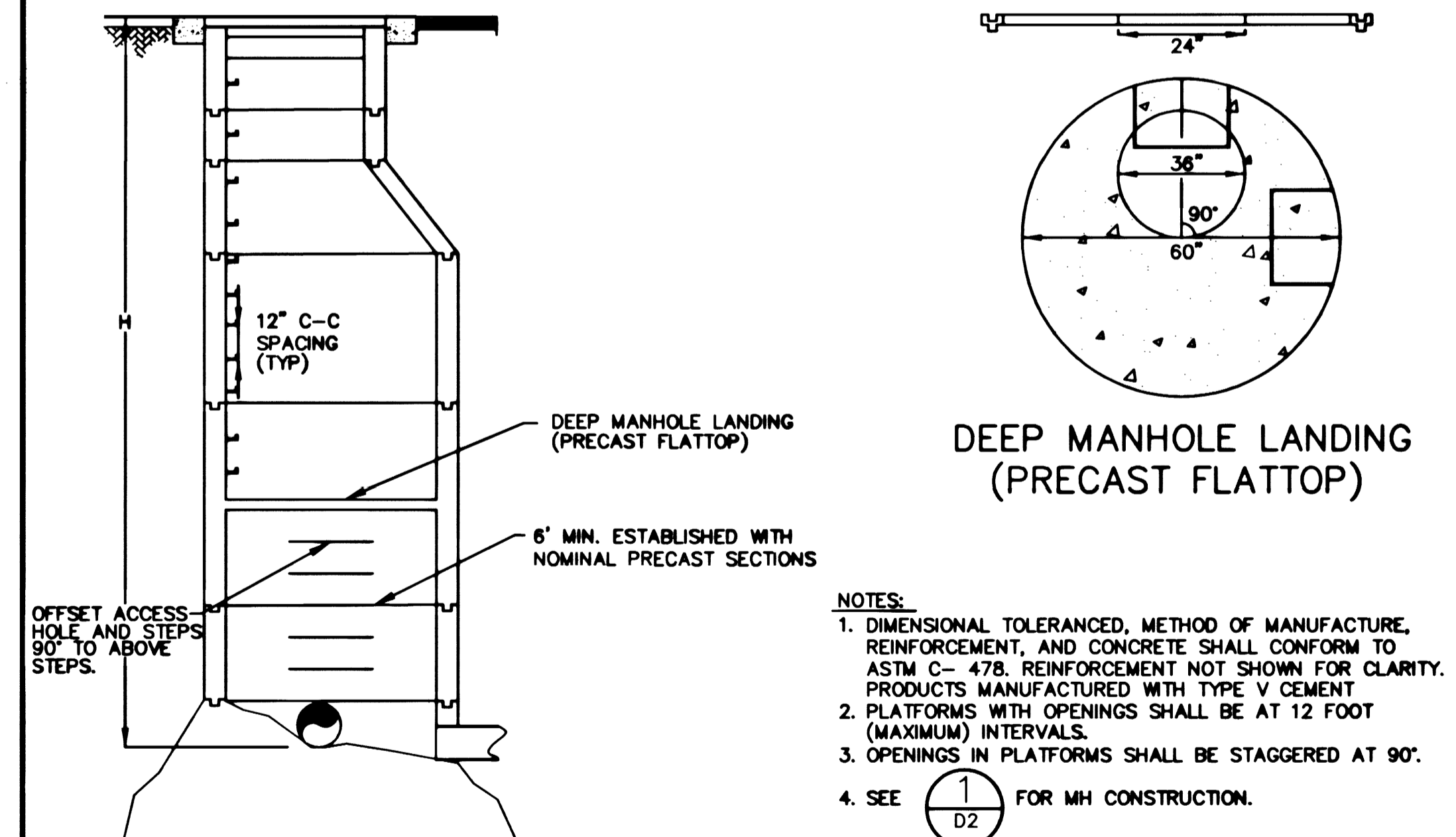
- NOTES:
1. PRECAST CONCRETE SECTIONS SHALL CONFORM TO ASTM DESIGNATION C-478 AS LAST AMENDED. ALL CEMENT TO BE TYPE V.
 2. ALL MANHOLE STEPS SHALL FACE 180° FROM OUTGOING INVERT.
 3. BASES SHALL BE 3000# CONCRETE PER SECTION 4.8.2.
 4. SEE 3 FOR CONST. OF LANDING

SIZE	A	B	C	D	E	F	G	H
72"	72"	84"	18"	NA	36"	NA	6"	12"
84"	84"	96"	18"	NA	36"	NA	6"	12"



- NOTES:
1. MANHOLE STEP SHALL CONFORM TO ASTM C-478 & C-497.
 2. ALUMINUM STEPS SHALL BE SOLID, MADE FROM MATERIAL IN CONFORMANCE WITH ASTM B221, B221 (ALLOY 6005-TS)
 3. REINFORCED PLASTIC STEPS SHALL BE POLYPROPYLENE PLASTIC COATED, #3 DEFORMED STL ROD (GRADE 60/ASTM A-615)

2 STANDARD MANHOLE STEPS
N.T.S.



3 DEEP MANHOLE LANDING DETAIL (H > 18')
N.T.S.

US 95/RANCHO SEWER PHASE IB

DESIGNED BY: P. THURNTON
CHECKED BY: J.J. TUCKER
DATE: NOV. 9, 2000

PROFESSIONAL ENGINEER - STATE OF NEVADA
JAMES J. TUCKER
No. 9993
12/27/00

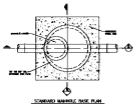
Department of Public Works
US 95/RANCHO SEWER PHASE IB
MISCELLANEOUS
MANHOLE DETAILS

CITY OF LAS VEGAS
NEVADA

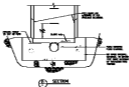
DRAWING No. 19
D2
PLAN# 307-V799

77

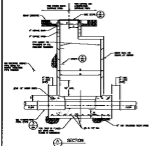
NO.	DATE	DESCRIPTION	APPROVED



STANDARD MANHOLE BASE PLAN



SECTION



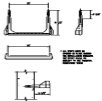
SECTION

STANDARD MANHOLE DETAILS
N.T.S.

NOTES:

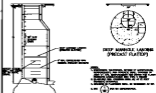
1. ALL DIMENSIONS ARE IN FEET AND INCHES.
2. ALL DIMENSIONS ARE TO FACE UNLESS OTHERWISE NOTED.
3. SEE SECTION 05110 FOR DETAILS.

MANHOLE



MANHOLE STEPS
N.T.S.

STANDARD MANHOLE STEPS
N.T.S.



DEEP MANHOLE LANDING DETAIL (H > 10')
N.T.S.