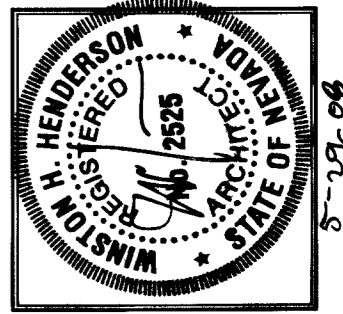


1	2007-04-14	DATE
2	2008-07-03	REVISION
3	2008-07-03	REVISION
4	2008-07-03	REVISION
5	2008-07-03	REVISION
6	2008-07-03	REVISION
7	2008-07-03	REVISION
8	2008-07-03	REVISION
9	2008-07-03	REVISION
10	2008-07-03	REVISION
11	2008-07-03	REVISION
12	2008-07-03	REVISION



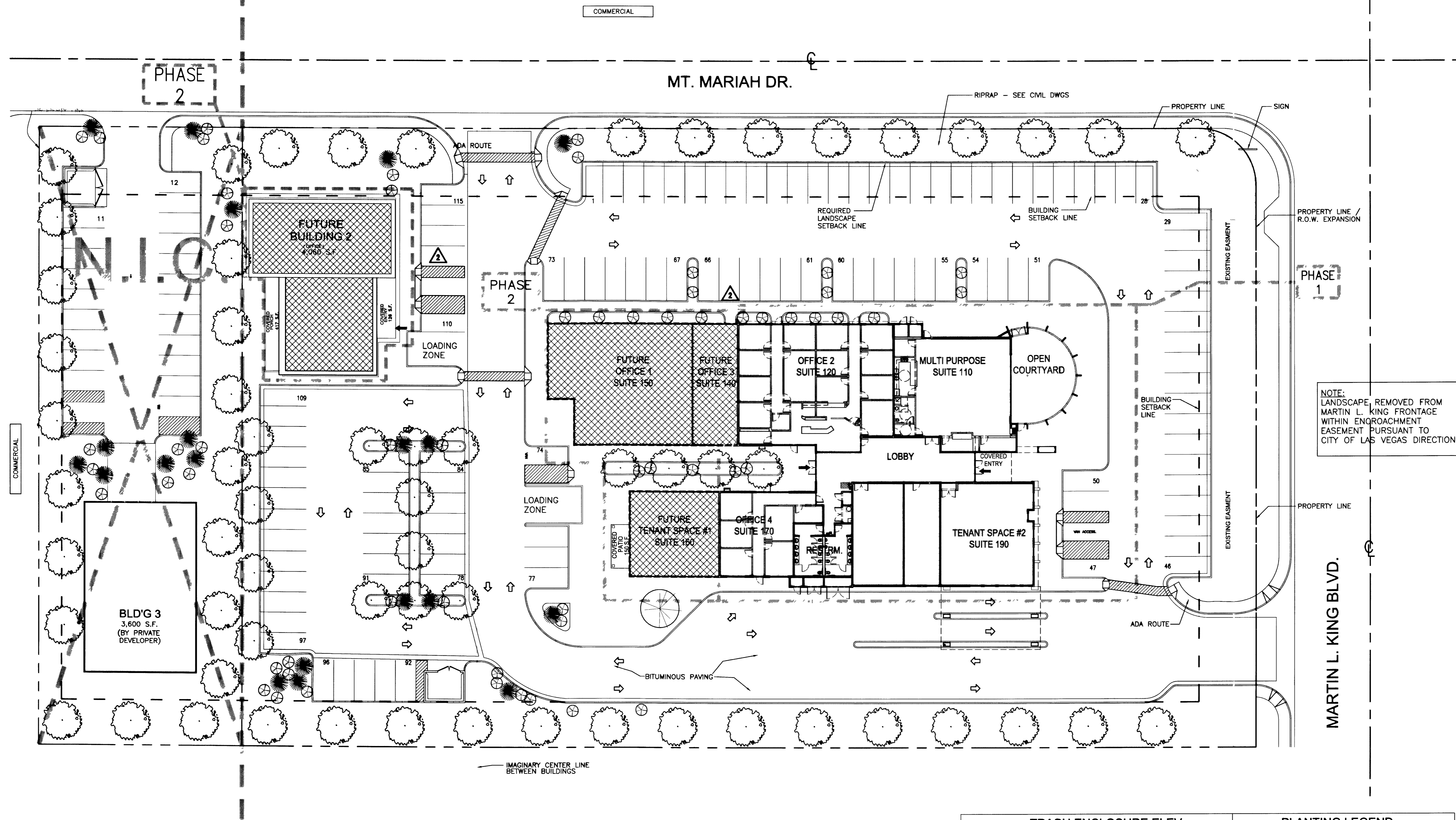
**WINSTON H. HENDERSON ARCHITECTS**  
 1555 EAST FLAMINGO ROAD STE 1650, LAS VEGAS, NV 89119  
 OFFICE (702) 883-9790 FAX (702) 883-9797

**URBAN CHAMBER OF COMMERCE - BUILDING 1**  
 1595 MT. MARIAH DR.  
 LAS VEGAS, NEVADA

LANDSCAPE PLAN

Date: 2005-04-12  
 Job No.: 02-211  
 Designed: W.H.H.  
 Drawn: A.D.H.  
 Update: 2007-08-23  
 Checked: T.E.P.

Sheet  
**AL1**  
 x of x

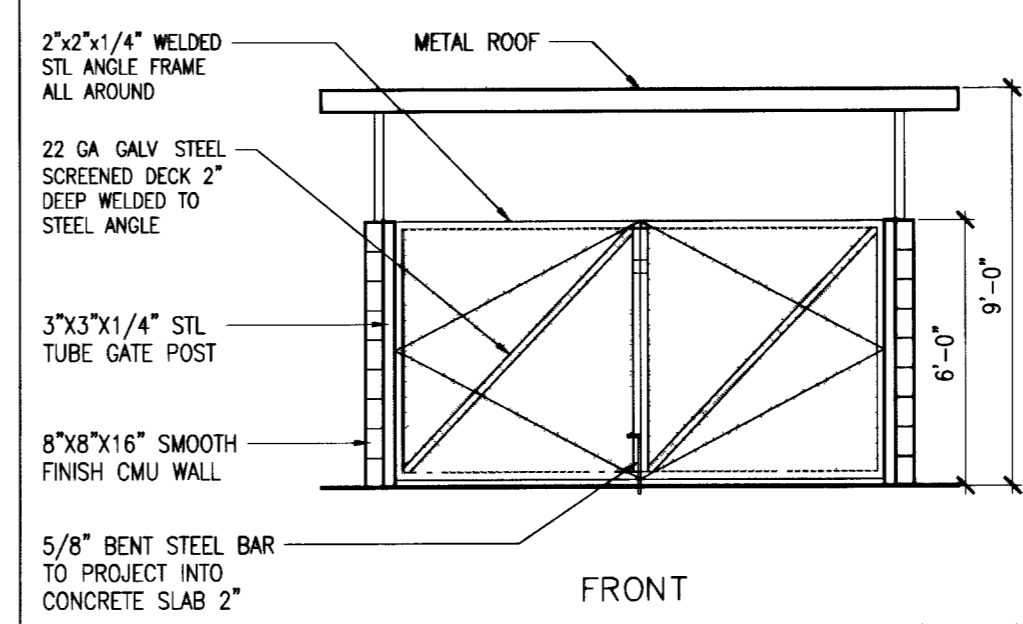


NOTE:  
 LANDSCAPE REMOVED FROM  
 MARTIN L. KING FRONTAGE  
 WITHIN ENROACHMENT  
 EASEMENT PURSUANT TO  
 CITY OF LAS VEGAS DIRECTION

**1 LANDSCAPE PLAN**  
 SCALE: 1" = 20'-0"  
 URBAN CHAMBER OF COMMERCE 02211 AS1.0



TRASH ENCLOSURE ELEV.		PLANTING LEGEND			
SYMBOL	BOTANICAL NAME/ COMMON NAME	SIZE	QTY.	SPACING	
	CERCIDIUM DESERT MUSEUM/ PALO VERDE	24" BOX	59	30' O.C.	
	RHUS LANCEA/ AFRICAN SUMAC	36" BOX	2	30' O.C.	
	LEUCOPHYLLUM LAEVIGATUM/ CHIHUAHUAN RAIN SAGE	15 GAL	36	15' O.C.	
	LAVANDULA STOECHAS/ SPANISH LAVENDER	5 GAL	53	4' O.C.	



111934

HANSEN \* 11051  
 CLV \* 107V5065