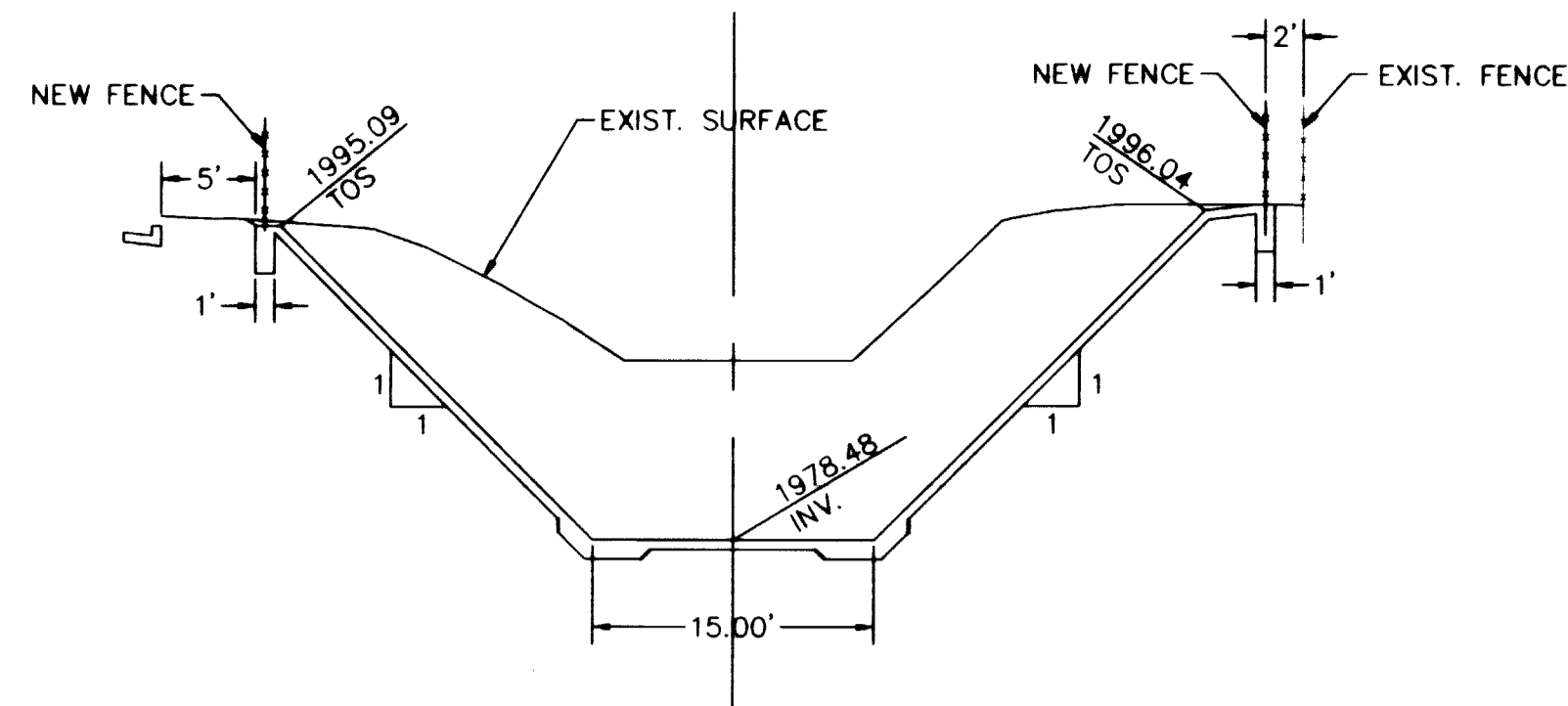
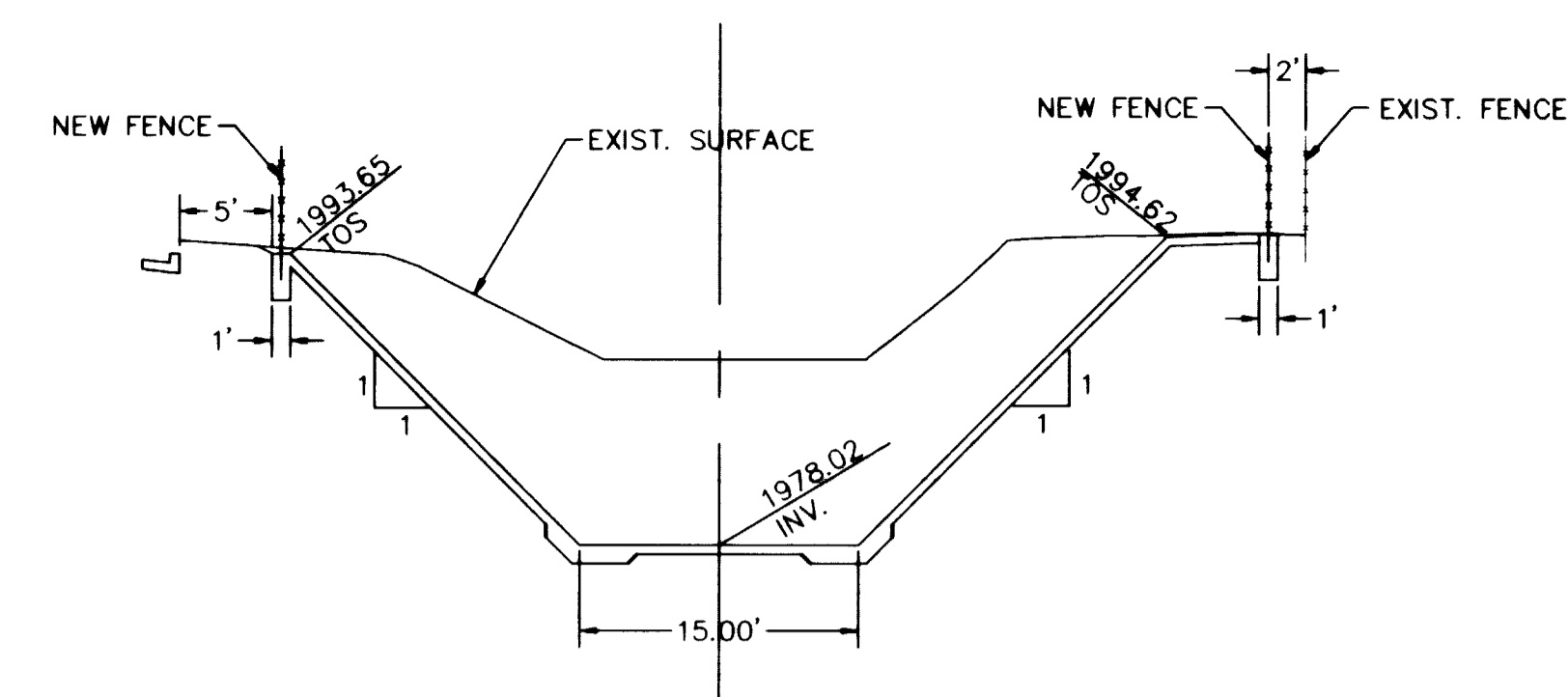


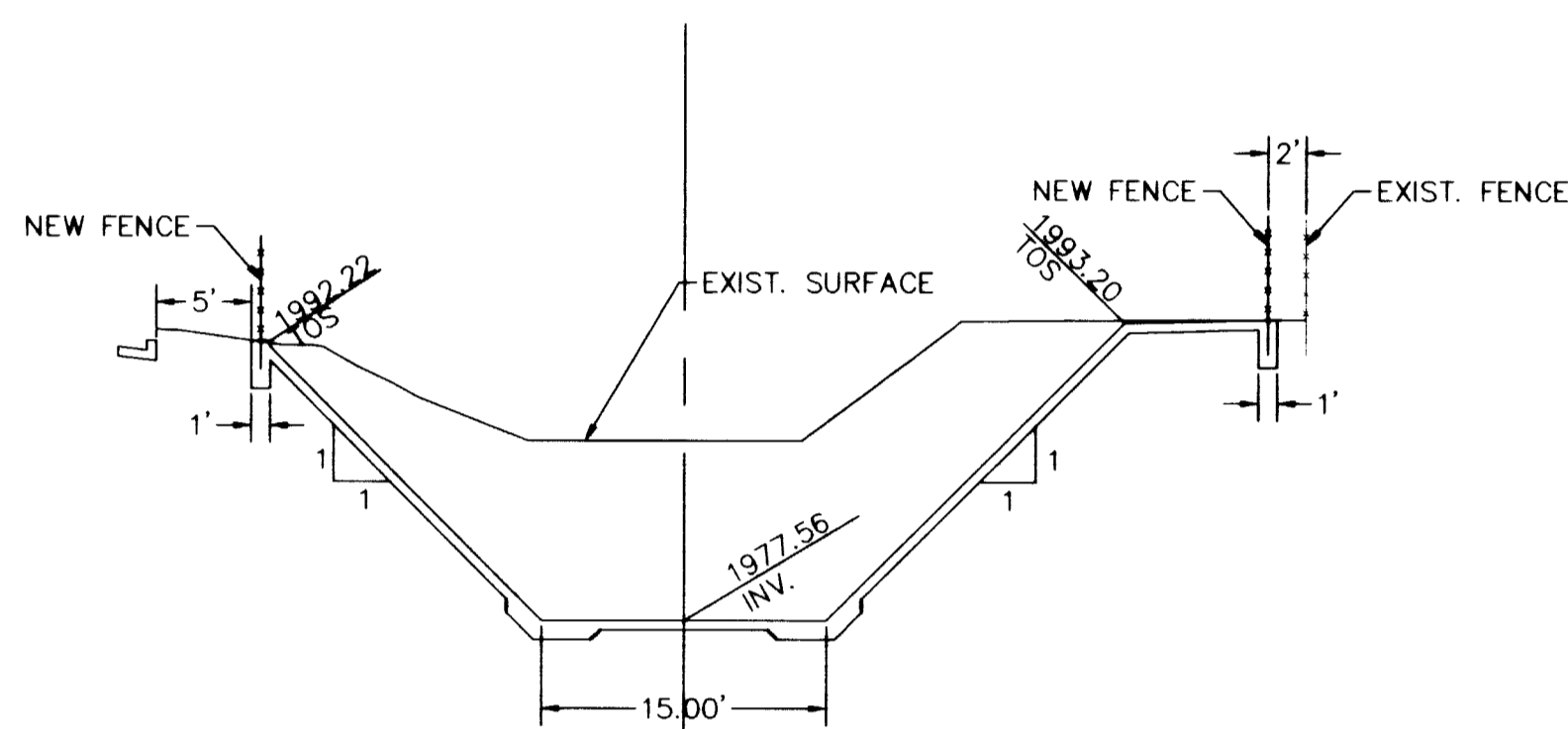
SECTION 1-1 NTS  
STA. 130+22.29



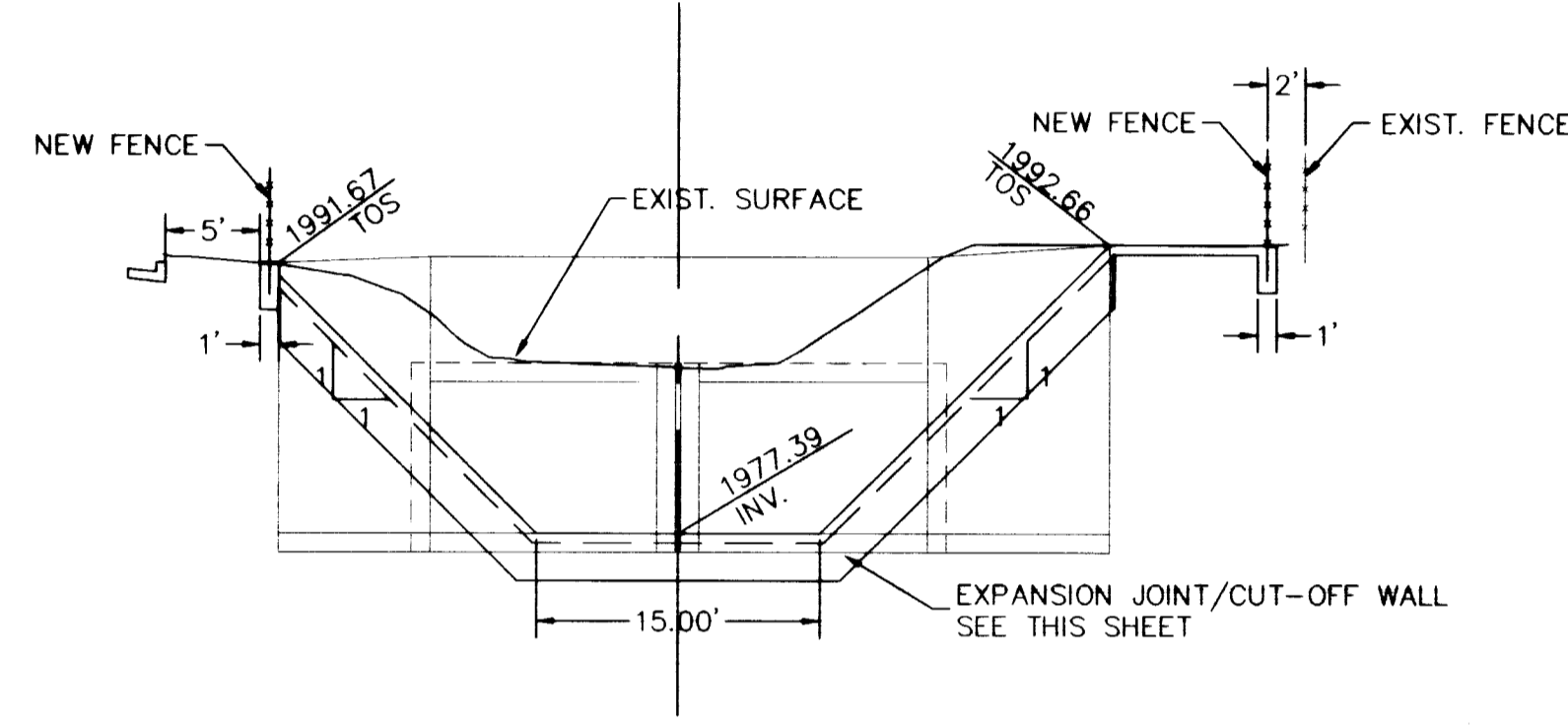
SECTION 2-2 NTS  
STA. 130+79.22



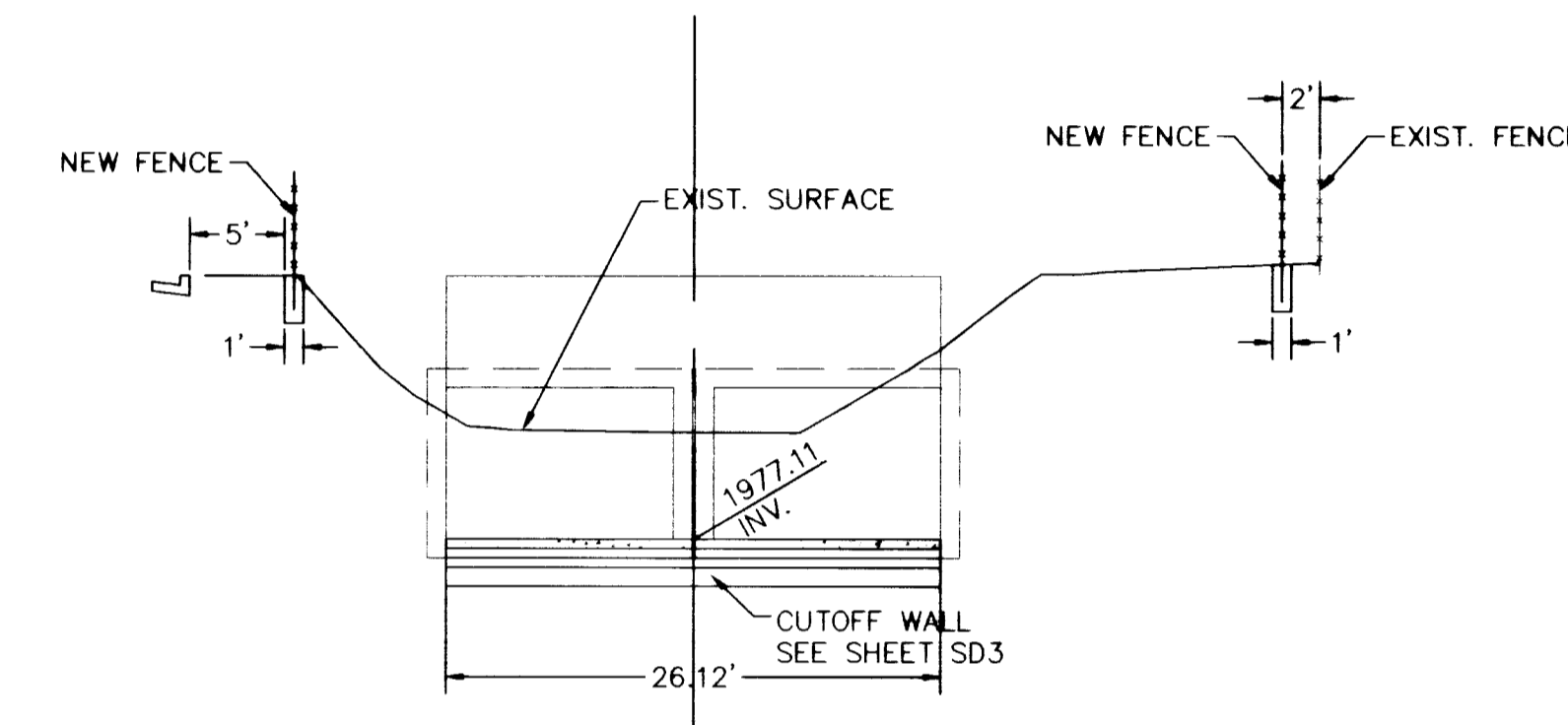
SECTION 3-3 NTS  
STA. 131+36.15



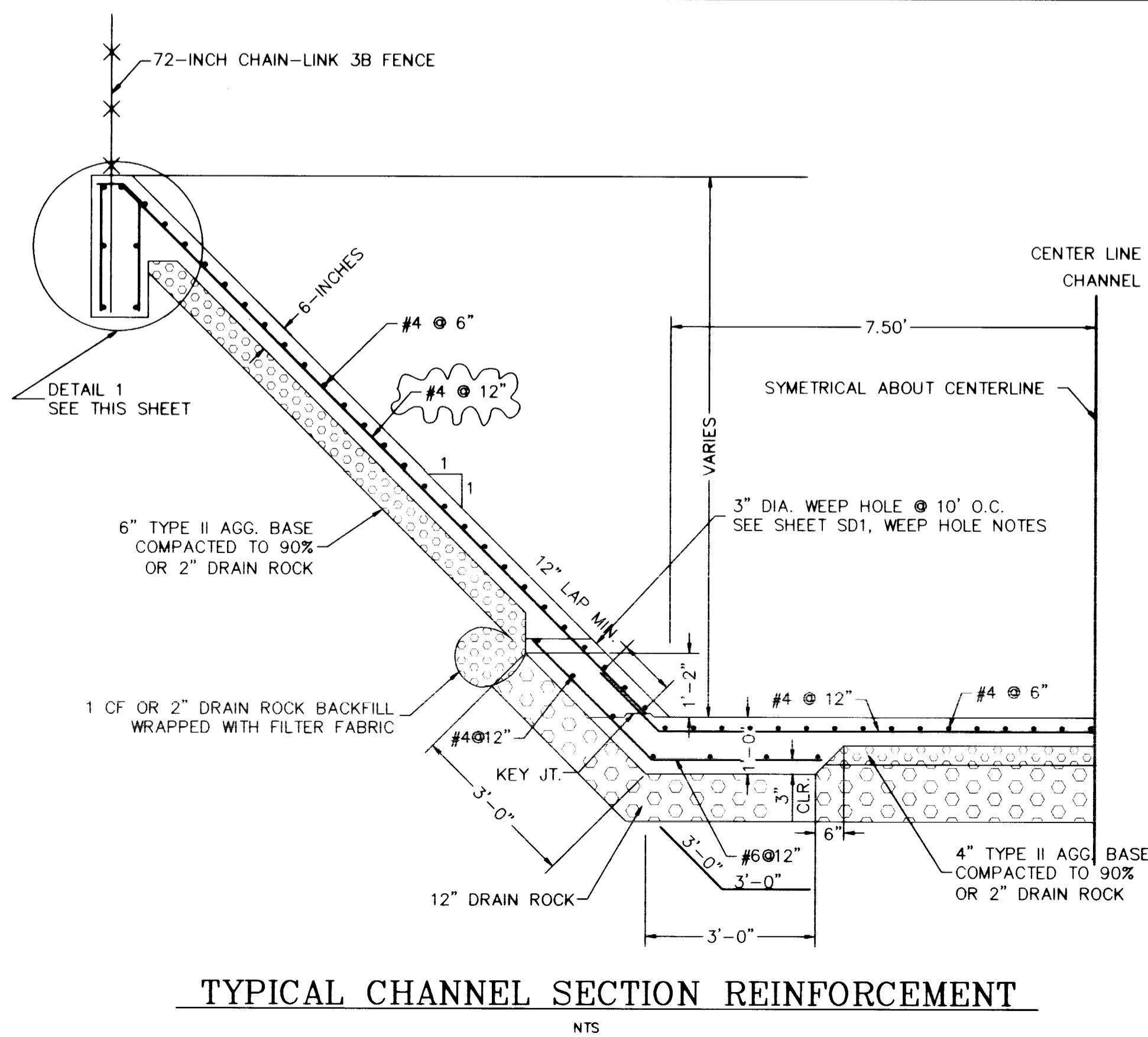
SECTION 4-4 NTS  
STA. 131+93.08



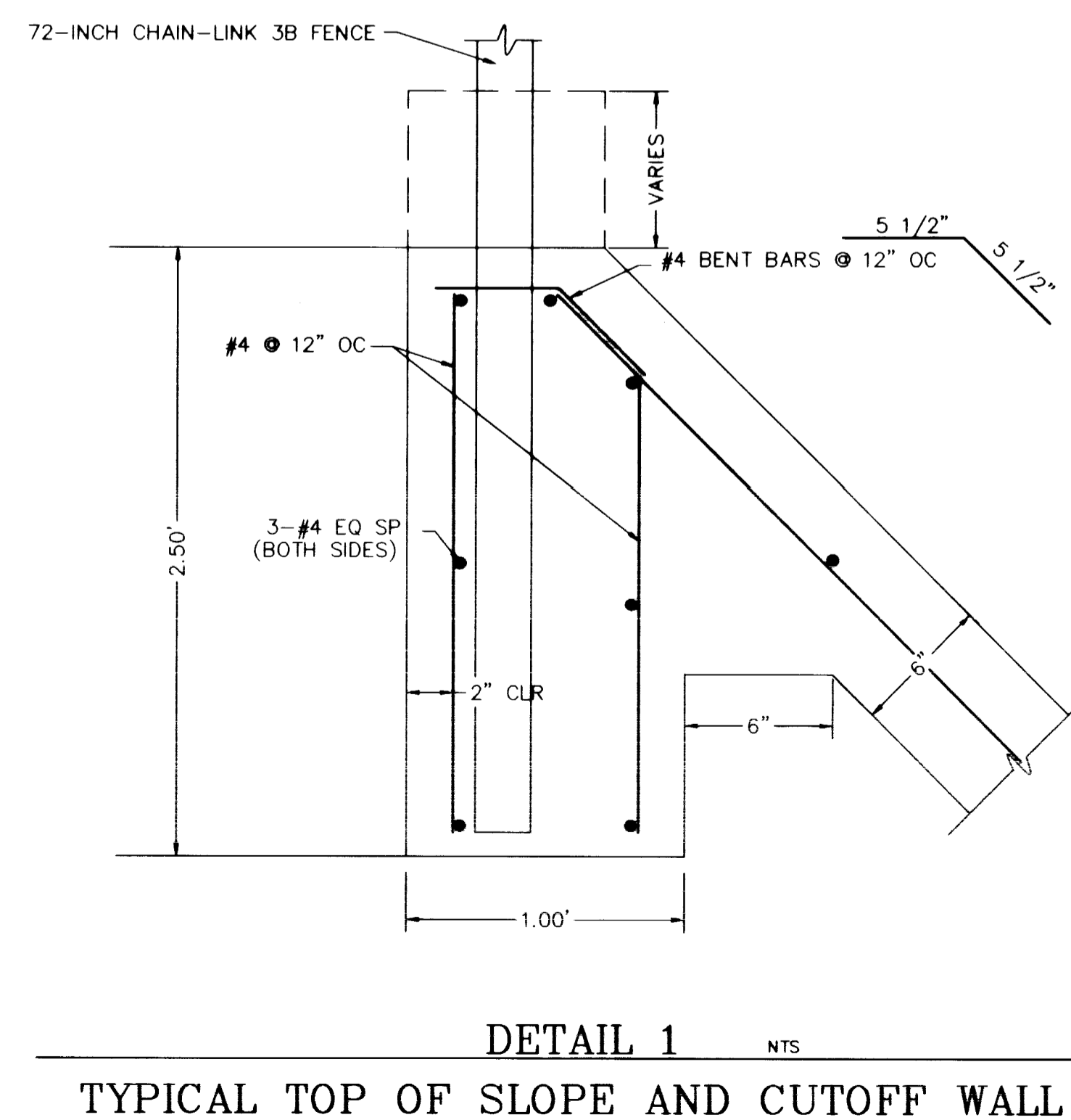
SECTION 5-5 NTS  
STA. 132+15



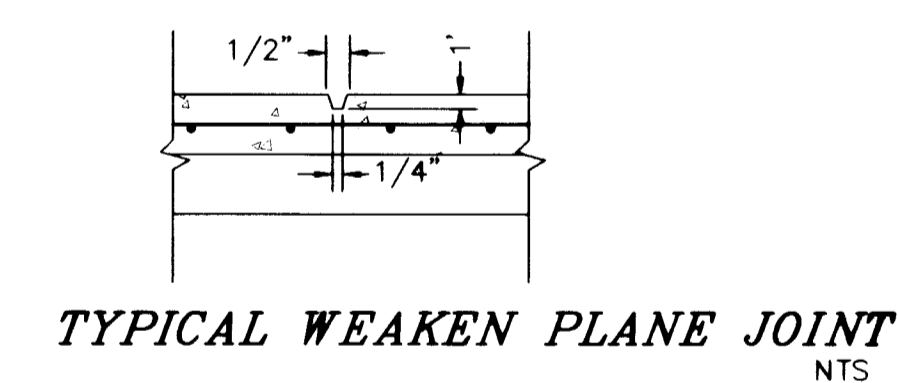
SECTION 6-6 NTS  
STA. 132+50



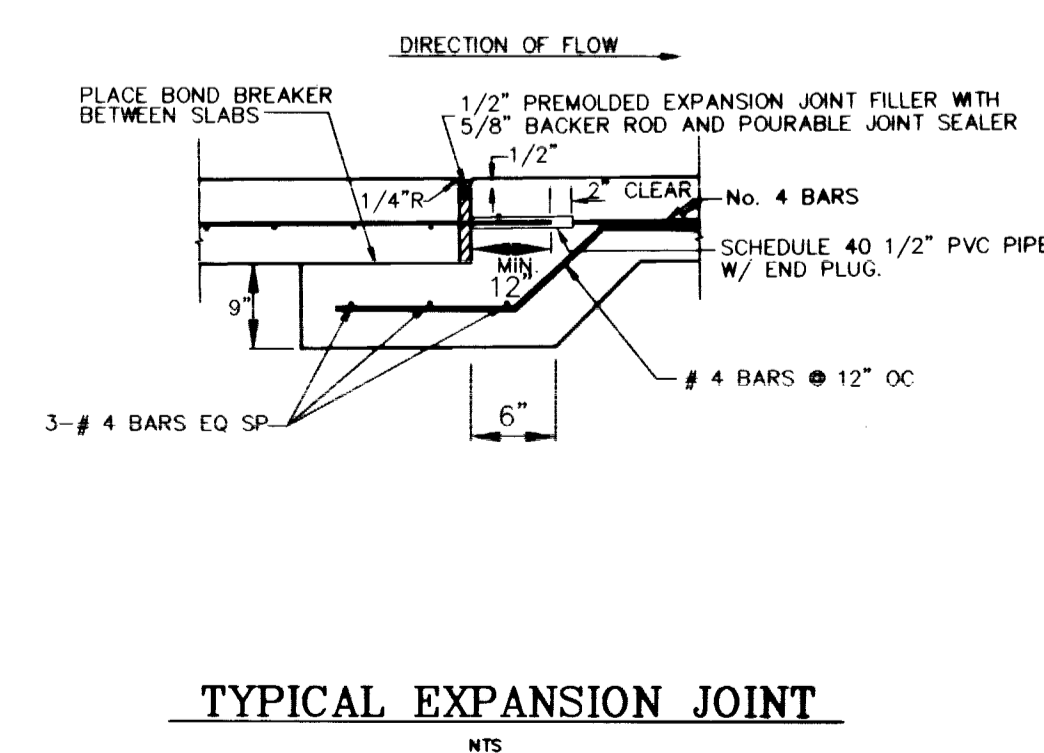
TYPICAL CHANNEL SECTION REINFORCEMENT NTS



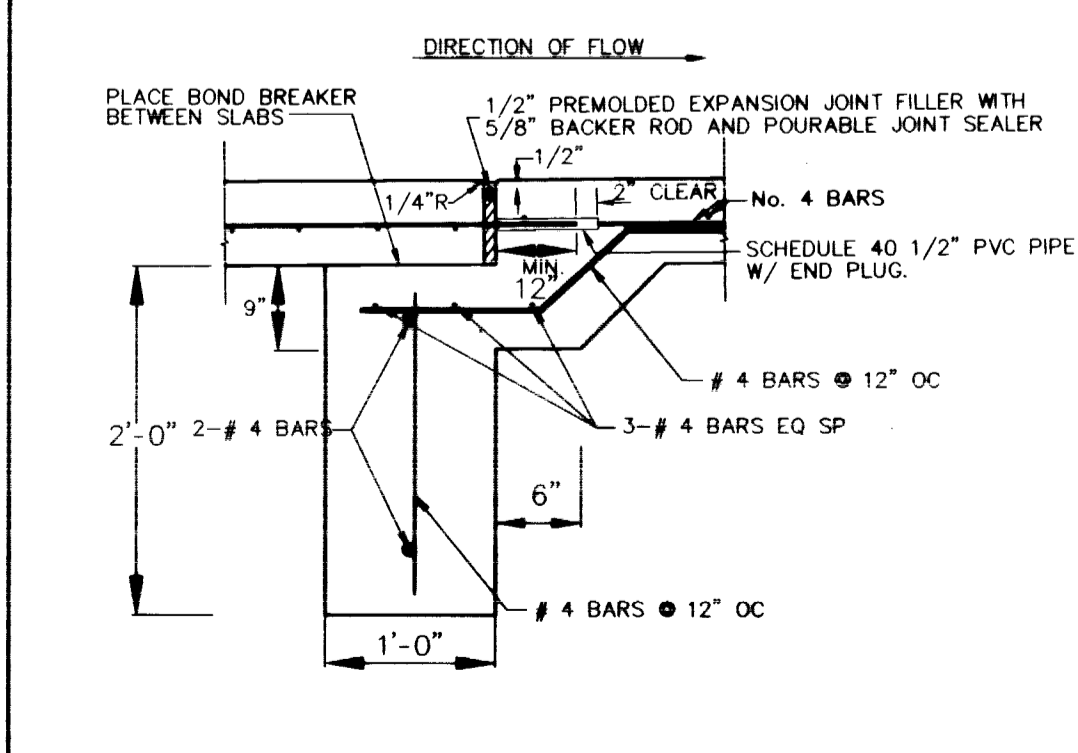
DETAIL 1 NTS  
TYPICAL TOP OF SLOPE AND CUTOFF WALL



TYPICAL WEAKEN PLANE JOINT NTS



TYPICAL EXPANSION JOINT NTS



EXPANSION JOINT/CUT-OFF WALL AT STATION 132+15 NTS

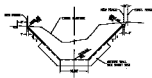
REVISIONS	No.	Date

**RECORD DRAWING**  
This drawing is to be used for construction purposes only. It is not to be used for any other purpose without the written consent of the engineer. The engineer is not responsible for any errors or omissions in this drawing.

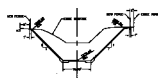
DESIGNED BY: ET  
DRAWN BY: JEG  
CHECKED BY: JEG  
JOB NO: 861-96  
HORIZ: AS NOTED  
VERT: AS NOTED  
DATE: 12/01/99

**Carter Burgess**  
Consultants in Engineering, Planning, and Construction  
2955 East Sunset Road, Suite 105  
Las Vegas, NV 89120  
(702) 798-1007 Fax (702) 798-7056

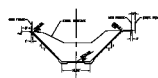
PROJECT: CITY OF LAS VEGAS  
UPPER WASHINGTON AVENUE CONVEYANCE SYSTEM  
DESCRIPTION: PHASE 1  
TRAPEZOIDAL CHANNEL  
DRAWING NO. 731-54E  
SHEET SD4  
15 OF 35



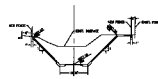
SECTION 1-1  
STA. 130+25.50



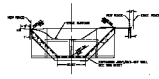
SECTION 2-2  
STA. 130+79.25



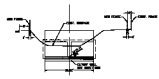
SECTION 3-3  
STA. 131+36.15



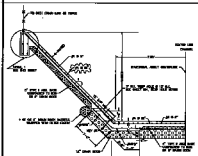
SECTION 4-4  
STA. 131+60.00



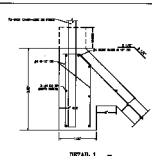
SECTION 5-5  
STA. 132+10



SECTION 6-6  
STA. 132+50



TYPICAL CHANNEL SECTION REINFORCEMENT



DETAIL 1  
TYPICAL TOP OF SLOPE AND CUTOFF WALL



TYPICAL SQUARE JOINT



REINFORCEMENT DETAIL OF WALL  
AT SECTION 132+50

CITY OF AUSTIN  
 ENGINEERING DEPARTMENT  
 731-548  
 SD4  
 18 of 30