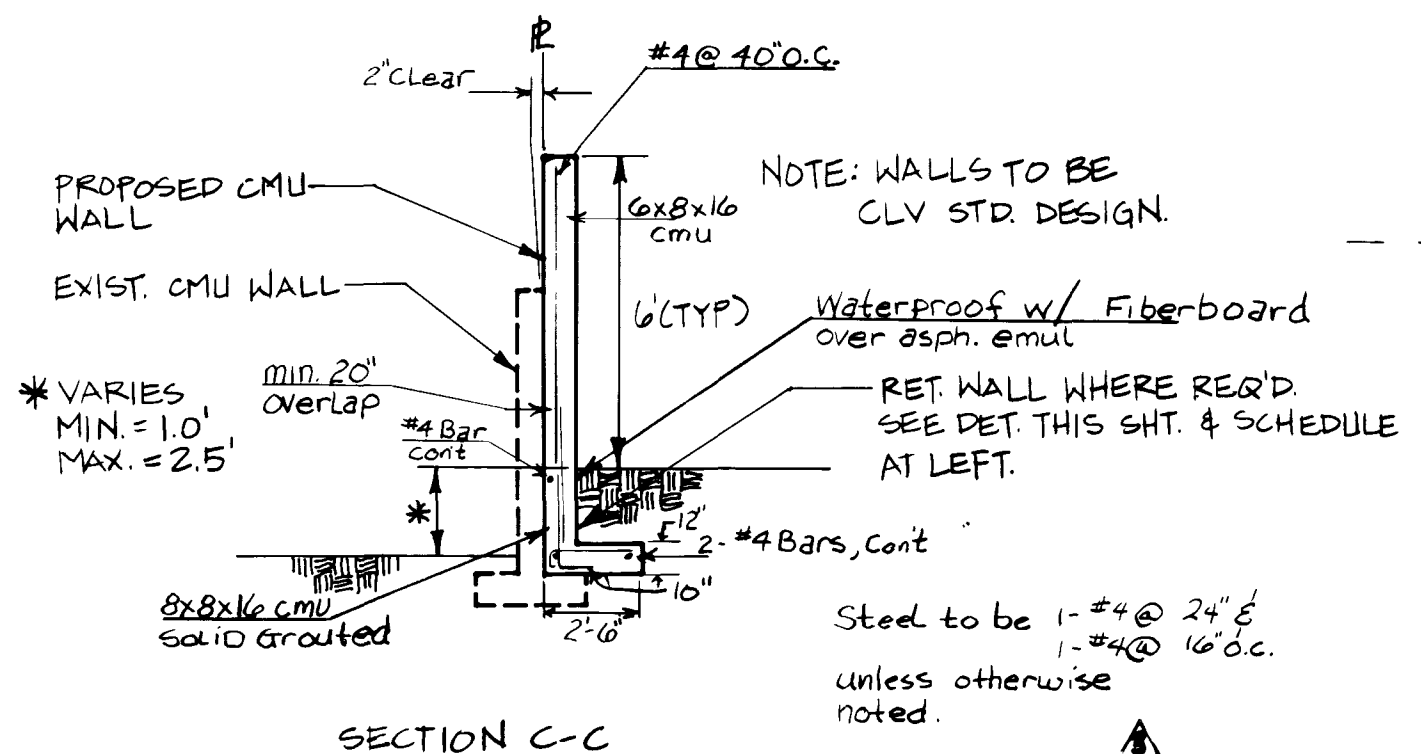


**RETAINING WALL SCHEDULE**

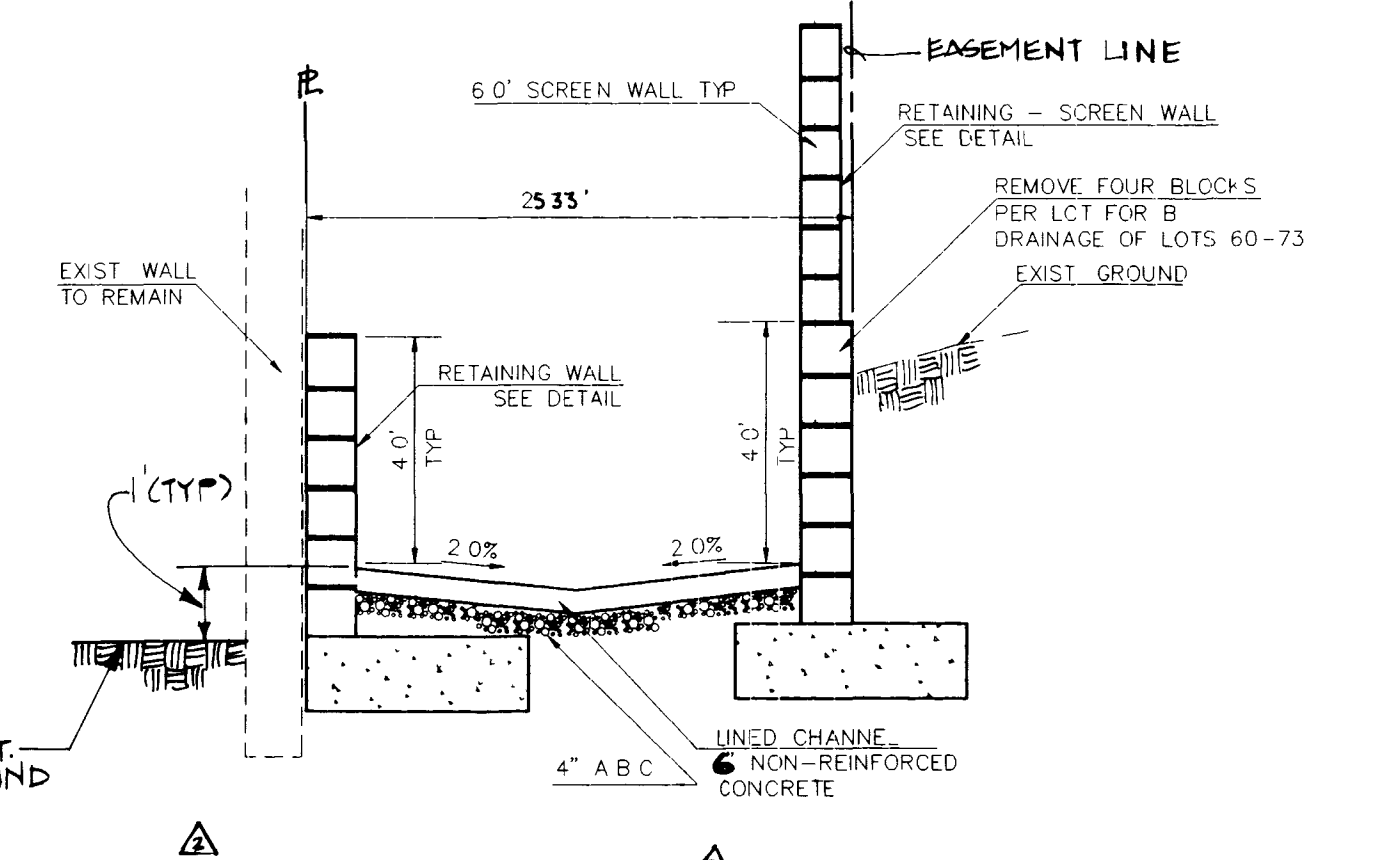
WALL HEIGHT	LOT #S
1.5'	5, 6, 17-22, 24-25, 28-30, 34-36
2.0'	7, 8, 13-16, 23, 26, 27, 31-33
2.5'	9-12

**CURVE DATA**

NO.	DELTA	RADIUS	TANGENT	LENGTH
1	34°47'49"	135.00'	42.30'	81.99'
2	14°12'55"	407.22'	50.78'	101.03'
3	14°12'55"	407.22'	50.78'	101.03'
4	36°50'55"	175.00'	58.30'	112.55'
5	90°00'00"	175.00'	175.00'	274.89'



**Rancho Road**



Match Line See Sheet No. 5

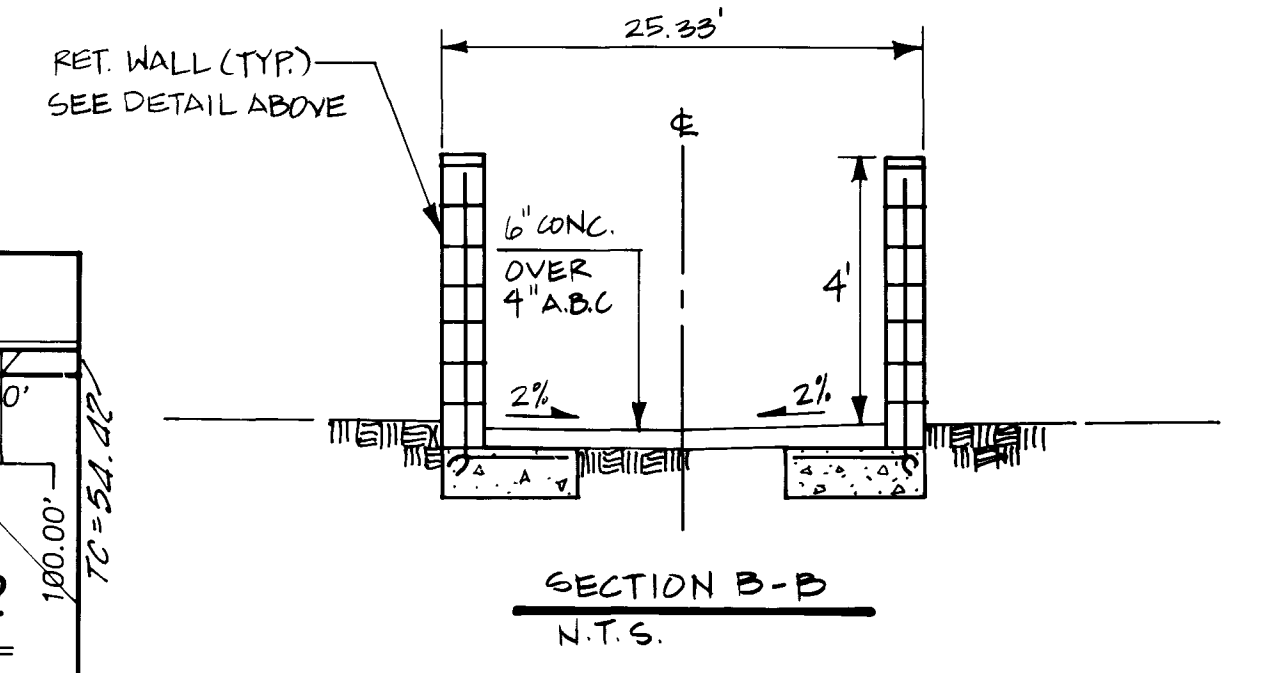
INSPECTIONS REQUIRED

- FOOTING PRIOR TO PLACING CONCRETE
- WALL STEEL AT EACH CHANGE OF BLOCK SIZE BEFORE GROUTING
- FINAL INSPECTION AFTER COMPLETION

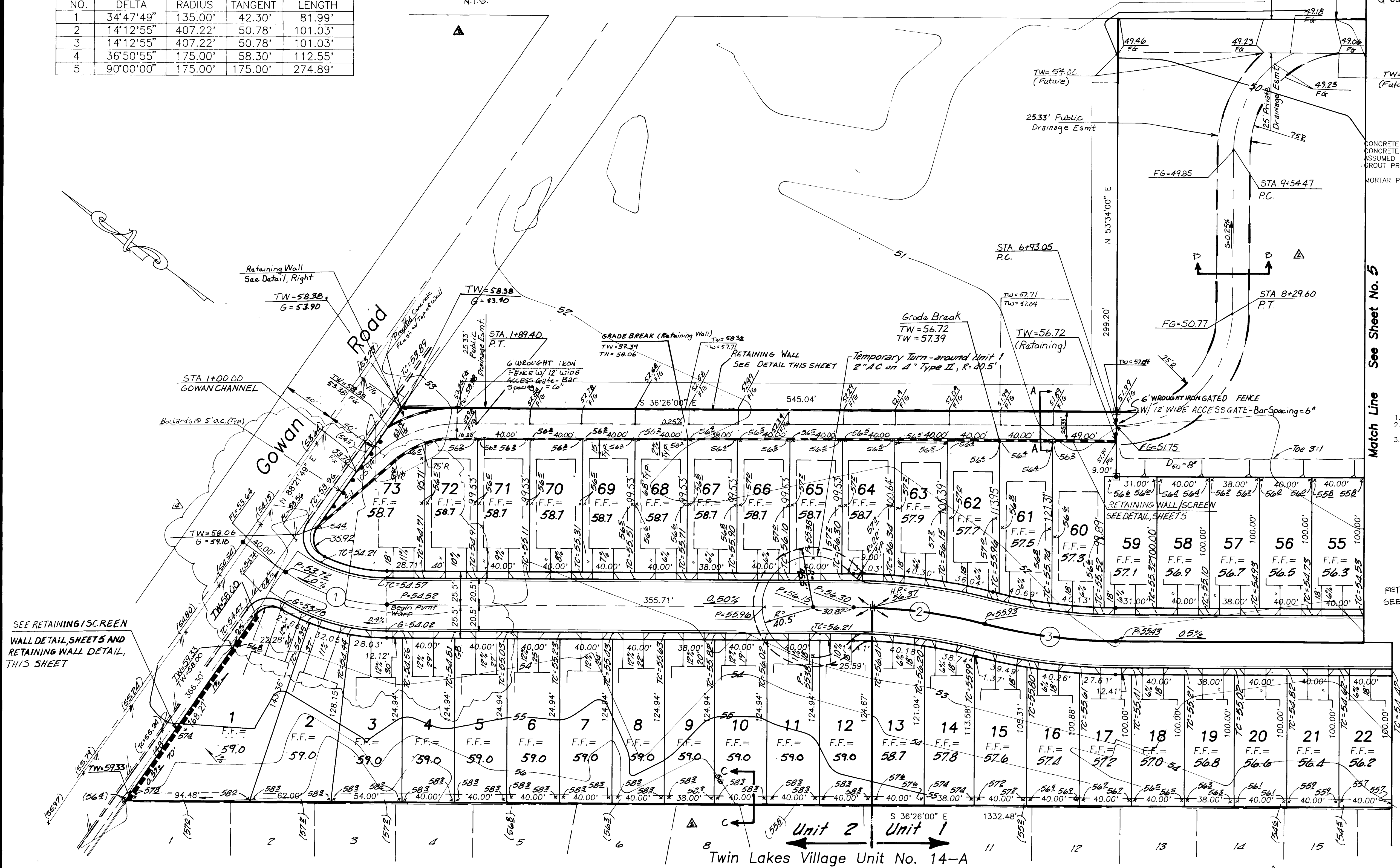
TYPICAL SECTION - 5' MAX.

H	S	T	B	X	Y
3'	6"	8"	3/8"	#4@32" OC	#4@24" OC
4'	6"	8"	3/8"	#4@24" OC	#4@16" OC
5'	6"	6"	3/16"	#5@16" OC	#5@16" OC

**TYP. RETAINING WALL DETAIL**



"I CERTIFY THAT THIS GRADING PLAN IS IN CONFORMANCE WITH THE APPROVED DRAINAGE STUDY ON FILE AT THE CITY OF LAS VEGAS FOR THIS PROJECT."



Engineering - Planning - Surveying  
Landscape Architecture - Urban Design  
Offices located in Tucson, Phoenix  
Las Vegas, and Victor Valley, CA

Trilogy

Grading & Drainage Plan

No.	Date	Item	Scale
1	4/21/94	MRO	FF. ELEV. - LOTS 1-12, 68-73
2	9-8-94	ADD SECTIONS	
3	10-11-94	CLARIFY SECTION C-C WALL DETAIL	

Job No. 193019-A-001  
Date 8/93  
Drawn by RCH  
Checked by ROB



SECTION 101.000  
 JUNE 1962  
 1.0' 1/4" = 1'-0"  
 2.0' 1/2" = 1'-0"  
 3.0' 3/4" = 1'-0"  
 4.0' 1" = 1'-0"  
 5.0' 1 1/4" = 1'-0"  
 6.0' 1 1/2" = 1'-0"  
 7.0' 1 3/4" = 1'-0"  
 8.0' 2" = 1'-0"  
 9.0' 2 1/4" = 1'-0"  
 10.0' 2 1/2" = 1'-0"  
 11.0' 2 3/4" = 1'-0"  
 12.0' 3" = 1'-0"  
 13.0' 3 1/4" = 1'-0"  
 14.0' 3 1/2" = 1'-0"  
 15.0' 3 3/4" = 1'-0"  
 16.0' 4" = 1'-0"  
 17.0' 4 1/4" = 1'-0"  
 18.0' 4 1/2" = 1'-0"  
 19.0' 4 3/4" = 1'-0"  
 20.0' 5" = 1'-0"  
 21.0' 5 1/4" = 1'-0"  
 22.0' 5 1/2" = 1'-0"  
 23.0' 5 3/4" = 1'-0"  
 24.0' 6" = 1'-0"  
 25.0' 6 1/4" = 1'-0"  
 26.0' 6 1/2" = 1'-0"  
 27.0' 6 3/4" = 1'-0"  
 28.0' 7" = 1'-0"  
 29.0' 7 1/4" = 1'-0"  
 30.0' 7 1/2" = 1'-0"  
 31.0' 7 3/4" = 1'-0"  
 32.0' 8" = 1'-0"  
 33.0' 8 1/4" = 1'-0"  
 34.0' 8 1/2" = 1'-0"  
 35.0' 8 3/4" = 1'-0"  
 36.0' 9" = 1'-0"  
 37.0' 9 1/4" = 1'-0"  
 38.0' 9 1/2" = 1'-0"  
 39.0' 9 3/4" = 1'-0"  
 40.0' 10" = 1'-0"  
 41.0' 10 1/4" = 1'-0"  
 42.0' 10 1/2" = 1'-0"  
 43.0' 10 3/4" = 1'-0"  
 44.0' 11" = 1'-0"  
 45.0' 11 1/4" = 1'-0"  
 46.0' 11 1/2" = 1'-0"  
 47.0' 11 3/4" = 1'-0"  
 48.0' 12" = 1'-0"  
 49.0' 12 1/4" = 1'-0"  
 50.0' 12 1/2" = 1'-0"  
 51.0' 12 3/4" = 1'-0"  
 52.0' 13" = 1'-0"  
 53.0' 13 1/4" = 1'-0"  
 54.0' 13 1/2" = 1'-0"  
 55.0' 13 3/4" = 1'-0"  
 56.0' 14" = 1'-0"  
 57.0' 14 1/4" = 1'-0"  
 58.0' 14 1/2" = 1'-0"  
 59.0' 14 3/4" = 1'-0"  
 60.0' 15" = 1'-0"  
 61.0' 15 1/4" = 1'-0"  
 62.0' 15 1/2" = 1'-0"  
 63.0' 15 3/4" = 1'-0"  
 64.0' 16" = 1'-0"  
 65.0' 16 1/4" = 1'-0"  
 66.0' 16 1/2" = 1'-0"  
 67.0' 16 3/4" = 1'-0"  
 68.0' 17" = 1'-0"  
 69.0' 17 1/4" = 1'-0"  
 70.0' 17 1/2" = 1'-0"  
 71.0' 17 3/4" = 1'-0"  
 72.0' 18" = 1'-0"  
 73.0' 18 1/4" = 1'-0"  
 74.0' 18 1/2" = 1'-0"  
 75.0' 18 3/4" = 1'-0"  
 76.0' 19" = 1'-0"  
 77.0' 19 1/4" = 1'-0"  
 78.0' 19 1/2" = 1'-0"  
 79.0' 19 3/4" = 1'-0"  
 80.0' 20" = 1'-0"  
 81.0' 20 1/4" = 1'-0"  
 82.0' 20 1/2" = 1'-0"  
 83.0' 20 3/4" = 1'-0"  
 84.0' 21" = 1'-0"  
 85.0' 21 1/4" = 1'-0"  
 86.0' 21 1/2" = 1'-0"  
 87.0' 21 3/4" = 1'-0"  
 88.0' 22" = 1'-0"  
 89.0' 22 1/4" = 1'-0"  
 90.0' 22 1/2" = 1'-0"  
 91.0' 22 3/4" = 1'-0"  
 92.0' 23" = 1'-0"  
 93.0' 23 1/4" = 1'-0"  
 94.0' 23 1/2" = 1'-0"  
 95.0' 23 3/4" = 1'-0"  
 96.0' 24" = 1'-0"  
 97.0' 24 1/4" = 1'-0"  
 98.0' 24 1/2" = 1'-0"  
 99.0' 24 3/4" = 1'-0"  
 100.0' 25" = 1'-0"  
 101.0' 25 1/4" = 1'-0"  
 102.0' 25 1/2" = 1'-0"  
 103.0' 25 3/4" = 1'-0"  
 104.0' 26" = 1'-0"  
 105.0' 26 1/4" = 1'-0"  
 106.0' 26 1/2" = 1'-0"  
 107.0' 26 3/4" = 1'-0"  
 108.0' 27" = 1'-0"  
 109.0' 27 1/4" = 1'-0"  
 110.0' 27 1/2" = 1'-0"  
 111.0' 27 3/4" = 1'-0"  
 112.0' 28" = 1'-0"  
 113.0' 28 1/4" = 1'-0"  
 114.0' 28 1/2" = 1'-0"  
 115.0' 28 3/4" = 1'-0"  
 116.0' 29" = 1'-0"  
 117.0' 29 1/4" = 1'-0"  
 118.0' 29 1/2" = 1'-0"  
 119.0' 29 3/4" = 1'-0"  
 120.0' 30" = 1'-0"  
 121.0' 30 1/4" = 1'-0"  
 122.0' 30 1/2" = 1'-0"  
 123.0' 30 3/4" = 1'-0"  
 124.0' 31" = 1'-0"  
 125.0' 31 1/4" = 1'-0"  
 126.0' 31 1/2" = 1'-0"  
 127.0' 31 3/4" = 1'-0"  
 128.0' 32" = 1'-0"  
 129.0' 32 1/4" = 1'-0"  
 130.0' 32 1/2" = 1'-0"  
 131.0' 32 3/4" = 1'-0"  
 132.0' 33" = 1'-0"  
 133.0' 33 1/4" = 1'-0"  
 134.0' 33 1/2" = 1'-0"  
 135.0' 33 3/4" = 1'-0"  
 136.0' 34" = 1'-0"  
 137.0' 34 1/4" = 1'-0"  
 138.0' 34 1/2" = 1'-0"  
 139.0' 34 3/4" = 1'-0"  
 140.0' 35" = 1'-0"  
 141.0' 35 1/4" = 1'-0"  
 142.0' 35 1/2" = 1'-0"  
 143.0' 35 3/4" = 1'-0"  
 144.0' 36" = 1'-0"  
 145.0' 36 1/4" = 1'-0"  
 146.0' 36 1/2" = 1'-0"  
 147.0' 36 3/4" = 1'-0"  
 148.0' 37" = 1'-0"  
 149.0' 37 1/4" = 1'-0"  
 150.0' 37 1/2" = 1'-0"  
 151.0' 37 3/4" = 1'-0"  
 152.0' 38" = 1'-0"  
 153.0' 38 1/4" = 1'-0"  
 154.0' 38 1/2" = 1'-0"  
 155.0' 38 3/4" = 1'-0"  
 156.0' 39" = 1'-0"  
 157.0' 39 1/4" = 1'-0"  
 158.0' 39 1/2" = 1'-0"  
 159.0' 39 3/4" = 1'-0"  
 160.0' 40" = 1'-0"  
 161.0' 40 1/4" = 1'-0"  
 162.0' 40 1/2" = 1'-0"  
 163.0' 40 3/4" = 1'-0"  
 164.0' 41" = 1'-0"  
 165.0' 41 1/4" = 1'-0"  
 166.0' 41 1/2" = 1'-0"  
 167.0' 41 3/4" = 1'-0"  
 168.0' 42" = 1'-0"  
 169.0' 42 1/4" = 1'-0"  
 170.0' 42 1/2" = 1'-0"  
 171.0' 42 3/4" = 1'-0"  
 172.0' 43" = 1'-0"  
 173.0' 43 1/4" = 1'-0"  
 174.0' 43 1/2" = 1'-0"  
 175.0' 43 3/4" = 1'-0"  
 176.0' 44" = 1'-0"  
 177.0' 44 1/4" = 1'-0"  
 178.0' 44 1/2" = 1'-0"  
 179.0' 44 3/4" = 1'-0"  
 180.0' 45" = 1'-0"  
 181.0' 45 1/4" = 1'-0"  
 182.0' 45 1/2" = 1'-0"  
 183.0' 45 3/4" = 1'-0"  
 184.0' 46" = 1'-0"  
 185.0' 46 1/4" = 1'-0"  
 186.0' 46 1/2" = 1'-0"  
 187.0' 46 3/4" = 1'-0"  
 188.0' 47" = 1'-0"  
 189.0' 47 1/4" = 1'-0"  
 190.0' 47 1/2" = 1'-0"  
 191.0' 47 3/4" = 1'-0"  
 192.0' 48" = 1'-0"  
 193.0' 48 1/4" = 1'-0"  
 194.0' 48 1/2" = 1'-0"  
 195.0' 48 3/4" = 1'-0"  
 196.0' 49" = 1'-0"  
 197.0' 49 1/4" = 1'-0"  
 198.0' 49 1/2" = 1'-0"  
 199.0' 49 3/4" = 1'-0"  
 200.0' 50" = 1'-0"  
 201.0' 50 1/4" = 1'-0"  
 202.0' 50 1/2" = 1'-0"  
 203.0' 50 3/4" = 1'-0"  
 204.0' 51" = 1'-0"  
 205.0' 51 1/4" = 1'-0"  
 206.0' 51 1/2" = 1'-0"  
 207.0' 51 3/4" = 1'-0"  
 208.0' 52" = 1'-0"  
 209.0' 52 1/4" = 1'-0"  
 210.0' 52 1/2" = 1'-0"  
 211.0' 52 3/4" = 1'-0"  
 212.0' 53" = 1'-0"  
 213.0' 53 1/4" = 1'-0"  
 214.0' 53 1/2" = 1'-0"  
 215.0' 53 3/4" = 1'-0"  
 216.0' 54" = 1'-0"  
 217.0' 54 1/4" = 1'-0"  
 218.0' 54 1/2" = 1'-0"  
 219.0' 54 3/4" = 1'-0"  
 220.0' 55" = 1'-0"  
 221.0' 55 1/4" = 1'-0"  
 222.0' 55 1/2" = 1'-0"  
 223.0' 55 3/4" = 1'-0"  
 224.0' 56" = 1'-0"  
 225.0' 56 1/4" = 1'-0"  
 226.0' 56 1/2" = 1'-0"  
 227.0' 56 3/4" = 1'-0"  
 228.0' 57" = 1'-0"  
 229.0' 57 1/4" = 1'-0"  
 230.0' 57 1/2" = 1'-0"  
 231.0' 57 3/4" = 1'-0"  
 232.0' 58" = 1'-0"  
 233.0' 58 1/4" = 1'-0"  
 234.0' 58 1/2" = 1'-0"  
 235.0' 58 3/4" = 1'-0"  
 236.0' 59" = 1'-0"  
 237.0' 59 1/4" = 1'-0"  
 238.0' 59 1/2" = 1'-0"  
 239.0' 59 3/4" = 1'-0"  
 240.0' 60" = 1'-0"  
 241.0' 60 1/4" = 1'-0"  
 242.0' 60 1/2" = 1'-0"  
 243.0' 60 3/4" = 1'-0"  
 244.0' 61" = 1'-0"  
 245.0' 61 1/4" = 1'-0"  
 246.0' 61 1/2" = 1'-0"  
 247.0' 61 3/4" = 1'-0"  
 248.0' 62" = 1'-0"  
 249.0' 62 1/4" = 1'-0"  
 250.0' 62 1/2" = 1'-0"  
 251.0' 62 3/4" = 1'-0"  
 252.0' 63" = 1'-0"  
 253.0' 63 1/4" = 1'-0"  
 254.0' 63 1/2" = 1'-0"  
 255.0' 63 3/4" = 1'-0"  
 256.0' 64" = 1'-0"  
 257.0' 64 1/4" = 1'-0"  
 258.0' 64 1/2" = 1'-0"  
 259.0' 64 3/4" = 1'-0"  
 260.0' 65" = 1'-0"  
 261.0' 65 1/4" = 1'-0"  
 262.0' 65 1/2" = 1'-0"  
 263.0' 65 3/4" = 1'-0"  
 264.0' 66" = 1'-0"  
 265.0' 66 1/4" = 1'-0"  
 266.0' 66 1/2" = 1'-0"  
 267.0' 66 3/4" = 1'-0"  
 268.0' 67" = 1'-0"  
 269.0' 67 1/4" = 1'-0"  
 270.0' 67 1/2" = 1'-0"  
 271.0' 67 3/4" = 1'-0"  
 272.0' 68" = 1'-0"  
 273.0' 68 1/4" = 1'-0"  
 274.0' 68 1/2" = 1'-0"  
 275.0' 68 3/4" = 1'-0"  
 276.0' 69" = 1'-0"  
 277.0' 69 1/4" = 1'-0"  
 278.0' 69 1/2" = 1'-0"  
 279.0' 69 3/4" = 1'-0"  
 280.0' 70" = 1'-0"  
 281.0' 70 1/4" = 1'-0"  
 282.0' 70 1/2" = 1'-0"  
 283.0' 70 3/4" = 1'-0"  
 284.0' 71" = 1'-0"  
 285.0' 71 1/4" = 1'-0"  
 286.0' 71 1/2" = 1'-0"  
 287.0' 71 3/4" = 1'-0"  
 288.0' 72" = 1'-0"  
 289.0' 72 1/4" = 1'-0"  
 290.0' 72 1/2" = 1'-0"  
 291.0' 72 3/4" = 1'-0"  
 292.0' 73" = 1'-0"  
 293.0' 73 1/4" = 1'-0"  
 294.0' 73 1/2" = 1'-0"  
 295.0' 73 3/4" = 1'-0"  
 296.0' 74" = 1'-0"  
 297.0' 74 1/4" = 1'-0"  
 298.0' 74 1/2" = 1'-0"  
 299.0' 74 3/4" = 1'-0"  
 300.0' 75" = 1'-0"  
 301.0' 75 1/4" = 1'-0"  
 302.0' 75 1/2" = 1'-0"  
 303.0' 75 3/4" = 1'-0"  
 304.0' 76" = 1'-0"  
 305.0' 76 1/4" = 1'-0"  
 306.0' 76 1/2" = 1'-0"  
 307.0' 76 3/4" = 1'-0"  
 308.0' 77" = 1'-0"  
 309.0' 77 1/4" = 1'-0"  
 310.0' 77 1/2" = 1'-0"  
 311.0' 77 3/4" = 1'-0"  
 312.0' 78" = 1'-0"  
 313.0' 78 1/4" = 1'-0"  
 314.0' 78 1/2" = 1'-0"  
 315.0' 78 3/4" = 1'-0"  
 316.0' 79" = 1'-0"  
 317.0' 79 1/4" = 1'-0"  
 318.0' 79 1/2" = 1'-0"  
 319.0' 79 3/4" = 1'-0"  
 320.0' 80" = 1'-0"  
 321.0' 80 1/4" = 1'-0"  
 322.0' 80 1/2" = 1'-0"  
 323.0' 80 3/4" = 1'-0"  
 324.0' 81" = 1'-0"  
 325.0' 81 1/4" = 1'-0"  
 326.0' 81 1/2" = 1'-0"  
 327.0' 81 3/4" = 1'-0"  
 328.0' 82" = 1'-0"  
 329.0' 82 1/4" = 1'-0"  
 330.0' 82 1/2" = 1'-0"  
 331.0' 82 3/4" = 1'-0"  
 332.0' 83" = 1'-0"  
 333.0' 83 1/4" = 1'-0"  
 334.0' 83 1/2" = 1'-0"  
 335.0' 83 3/4" = 1'-0"  
 336.0' 84" = 1'-0"  
 337.0' 84 1/4" = 1'-0"  
 338.0' 84 1/2" = 1'-0"  
 339.0' 84 3/4" = 1'-0"  
 340.0' 85" = 1'-0"  
 341.0' 85 1/4" = 1'-0"  
 342.0' 85 1/2" = 1'-0"  
 343.0' 85 3/4" = 1'-0"  
 344.0' 86" = 1'-0"  
 345.0' 86 1/4" = 1'-0"  
 346.0' 86 1/2" = 1'-0"  
 347.0' 86 3/4" = 1'-0"  
 348.0' 87" = 1'-0"  
 349.0' 87 1/4" = 1'-0"  
 350.0' 87 1/2" = 1'-0"  
 351.0' 87 3/4" = 1'-0"  
 352.0' 88" = 1'-0"  
 353.0' 88 1/4" = 1'-0"  
 354.0' 88 1/2" = 1'-0"  
 355.0' 88 3/4" = 1'-0"  
 356.0' 89" = 1'-0"  
 357.0' 89 1/4" = 1'-0"  
 358.0' 89 1/2" = 1'-0"  
 359.0' 89 3/4" = 1'-0"  
 360.0' 90" = 1'-0"  
 361.0' 90 1/4" = 1'-0"  
 362.0' 90 1/2" = 1'-0"  
 363.0' 90 3/4" = 1'-0"  
 364.0' 91" = 1'-0"  
 365.0' 91 1/4" = 1'-0"  
 366.0' 91 1/2" = 1'-0"  
 367.0' 91 3/4" = 1'-0"  
 368.0' 92" = 1'-0"  
 369.0' 92 1/4" = 1'-0"  
 370.0' 92 1/2" = 1'-0"  
 371.0' 92 3/4" = 1'-0"  
 372.0' 93" = 1'-0"  
 373.0' 93 1/4" = 1'-0"  
 374.0' 93 1/2" = 1'-0"  
 375.0' 93 3/4" = 1'-0"  
 376.0' 94" = 1'-0"  
 377.0' 94 1/4" = 1'-0"  
 378.0' 94 1/2" = 1'-0"  
 379.0' 94 3/4" = 1'-0"  
 380.0' 95" = 1'-0"  
 381.0' 95 1/4" = 1'-0"  
 382.0' 95 1/2" = 1'-0"  
 383.0' 95 3/4" = 1'-0"  
 384.0' 96" = 1'-0"  
 385.0' 96 1/4" = 1'-0"  
 386.0' 96 1/2" = 1'-0"  
 387.0' 96 3/4" = 1'-0"  
 388.0' 97" = 1'-0"  
 389.0' 97 1/4" = 1'-0"  
 390.0' 97 1/2" = 1'-0"  
 391.0' 97 3/4" = 1'-0"  
 392.0' 98" = 1'-0"  
 393.0' 98 1/4" = 1'-0"  
 394.0' 98 1/2" = 1'-0"  
 395.0' 98 3/4" = 1'-0"  
 396.0' 99" = 1'-0"  
 397.0' 99 1/4" = 1'-0"  
 398.0' 99 1/2" = 1'-0"  
 399.0' 99 3/4" = 1'-0"  
 400.0' 100" = 1'-0"  
 401.0' 100 1/4" = 1'-0"  
 402.0' 100 1/2" = 1'-0"  
 403.0' 100 3/4" = 1'-0"  
 404.0' 101" = 1'-0"  
 405.0' 101 1/4" = 1'-0"  
 406.0' 101 1/2" = 1'-0"  
 407.0' 101 3/4" = 1'-0"  
 408.0' 102" = 1'-0"  
 409.0' 102 1/4" = 1'-0"  
 410.0' 102 1/2" = 1'-0"  
 411.0' 102 3/4" = 1'-0"  
 412.0' 103" = 1'-0"  
 413.0' 103 1/4" = 1'-0"  
 414.0' 103 1/2" = 1'-0"  
 415.0' 103 3/4" = 1'-0"  
 416.0' 104" = 1'-0"  
 417.0' 104 1/4" = 1'-0"  
 418.0' 104 1/2" = 1'-0"  
 419.0' 104 3/4" = 1'-0"  
 420.0' 105" = 1'-0"  
 421.0' 105 1/4" = 1'-0"  
 422.0' 105 1/2" = 1'-0"  
 423.0' 105 3/4" = 1'-0"  
 424.0' 106" = 1'-0"  
 425.0' 106 1/4" = 1'-0"  
 426.0' 106 1/2" = 1'-0"  
 427.0' 106 3/4" = 1'-0"  
 428.0' 107" = 1'-0"  
 429.0' 107 1/4" = 1'-0"  
 430.0' 107 1/2" = 1'-0"  
 431.0' 107 3/4" = 1'-0"  
 432.0' 108" = 1'-0"  
 433.0' 108 1/4" = 1'-0"  
 434.0' 108 1/2" = 1'-0"  
 435.0' 108 3/4" = 1'-0"  
 436.0' 109" = 1'-0"  
 437.0' 109 1/4" = 1'-0"  
 438.0' 109 1/2" = 1'-0"  
 439.0' 109 3/4" = 1'-0"  
 440.0' 110" = 1'-0"  
 441.0' 110 1/4" = 1'-0"  
 442.0' 110 1/2" = 1'-0"  
 443.0' 110 3/4" = 1'-0"  
 444.0' 111" = 1'-0"  
 445.0' 111 1/4" = 1'-0"  
 446.0' 111 1/2" = 1'-0"  
 447.0' 111 3/4" = 1'-0"  
 448.0' 112" = 1'-0"  
 449.0' 112 1/4" = 1'-0"  
 450.0' 112 1/2" = 1'-0"  
 451.0' 112 3/4" = 1'-0"  
 452.0' 113" = 1'-0"  
 453.0' 113 1/4" = 1'-0"  
 454.0' 113 1/2" = 1'-0"  
 455.0' 113 3/4" = 1'-0"  
 456.0' 114" = 1'-0"  
 457.0' 114 1/4" = 1'-0"  
 458.0' 114 1/2" = 1'-0"  
 459.0' 114 3/4" = 1'-0"  
 460.0' 115" = 1'-0"  
 461.0' 115 1/4" = 1'-0"  
 462.0' 115 1/2" = 1'-0"  
 463.0' 115 3/4" = 1'-0"  
 464.0' 116" = 1'-0"  
 465.0' 116 1/4" = 1'-0"  
 466.0' 116 1/2" = 1'-0"  
 467.0' 116 3/4" = 1'-0"  
 468.0' 117" = 1'-0"  
 469.0' 117 1/4" = 1'-0"  
 470.0' 117 1/2" = 1'-0"  
 471.0' 117 3/4" = 1'-0"  
 472.0' 118" = 1'-0"  
 473.0' 118 1/4" = 1'-0"  
 474.0' 118 1/2" = 1'-0"  
 475.0' 118 3/4" = 1'-0"  
 476.0' 119" = 1'-0"  
 477.0' 119 1/4" = 1'-0"  
 478.0' 119 1/2" = 1'-0"  
 479.0' 119 3/4" = 1'-0"  
 480.0' 120" = 1'-0"  
 481.0' 120 1/4" = 1'-0"  
 482.0' 120 1/2" = 1'-0"  
 483.0' 120 3/4" = 1'-0"  
 484.0' 121" = 1'-0"  
 485.0' 121 1/4" = 1'-0"  
 486.0' 121 1/2" = 1'-0"  
 487.0' 121 3/4" = 1'-0"  
 488.0' 122" = 1'-0"  
 489.0' 122 1/4" = 1'-0"  
 490.0' 122 1/2" = 1'-0"  
 491.0' 122 3/4" = 1'-0"  
 492.0' 123" = 1'-0"  
 493.0' 123 1/4" = 1'-0"  
 494.0' 123 1/2" = 1'-0"  
 495.0' 123 3/4" = 1'-0"  
 496.0' 124" = 1'-0"  
 497.0' 124 1/4" = 1'-0"  
 498.0' 124 1/2" = 1'-0"  
 499.0' 124 3/4" = 1'-0"  
 500.0' 125" = 1'-0"  
 501.0' 125 1/4" = 1'-0"  
 502.0' 125 1/2" = 1'-0"  
 503.0' 125 3/4" = 1'-0"  
 504.0' 126" = 1'-0"  
 505.0' 126 1/4" = 1'-0"  
 506.0' 126 1/2" = 1'-0"  
 507.0' 126 3/4" = 1'-0"  
 508.0' 127" = 1'-0"  
 509.0' 127 1/4" = 1'-0"  
 510.0' 127 1/2" = 1'-0"  
 511.0' 127 3/4" = 1'-0"  
 512.0' 128" = 1'-0"  
 513.0' 128 1/4" = 1'-0"  
 514.0' 128 1/2" = 1'-0"  
 515.0' 128 3/4" = 1'-0"