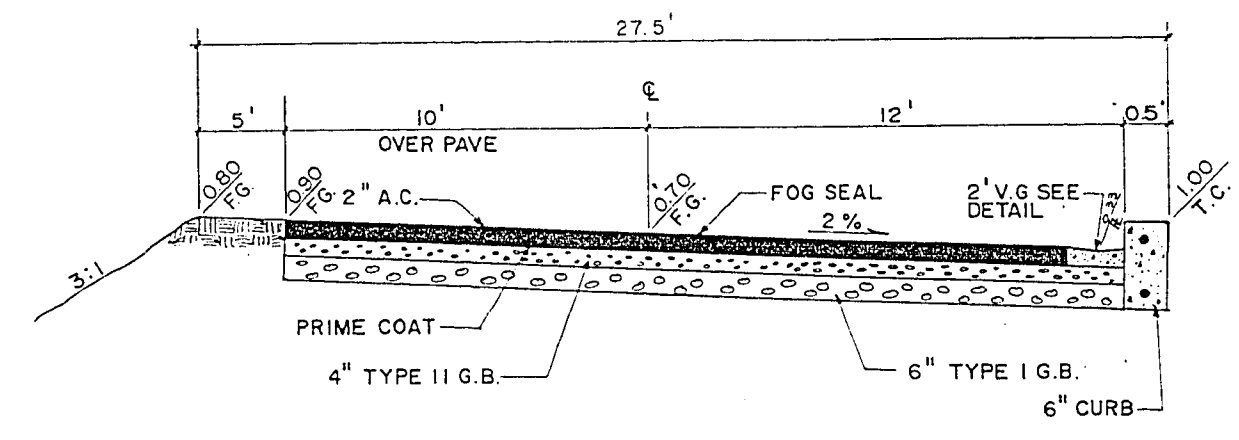
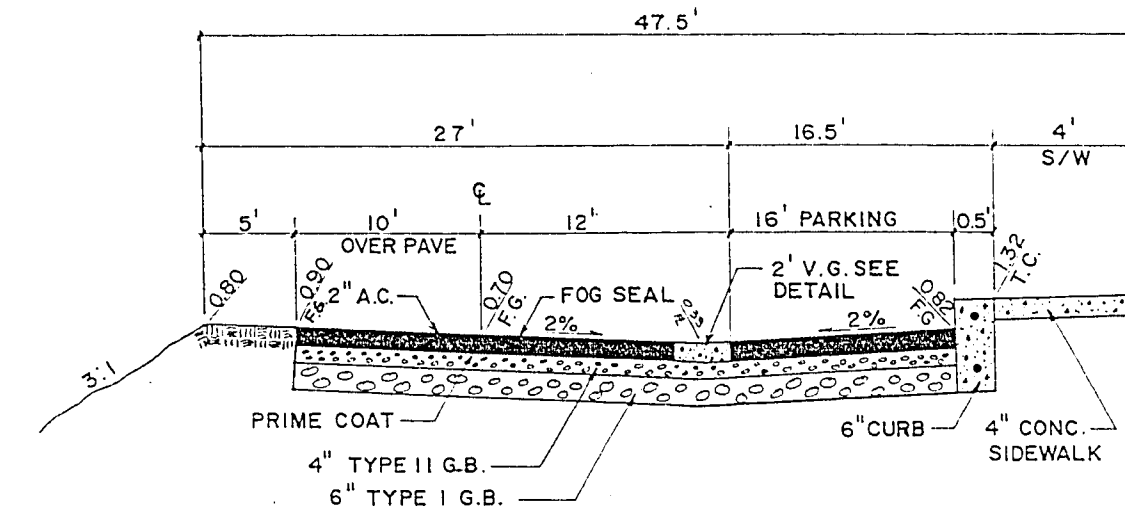


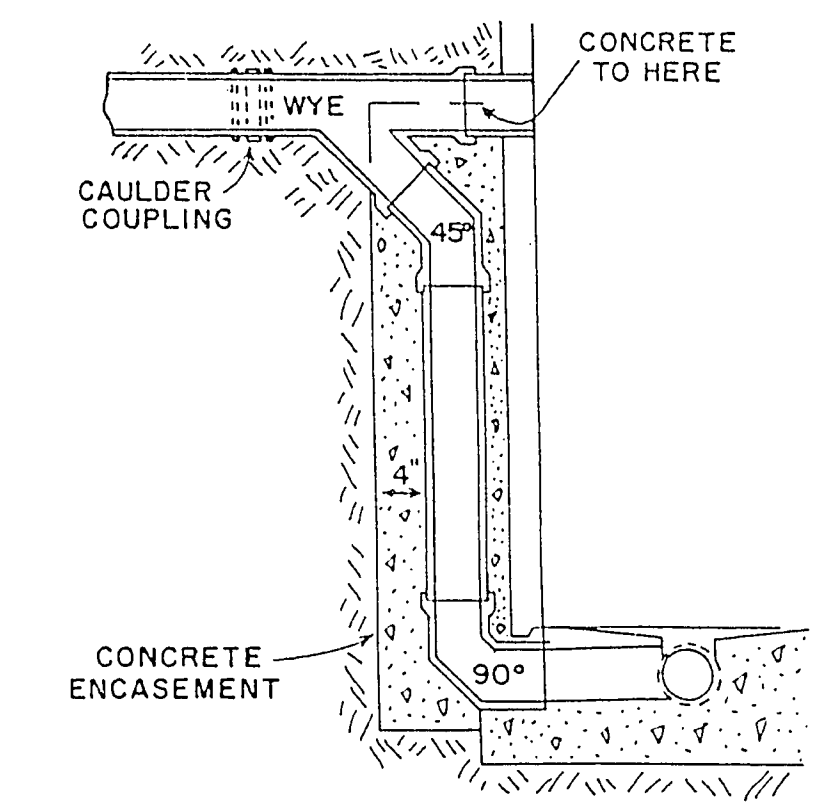
TYPICAL STREET SECTION
(NORTH ENTRY STREET)



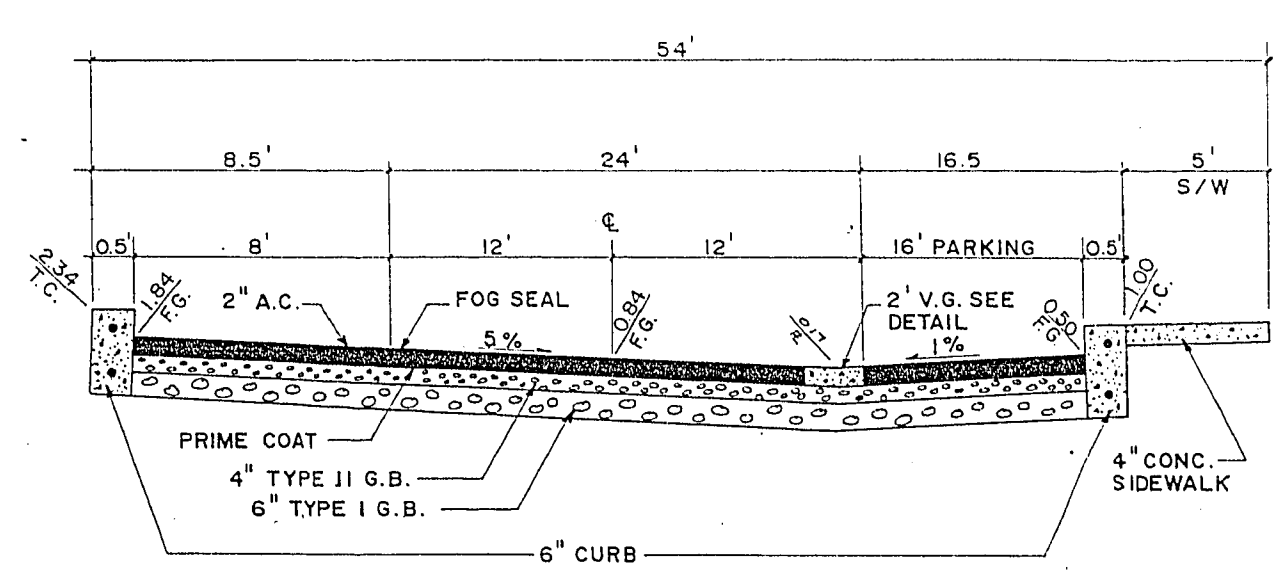
TYPICAL STREET SECTION
(SOUTH ENTRY STREET)



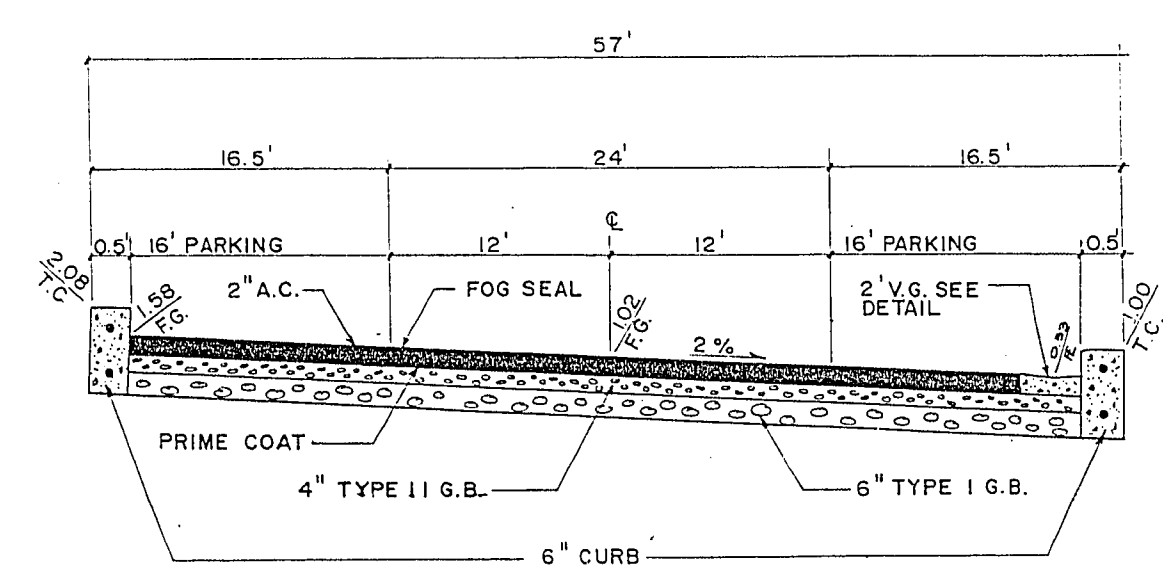
TYPICAL STREET SECTION
(SOUTH ENTRY STREET W/PARKING)



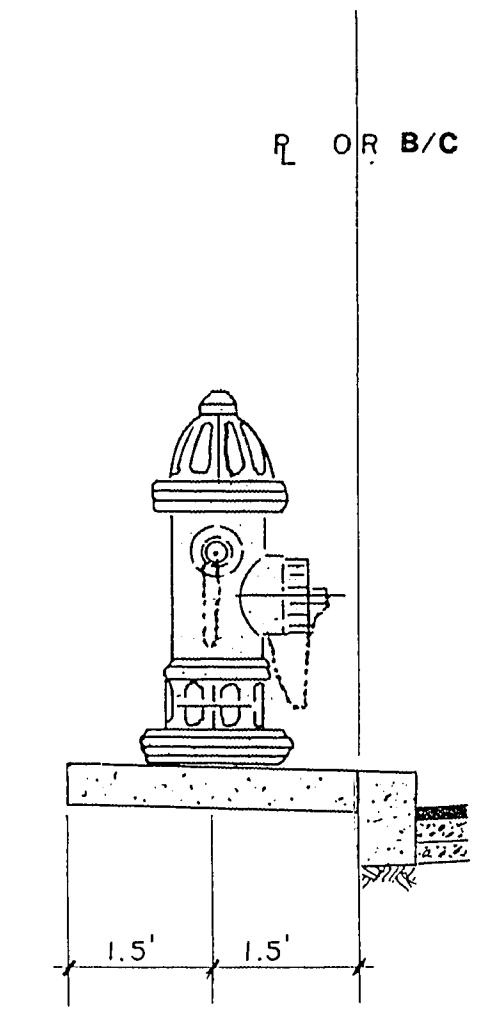
TYPICAL DROP MANHOLE DETAIL



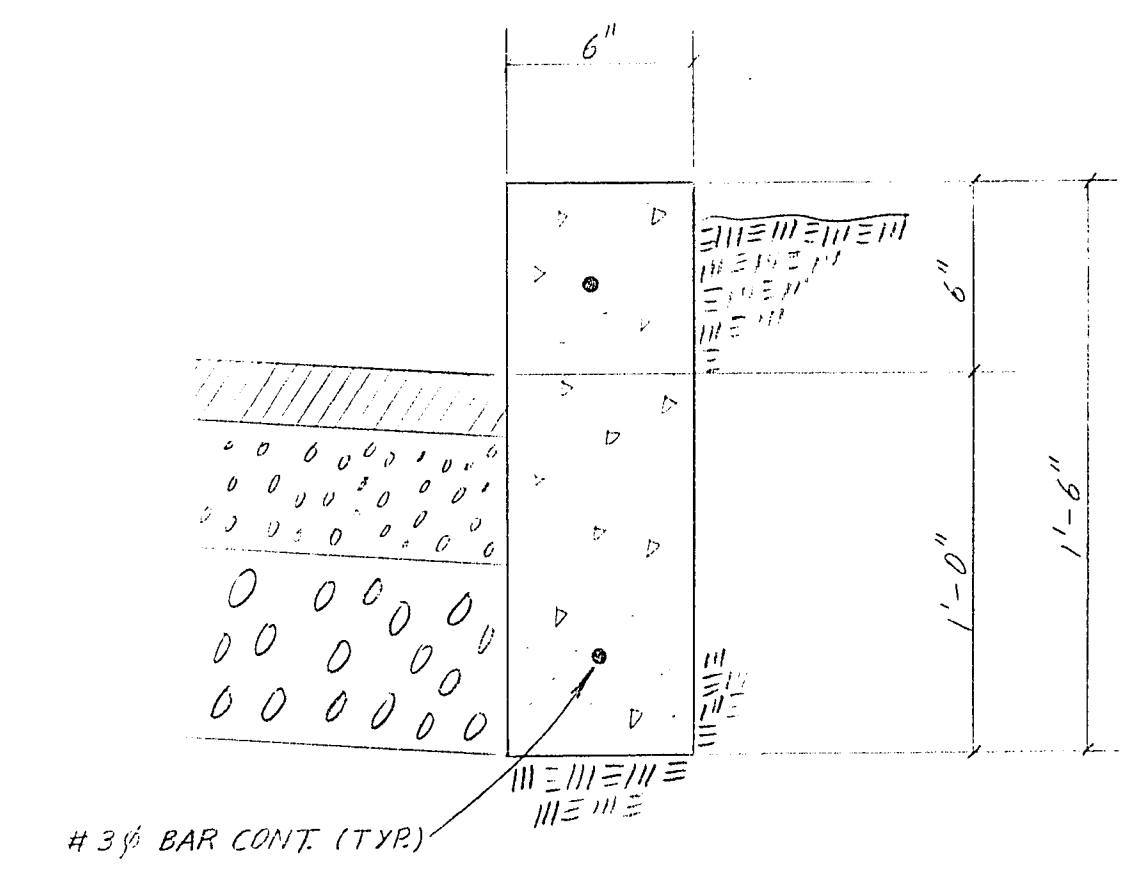
TYPICAL STREET SECTION
(WEST PARKING AREA)



TYPICAL STREET SECTION
(EAST PARKING AREA)



TYPICAL FIRE HYDRANT DETAIL



CONTINUOUS CONCRETE CURB W/TOOLED JOINTS AT 10'-0" O.C.
AND EXPANSION JOINTS @ 30'-0" O.C.

TYPICAL 6" CURB DETAIL

REVISION	
BY	
DATE	
REV	

ENGINEERS & SURVEYORS INC.
 REGISTERED PROFESSIONAL ENGINEERS
 STATE OF NEW YORK
 NO. 17172-2003-0415
 PAUL F. VALENTI
 CIVIL ENGINEER
 SUBMITTED BY
 4/1/88

DETAIL SHEET
 THE LAKES TOWN CENTER II
 CHILD CARE FACILITY
 PROJECT

WO NO.	5085
BY	G. SPENCER
DATE	1/28/88
SCALE	NONE

SHEET
 4
 OF 4 SHEETS

107-V1541
5336