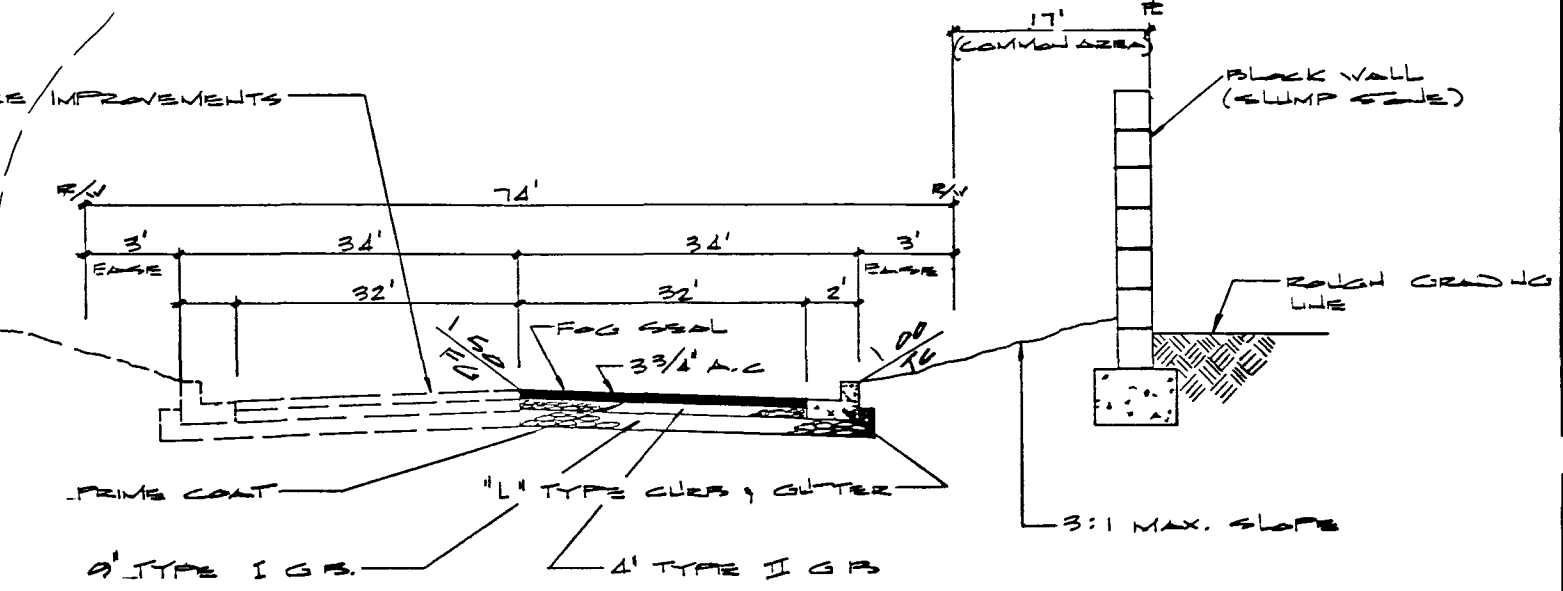
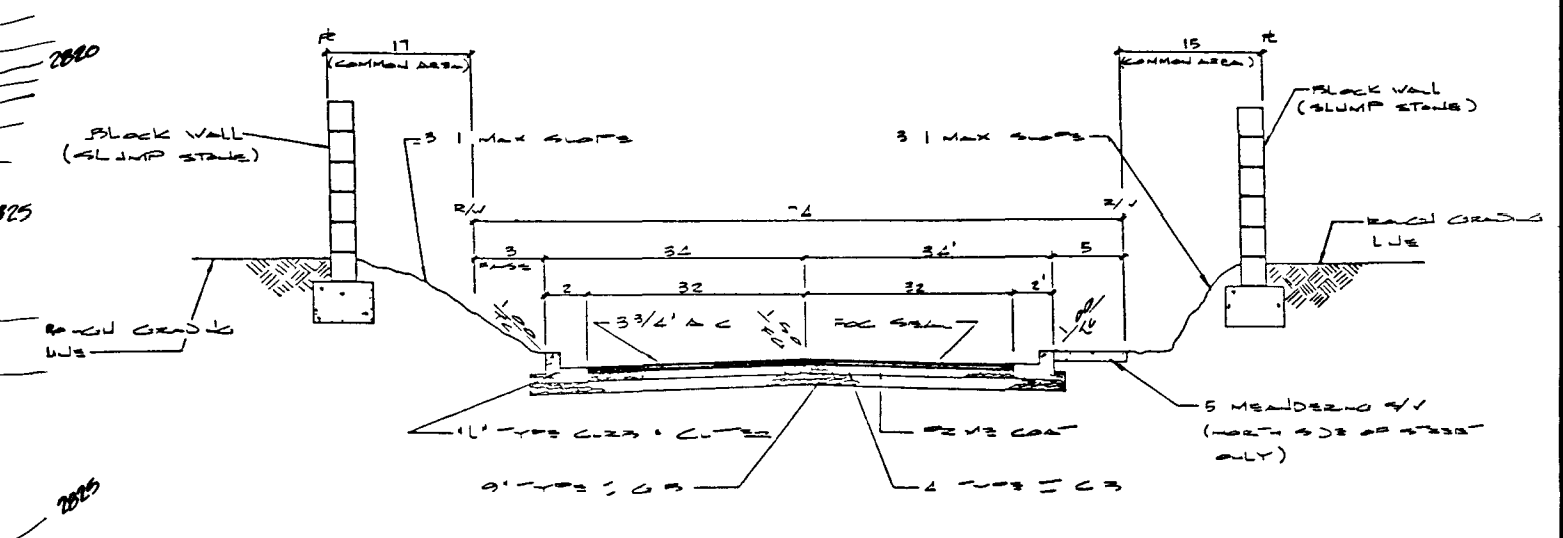


SCALE: 1"=40'



MATCH LINE - SEE SHT. 14 & 15

MATCH LINE - SEE SHT 12 OF 15

CLV CHIEF LAND DEVELOPMENT DATE 7-1-87

REV	DATE	BY	REVISION
1	2-1-87	P.O.	REVISED LOT 13 BLK 3
2	2-10-87	T.B.	REVISED LOT 13 BLK 3
3	2-17-87	T.B.	ADD UNIT BUREAU'S ADD. STREET NAME ADD. NOTES
4	2-24-87	T.B.	ADD UNIT BUREAU'S ADD. STREET NAME ADD. NOTES

ESI ENGINEERS & SURVEYORS INC.
 700 P. COMPLETION RD. LAS VEGAS, NEVADA 89117 702 352 6445
 SUBMITTED BY: *Paul J. Williams* 1/13/87

TITLE: ROUGH GRADING PLAN
 PROJECT: THE LAKES ESTATES

WO NO: 4085
 BY: P.V.
 DATE: 1-87
 SCALE: 1"=40'

SHEET: 13
 OF 15 SHEETS

