

UTILITY NOTE

1. NOTIFY TETRA TECH, INC. IMMEDIATELY OF ANY DISCREPANCIES IN THE PLAN OR CONDITIONS IN THE FIELD.
2. PRIOR TO CONSTRUCTION THE CONTRACTOR SHALL LOCATE AND VERIFY SIZE, MATERIAL DEPTH, CONDITION, PRESSURE AND LOCATION OF ALL EXISTING UTILITY LINES WITHIN THE CONSTRUCTION AREA. TETRA TECH, INC. SHALL BE CONTACTED ONCE THE UTILITY IS LOCATED.
3. PLANS MAY NOT INDICATE ALL EXISTING UTILITY LINES. CONTRACTOR IS TO EXERCISE EXTREME CAUTION DURING EXCAVATION IN ORDER TO AVOID DAMAGING ANY EXISTING UTILITY LINES. IF THE UTILITY LINES ARE DAMAGED BY THE CONTRACTOR, SUCH DAMAGE SHALL BE REPAIRED TO THE SATISFACTION OF THE OWNER AT THE CONTRACTOR'S EXPENSE.
4. CONTRACTOR TO SAWCUT AND REMOVE EXISTING ASPHALT AND CONCRETE AS NECESSARY FOR UTILITY TRENCHES. BACKFILL AND PATCH ALL TRENCHES ACCORDING TO CITY OF LAS VEGAS STANDARDS.
5. ALL WATER SERVICE LINES AND METERS SHALL BE INSTALLED PER LAS VEGAS VALLEY WATER DISTRICT STANDARDS AND SPECIFICATIONS.
6. CONTRACTOR TO FIELD VERIFY LOCATION AND INVERT OF MANHOLE PRIOR TO CONSTRUCTION. TETRA TECH, INC. SHALL BE CONTACTED ONCE THIS INFORMATION HAS BEEN OBTAINED.

Call before you Dig
1-800-227-2600

Call before you Overhead
1-702-593-8111

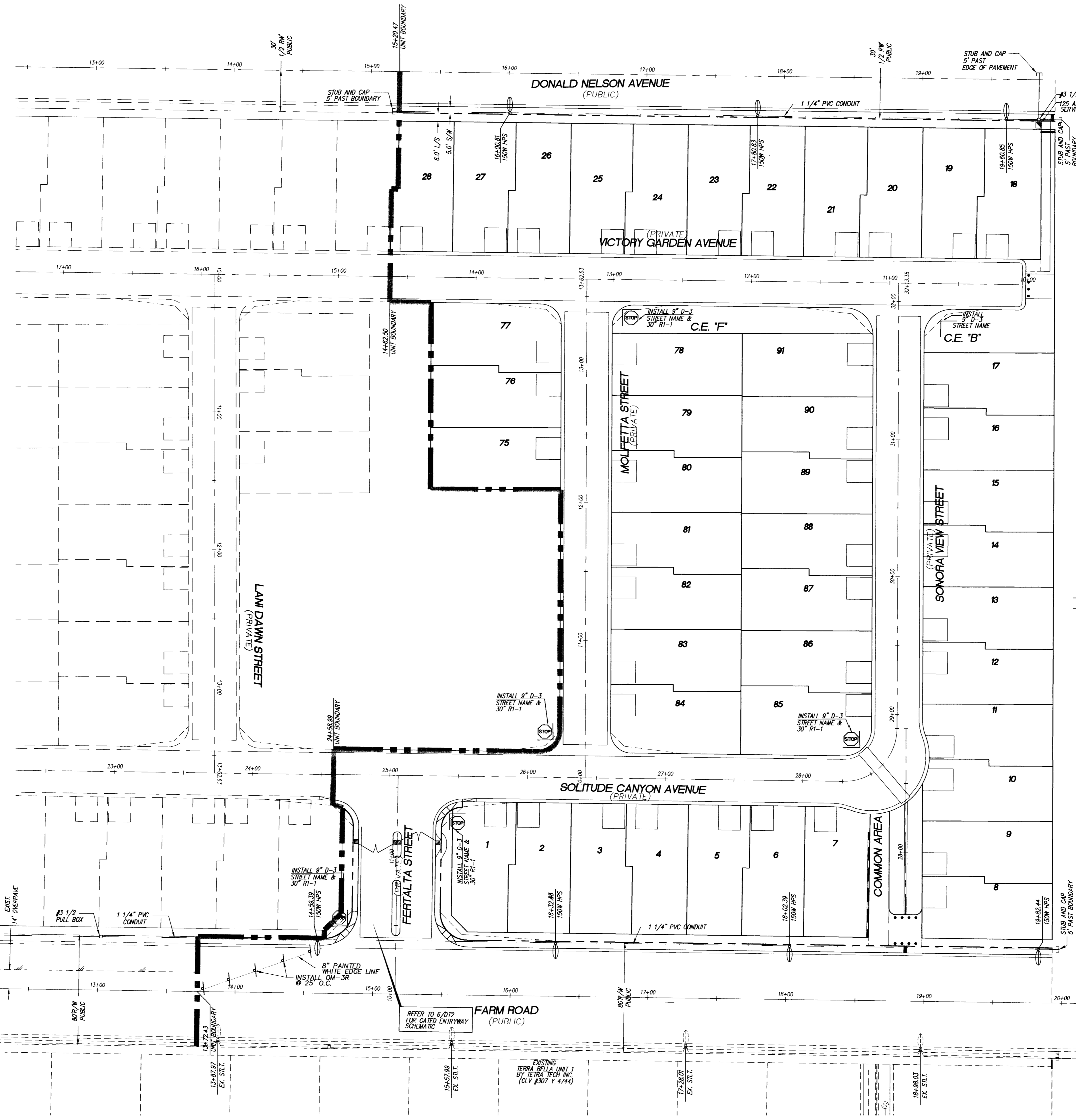
Call before you UnderGround
1-702-455-7511

DISCLAIMER NOTE:
UTILITY LOCATION SHOWN HEREON ARE APPROXIMATE ONLY. IT SHALL BE THE CONTRACTOR'S RESPONSIBILITY TO DETERMINE THE EXACT HORIZONTAL AND VERTICAL LOCATION OF ALL EXISTING UNDERGROUND AND OVER-HEAD UTILITIES PRIOR TO COMMENCING CONSTRUCTION. NO REPRESENTATION IS MADE THAT ALL EXISTING UTILITIES ARE SHOWN HEREON. THE ENGINEER ASSUMES NO RESPONSIBILITY FOR UTILITIES NOT SHOWN OR UTILITIES NOT SHOWN IN THEIR PROPER LOCATIONS. NOTIFY ENGINEER IMMEDIATELY IF DISCREPANCIES ARE ENCOUNTERED.

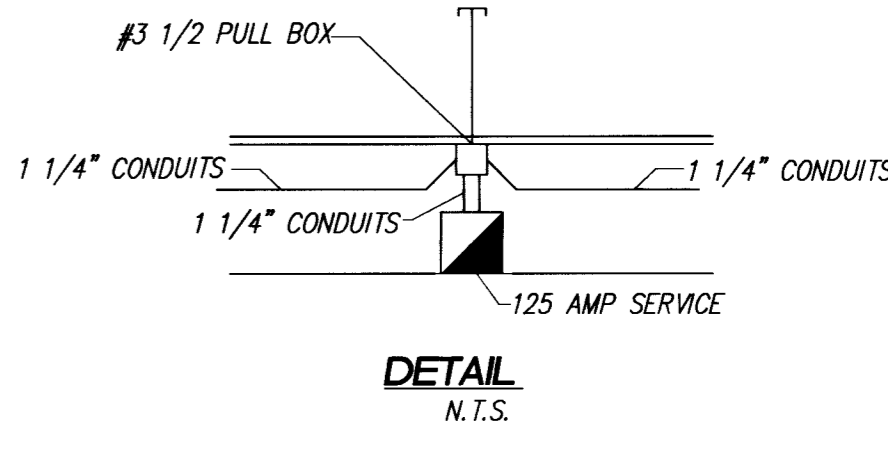
BASIS OF BEARING
BEARING SOUTH 00°13'40" EAST; BEING THE WEST LINE OF THE SOUTHWEST QUARTER (SW 1/4) OF THE NORTHWEST QUARTER (NW 1/4) OF SECTION 20, TOWNSHIP 19 SOUTH, RANGE 60 EAST, CLARK COUNTY, NEVADA, AS SHOWN ON FILE 25, PAGE 44 SURVEYS.

BENCHMARK
CITY OF LAS VEGAS BENCHMARK -2C90-20W4
REBAR #124 FT. NORTHEAST OF DEER SPRINGS AND FORT APACHE
ELEVATION = 806.867 METERS (NAVDB88) ELEVATION = 2647.20 FEET (NAVDB88)

SOILS REPORT
GEOTECHNICAL & ENVIRONMENTAL SERVICES, INC.
7580 WEST SAHARA AVENUE, SUITE 101
LAS VEGAS, NEVADA 89117
TEL: (702) 365-1001
PROJECT NUMBER:



- 125 AMP 240 V PAD MOUNT SERVICE WITH
- 2 2 POLE 60 AMP CIRCUIT BREAKER/S
 - 1 1 POLE 15 AMP CIRCUIT BREAKER/S
 - 0 1 POLE 40 AMP CIRCUIT BREAKER/S
 - 0 1 POLE 60 AMP CIRCUIT BREAKER/S
 - 2 2 POLE 60 AMP CONTACTOR/S
 - 1 BY-PASS SWITCH PER CONTACTOR



LEGEND

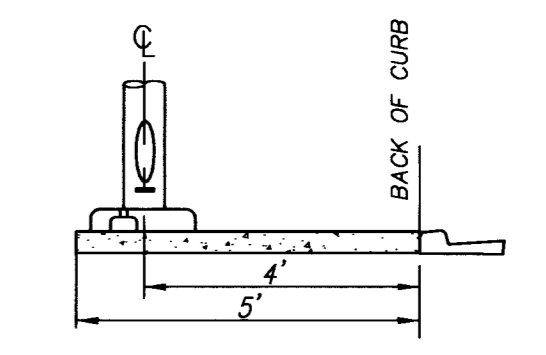
- STOP SIGN
- STREET NAME SIGN
- TRAFFIC SIGN
- SIGHT VISIBILITY RESTRICTION ZONES PER STD. DWG. 201.1 (NOTHING OVER 24" IN HEIGHT ALLOWED IN SVZ EXCEPT TRAFFIC CONTROL DEVICES)
- TYPE III B BARRICADES
- NO PARKING AREA - RED PAINTED CURB
- PROPOSED 400W HPS STREETLIGHT
- PROPOSED 150W HPS STREETLIGHT
- PROPOSED 100W HPS STREETLIGHT
- EXISTING STREETLIGHT
- PROPOSED STREETLIGHT SERVICE POINT
- PROPOSED 3 1/2 PULLBOX
- PROPOSED STREETLIGHT CONDUIT
- PROPOSED STREETLIGHT INTERCONNECT

SIGN LEGEND

- R1-1 STOP SIGN 30 X 30
- R2-1 SPEED LIMIT 35 24 X 30
- RB-3A NO PARKING 24 X 24
- W1-8 NO LEFT TURN 18 X 24
- W4-2 NO OUTLET 30 X 30

STREETLIGHT QUANTITIES

150 W HPS STREETLIGHT	4 EA
3-1/2 PULLBOX	4 EA
INTERCONNECT	0 LF
1 1/4" STREETLIGHT CONDUIT	1472 LF
125 AMP SERVICE POINT	1 EA



STREETLIGHT NOTES:

ALL STREETLIGHT, TRAFFIC SIGNAL, AND DRY UTILITY CONDUITS ARE TO BE INSTALLED UNDER SIDEWALK.
ALL HAND HOLE COVERS MUST BE INSTALLED. POLE CAPS POURED, AND PULL BOX LIDS BOLTED DOWN PRIOR TO ENERGIZING CIRCUIT. ALL WIRE MUST HAVE THW INSULATION.
TRAFFIC LUMINAIRES ARE TO BE WIRED CONTINUOUSLY TO CABINET PEDESTAL USING 2-#10 STR. AND 1-#8 GREEN T.H.W. WIRE. 10' OF SLACK SHALL BE LEFT IN POLE. EACH LUMINAIRE SHALL BE FUSED INDIVIDUALLY WITH A 10 AMP. FUSE IN BOTTOM OF CABINET PEDESTAL TO S/E CORNER OF FARM AND GRAND CANYON.

KIMBALL HILL HOMES
8 SUNSET WAY, SUITE 101
LAS VEGAS, NEVADA 89014
(702) 436-4582

TETRA TECH, INC.
INFRASTRUCTURE SOUTHWEST GROUP
401 N. Buffalo Dr. Suite 200, Las Vegas, Nevada 89145
(702) 242-4200

TERRASANO UNIT 1
CITY OF LAS VEGAS

STREETLIGHT, STRIPING AND SIGNAGE PLAN

SHEET: P08719-0006
TITLE: P08719-0006
SCALE: 1"=20'-04"

ST1
12 OF 15
DRAWING NO. 10744788