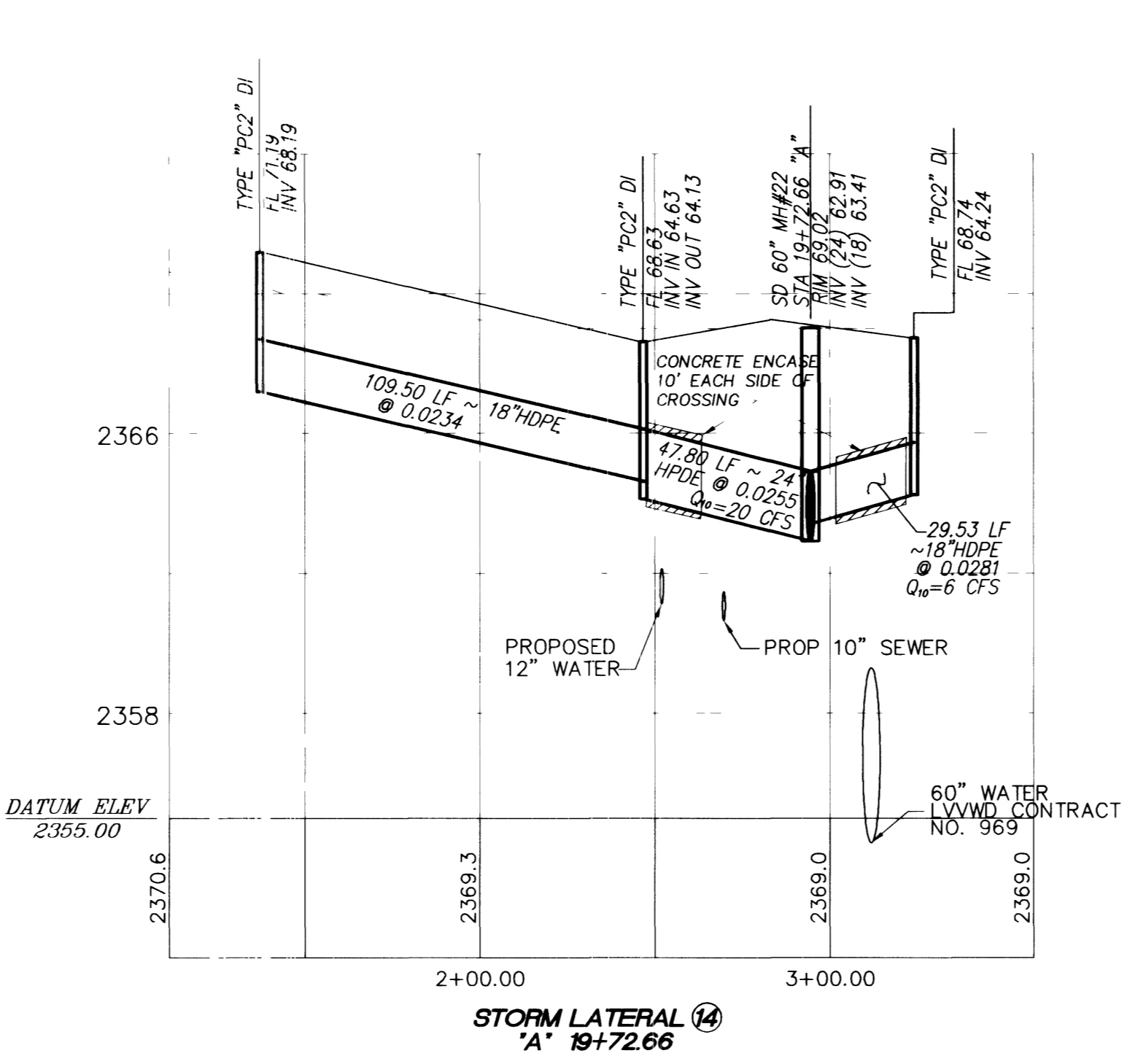
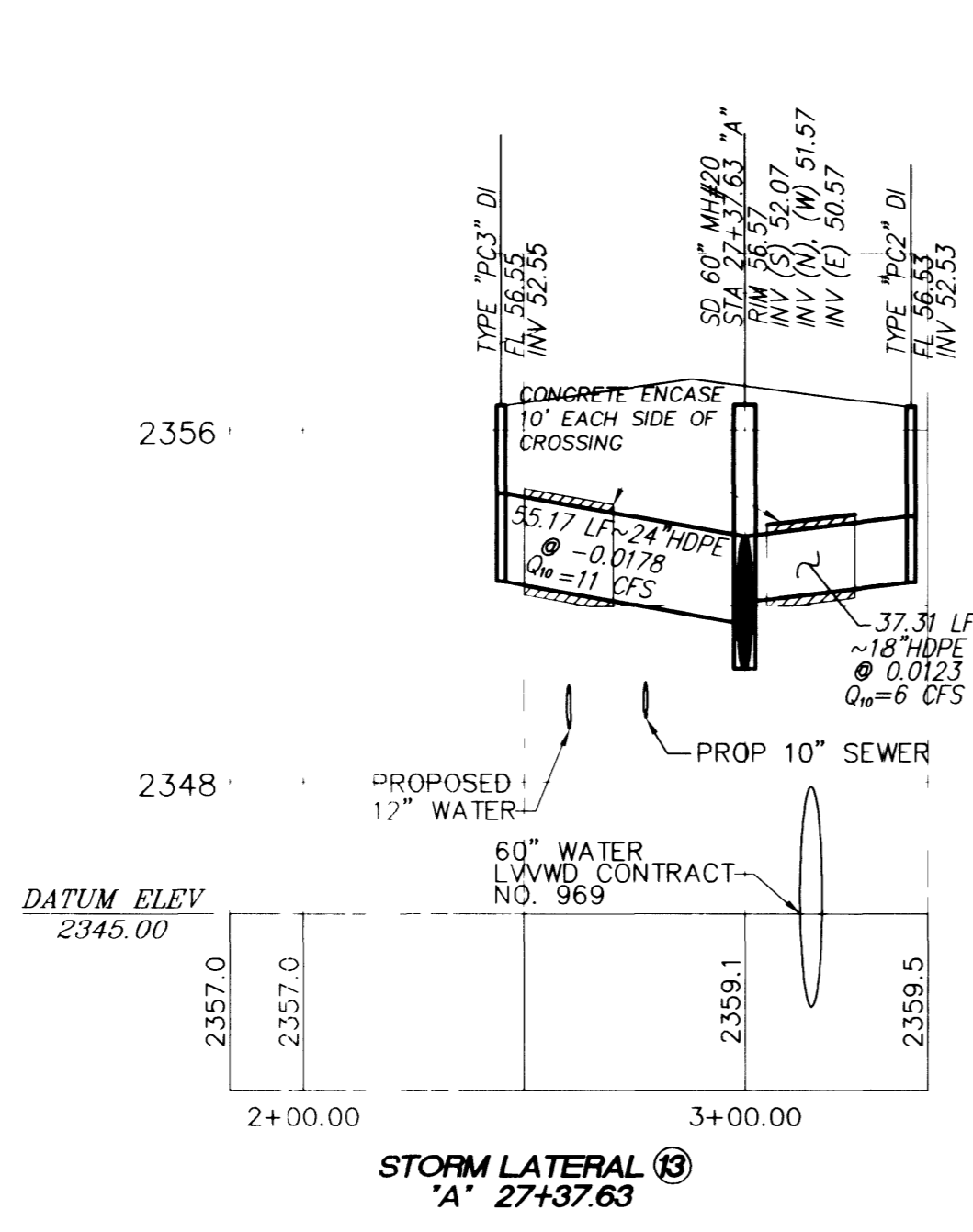
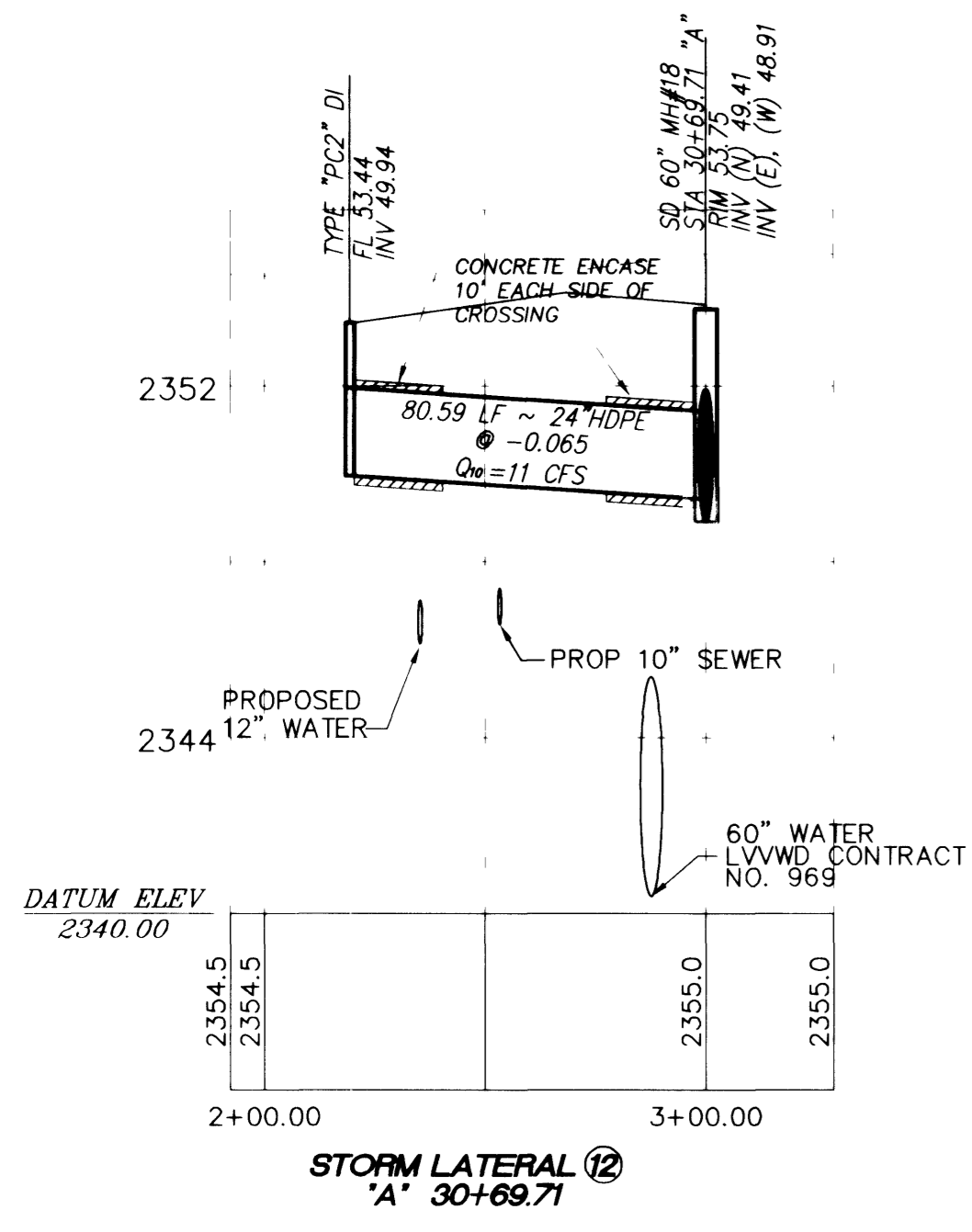


FOR WATER RELOCATION DETAIL SEE SHEET W5

NOTE:
PROTECT WATERLINES IN PLACE. WHEREVER A WATERLINE IS WITHIN 18" ABOVE A STORM DRAIN LINE, OR WHERE COMPACTION UNDER A WATERLINE CAN NOT BE MET, BACKFILL TRENCH WITH CEMENT SLURRY OR FLOWABLE BACKFILL TO THE SPRINGLINE OF THE WATERLINE. THIS REQUIREMENT IS FOR STRUCTURAL SUPPORT ONLY. ADDITIONAL HEALTH REGULATIONS MAY APPLY PER UDACS SECTION 2.19.

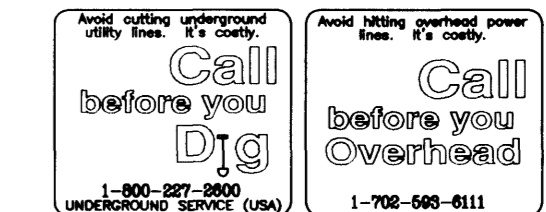


"A" - AZURE DRIVE
"T" - TENAYA WAY

APPROVED FOR CONSTRUCTION

LAS VEGAS VALLEY WATER DISTRICT DATE

DISCLAIMER NOTE



UTILITY LOCATIONS SHOWN HEREON ARE APPROXIMATE ONLY. IT SHALL BE THE CONTRACTOR'S RESPONSIBILITY TO DETERMINE THE EXACT HORIZONTAL AND VERTICAL LOCATION OF ALL EXISTING UNDERGROUND UTILITIES PRIOR TO COMMENCING CONSTRUCTION. NO REPRESENTATION IS MADE THAT ALL EXISTING UTILITIES ARE SHOWN HEREON. THE ENGINEER ASSUMES NO RESPONSIBILITY FOR UTILITIES NOT SHOWN OR UTILITIES NOT SHOWN IN THEIR PROPER LOCATION.

REV	DATE	BY	REVISION

ENGINEERING DESIGN SECTION

DEPARTMENT OF PUBLIC WORKS
400 EAST STEWART
LAS VEGAS, NV, 89101
(702) 229-5276

CITY ENGINEER: CHARLES KAIKOWSKI, JR., P.E.
PROJECT MANAGER: THERESA M. HANRAHAN, P.E.

PRIMAS AND ASSOCIATES CONSULTING ENGINEERS
1081 CIMARRON ROAD, SUITE A-3
LAS VEGAS, NV (702) 228-8183
PHONE (702) 228-8184
FAX (702) 228-8194

SHEET
AZURE DRIVE
STORM DRAIN
LATERAL PROFILES
TITLE
TENAYA WAY / AZURE DRIVE
ROADWAY IMPROVEMENTS

DRAWN BY:
DESIGNED BY:
CHECKED BY:
PROJECT NO.: 907.01001
SCALE: 1"=40' HORZ
1"=4' VERT

SEAL
REGISTERED PROFESSIONAL ENGINEER, STATE OF NEVADA
CRACKS
PRIMAS
No. 6638
DATE: 11/19/01
EXPIRES: 11/19/03

SHEET
SD8
54 OF 70 SHEETS
DRAWING NO.
107-V3145