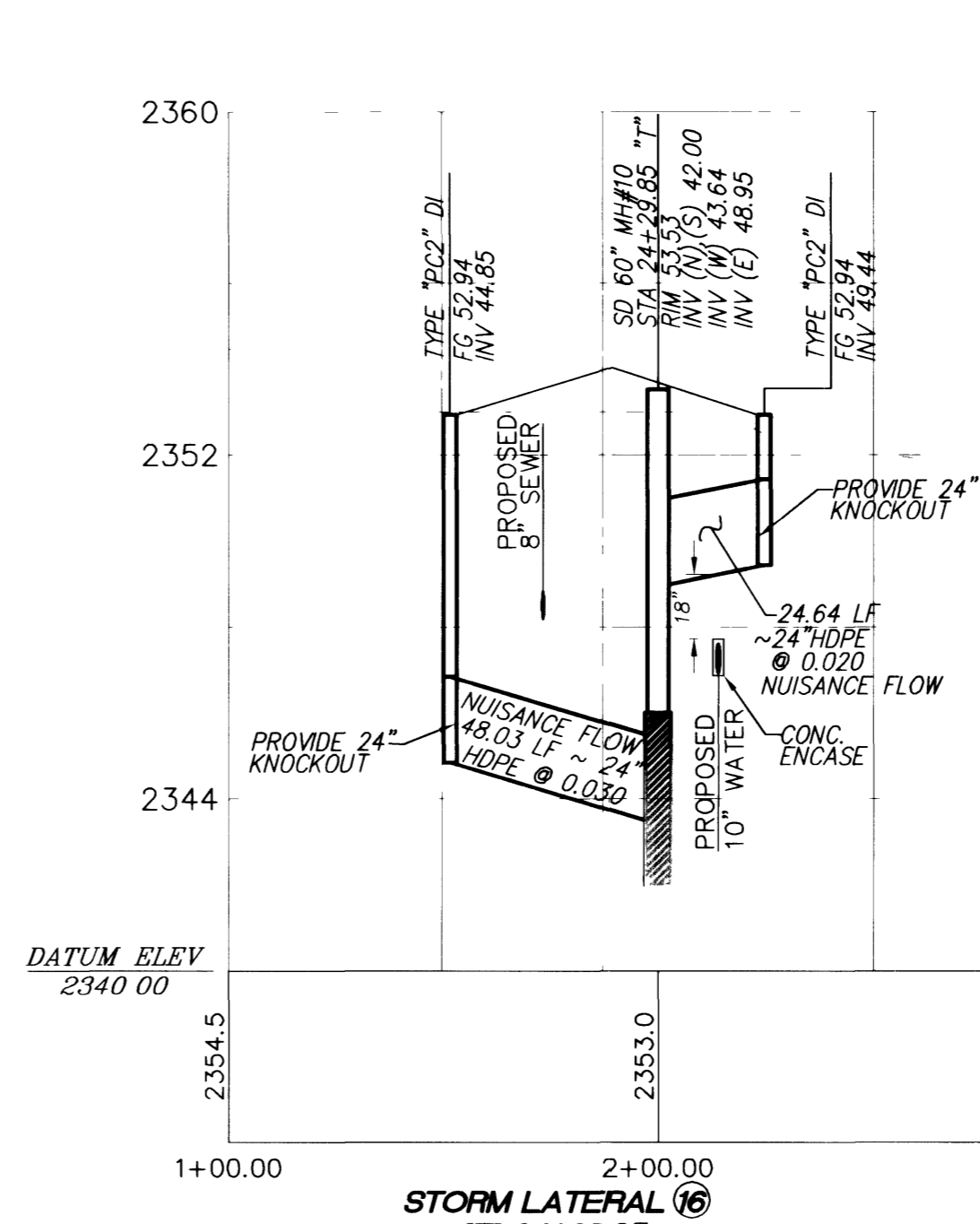
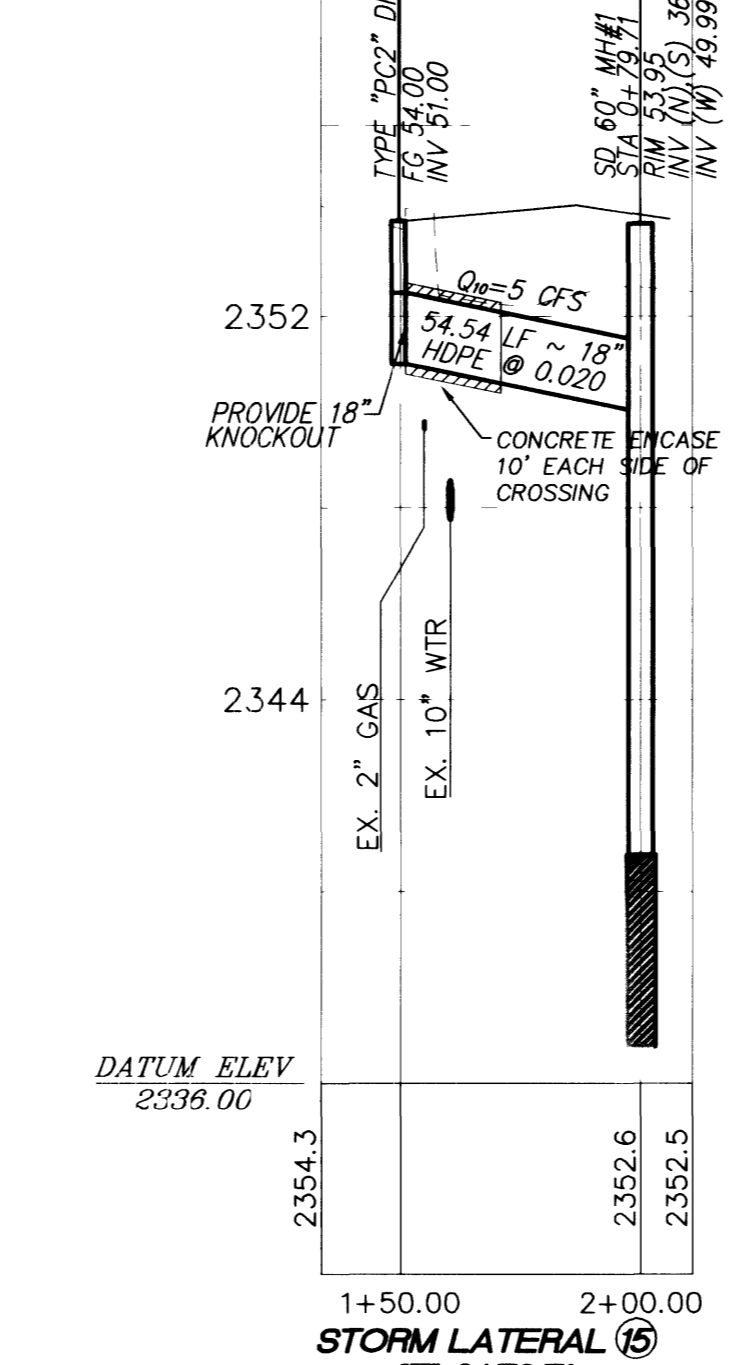
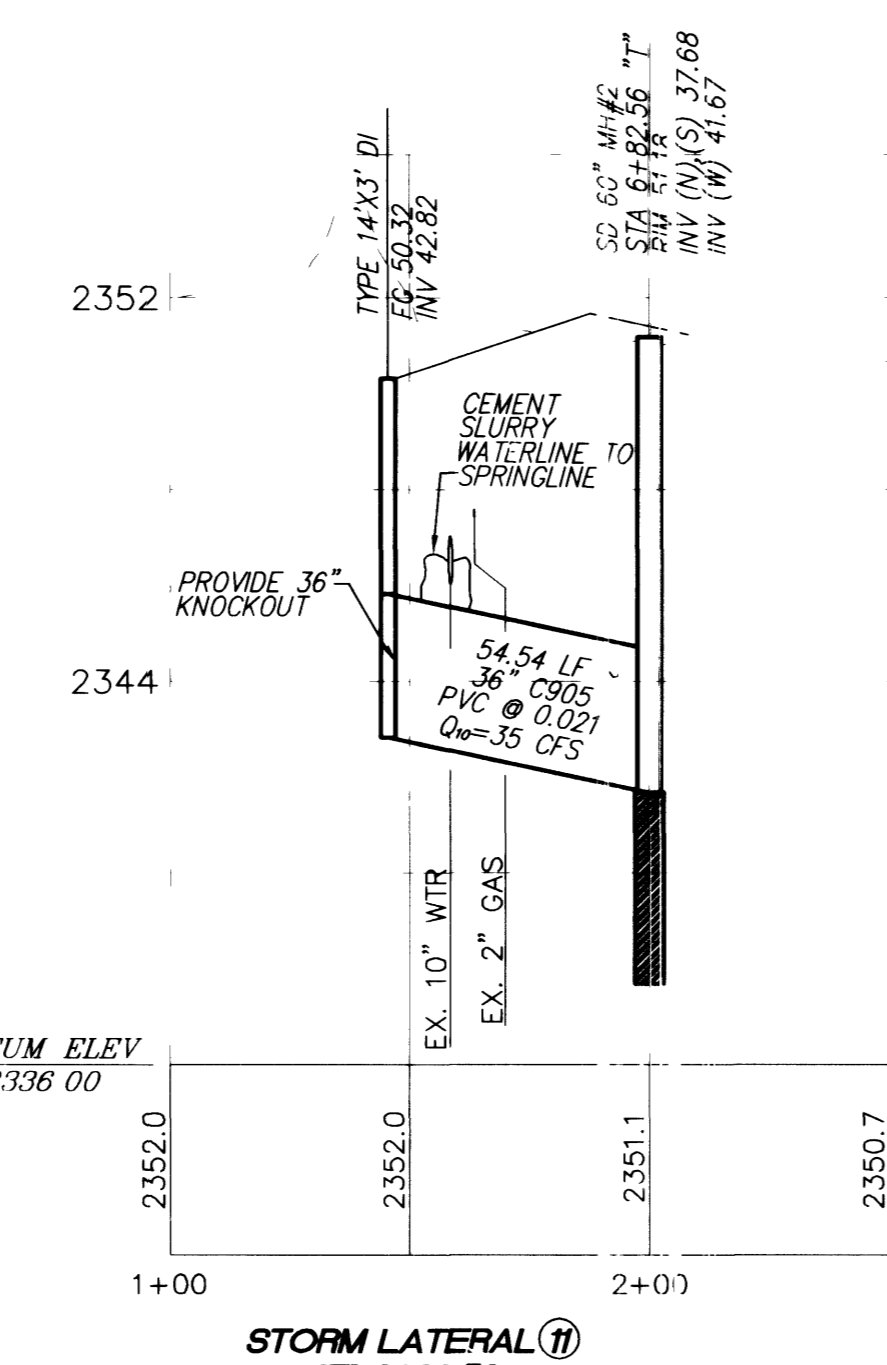
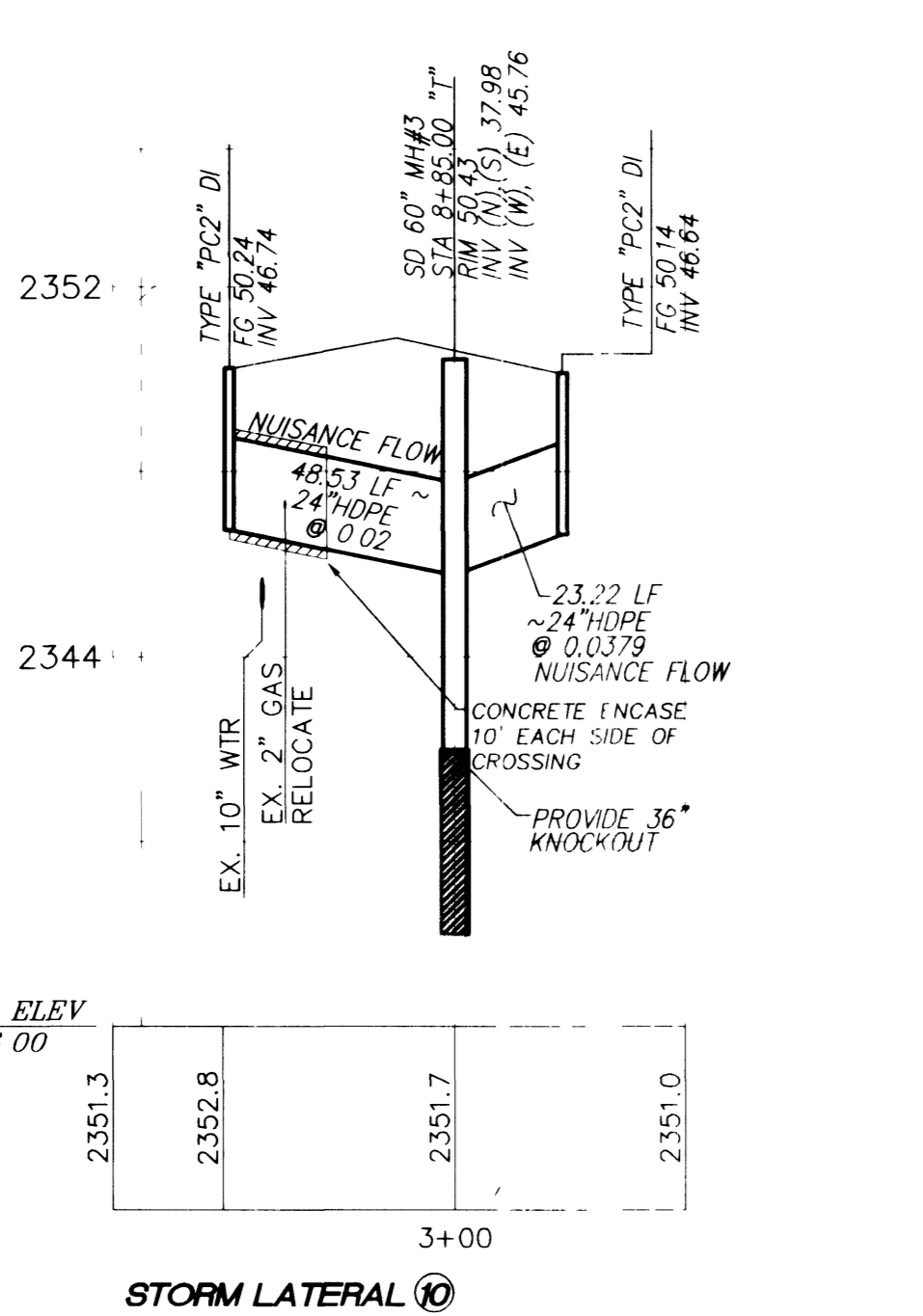
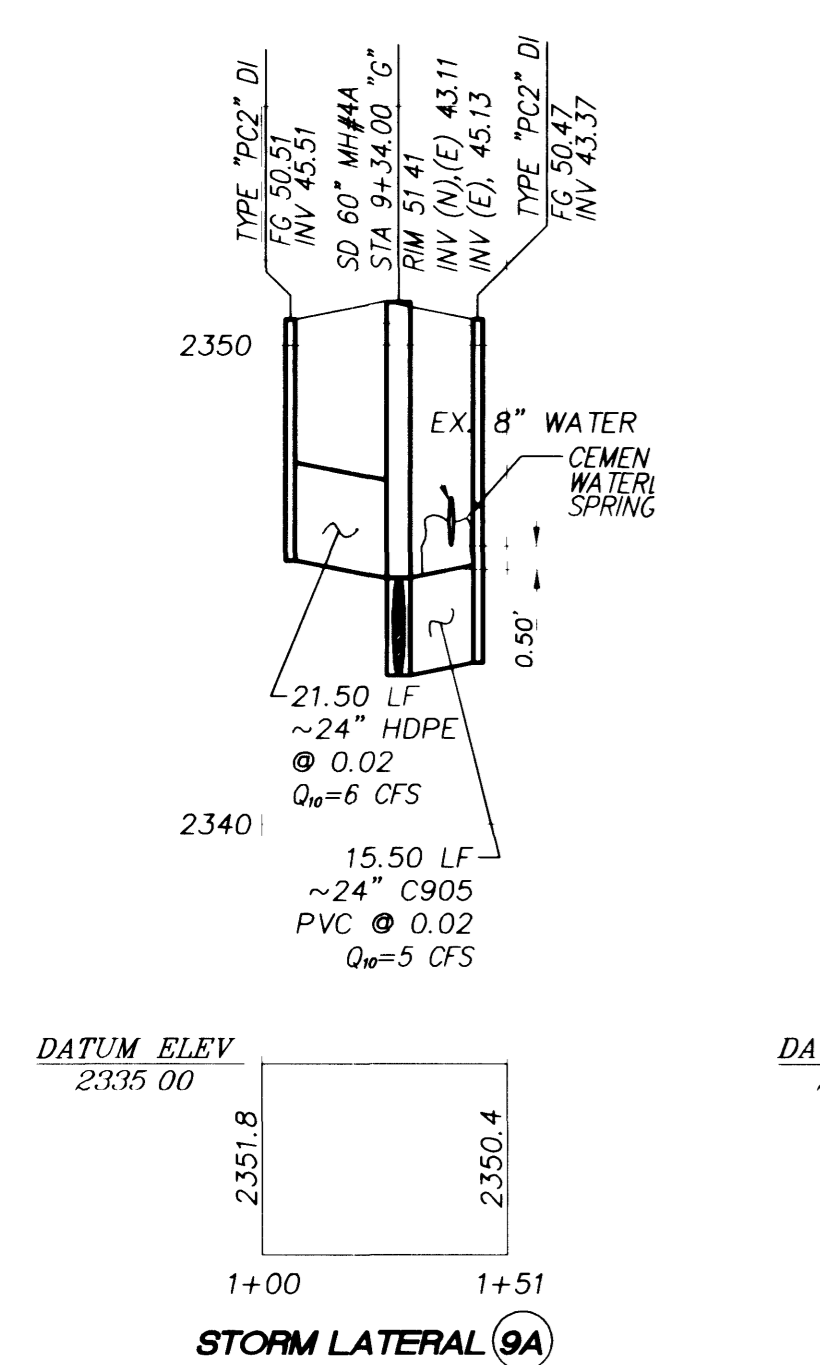
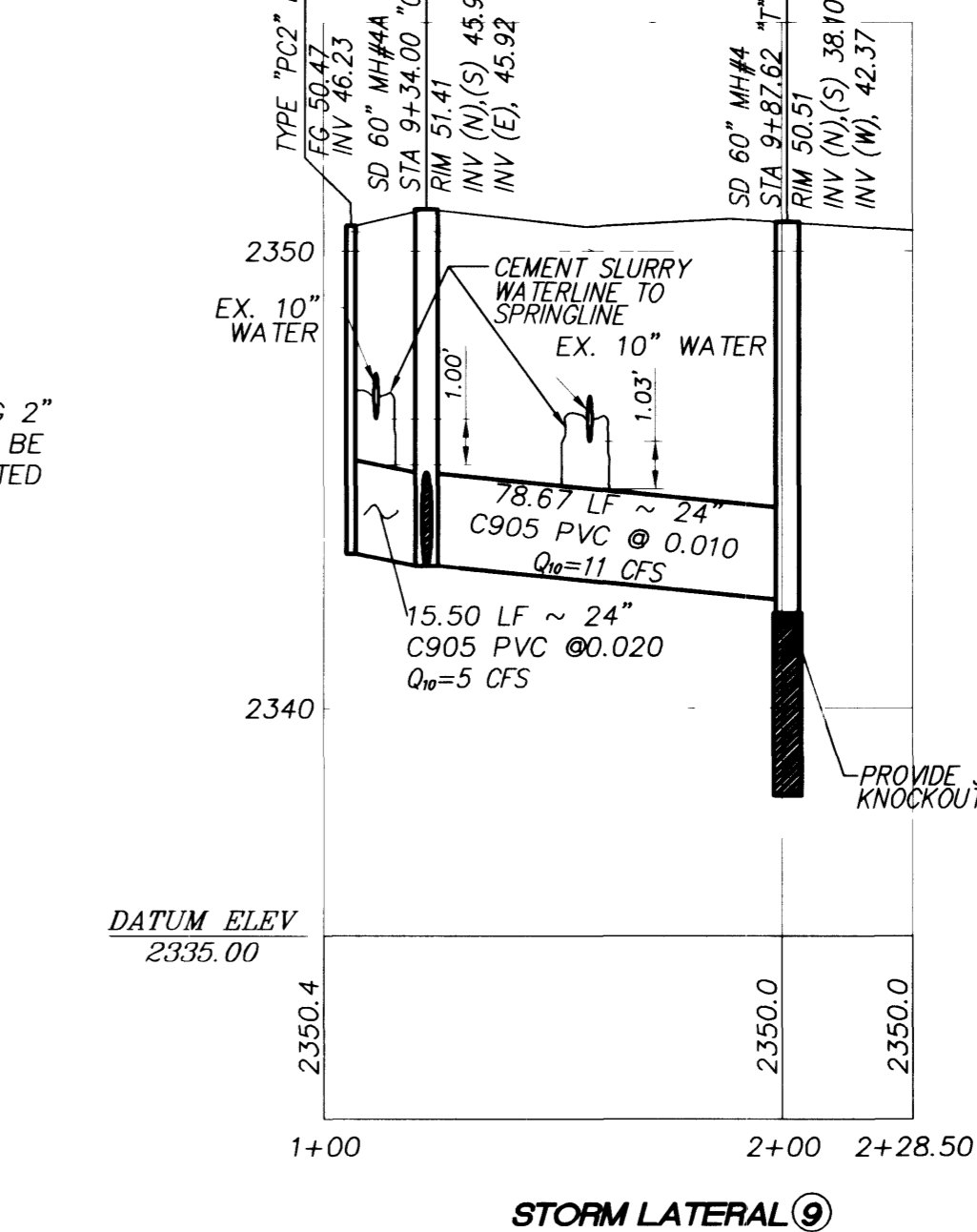
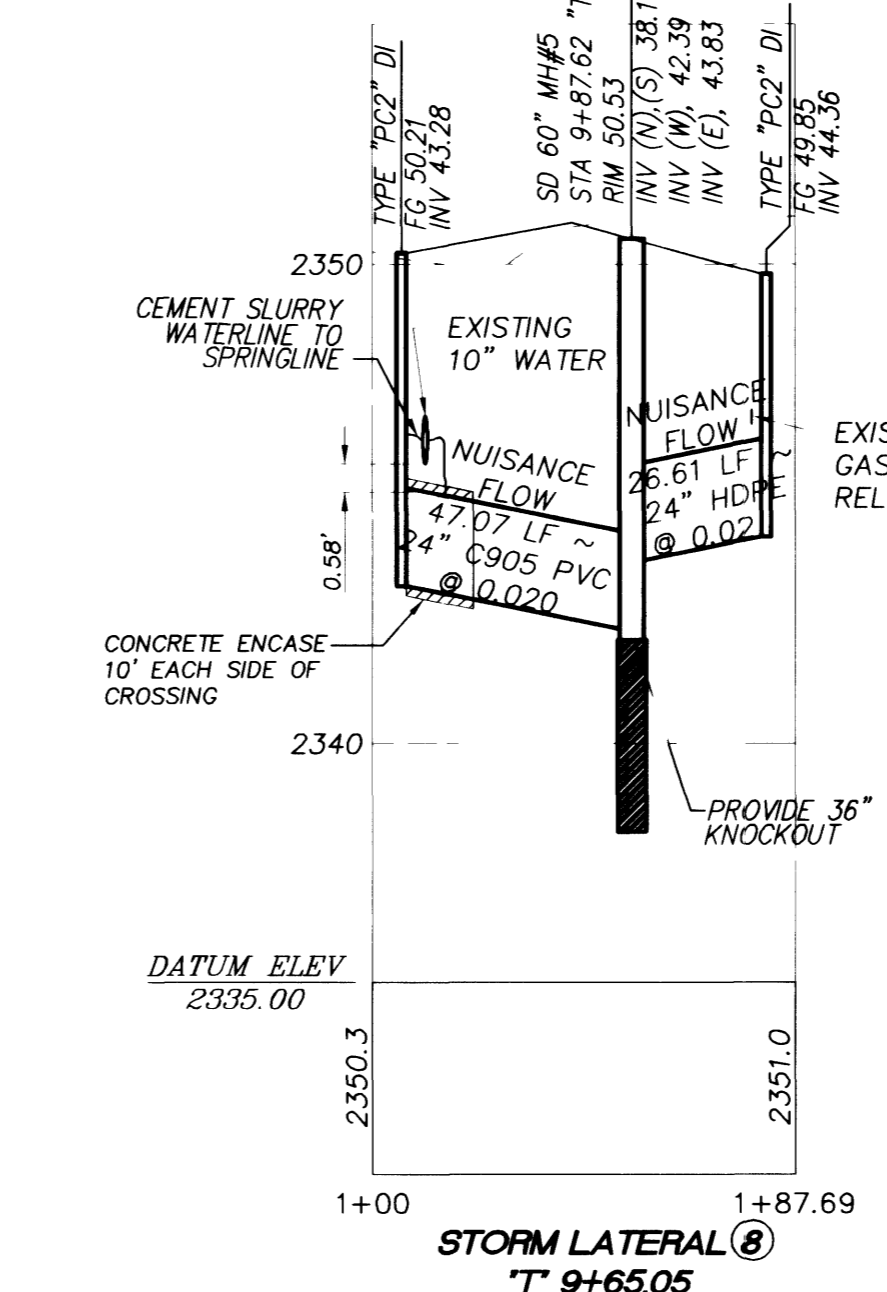
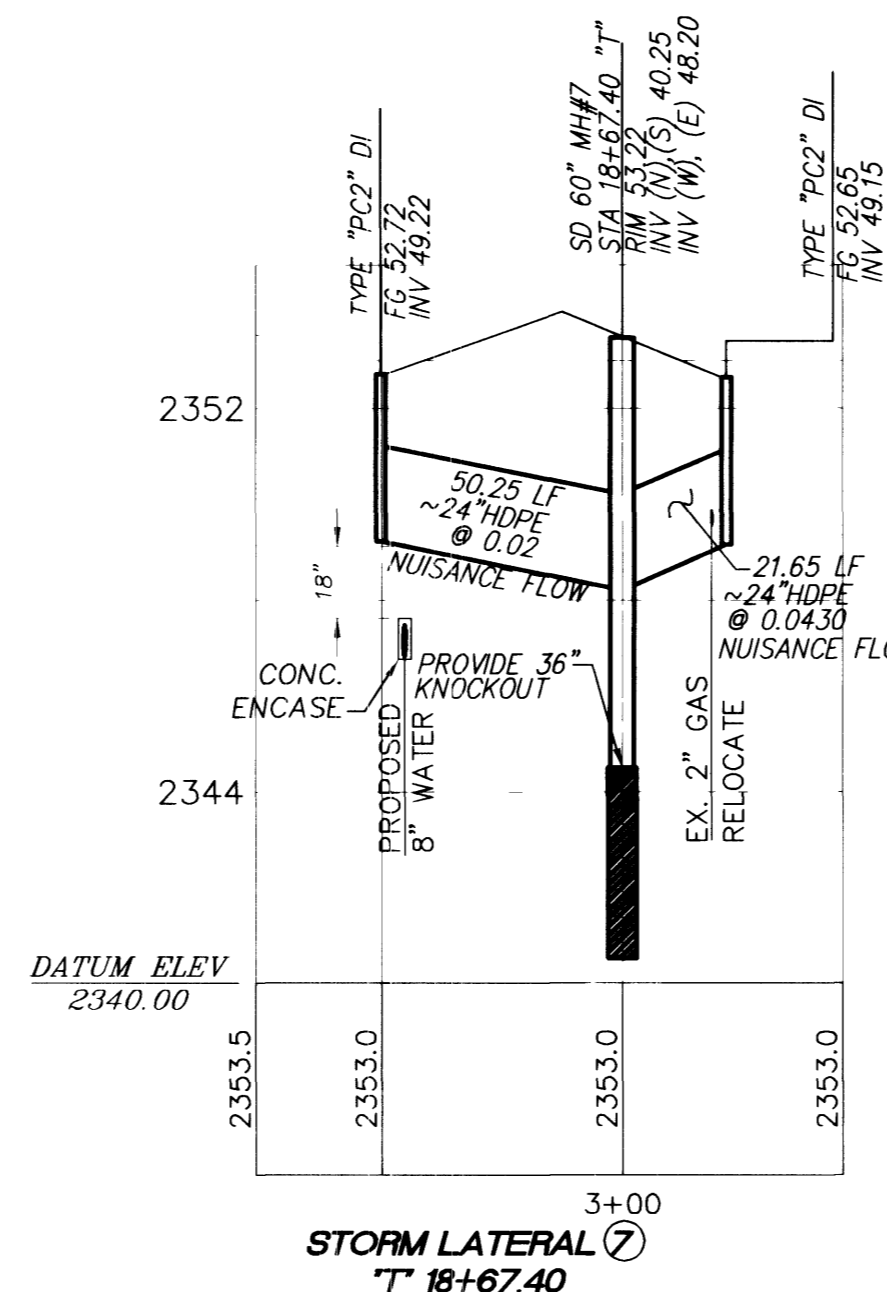
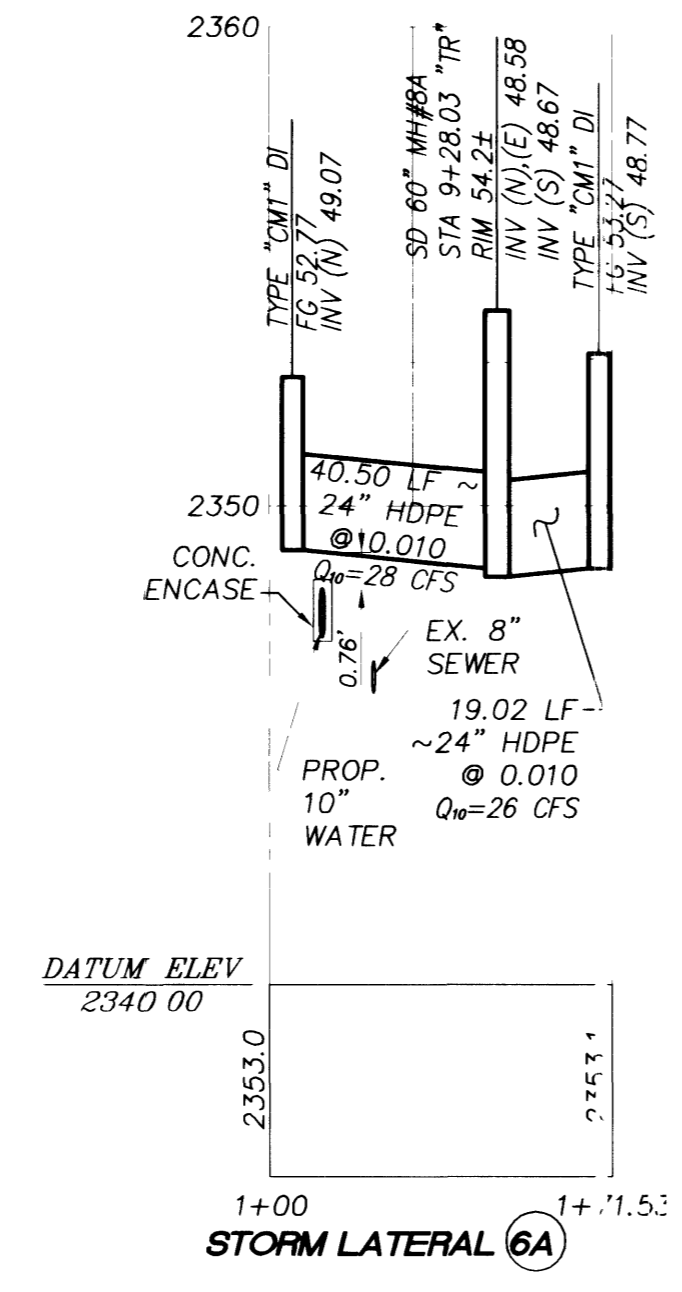
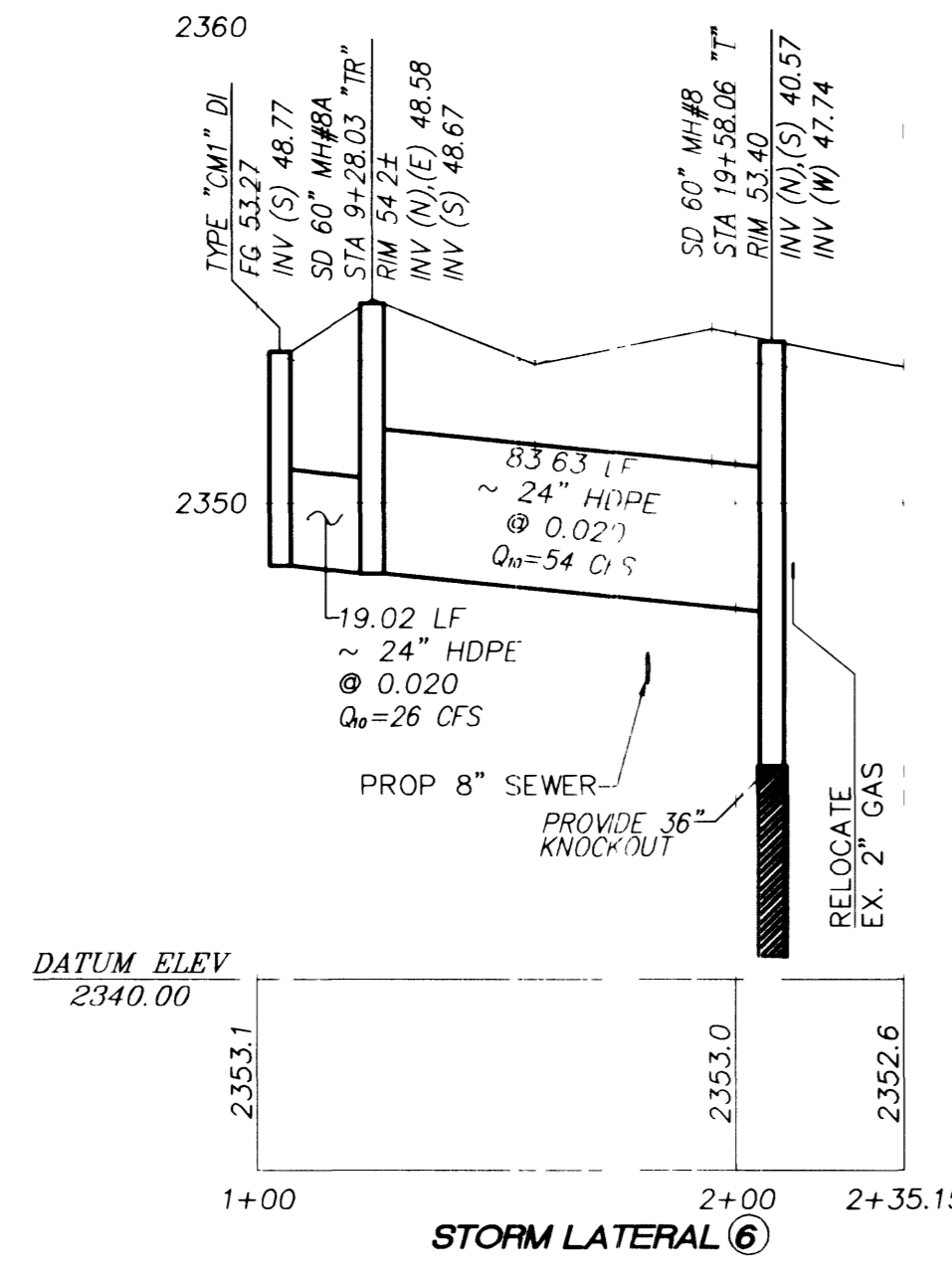
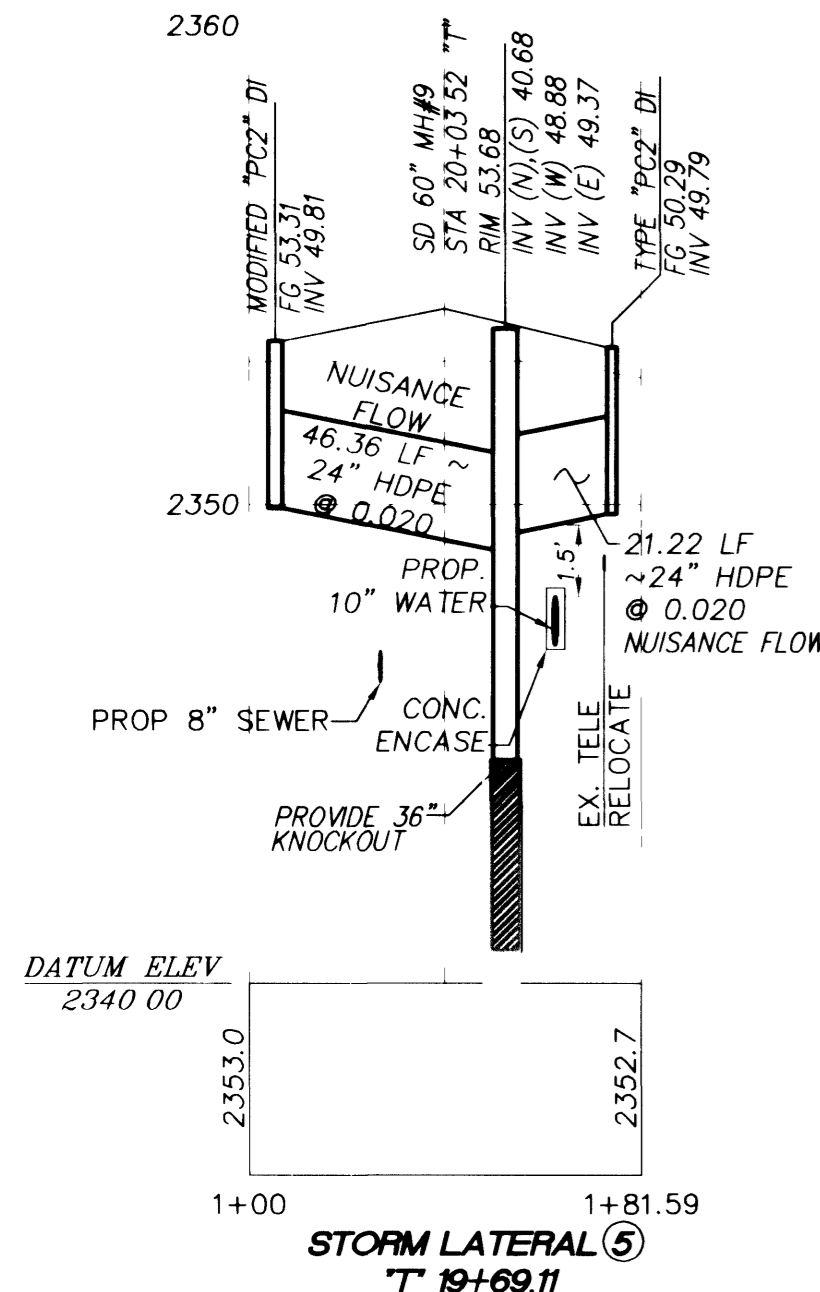


FOR WATER RELOCATION DETAIL SEE SHEET W5

NOTE:
PROTECT WATERLINES IN PLACE. WHEREVER A WATERLINE IS WITHIN 18" ABOVE A STORM DRAIN LINE, OR WHERE COMPACTION UNDER A WATERLINE CAN NOT BE MET, BACKFILL TRENCH WITH CEMENT SLURRY OR FLOWABLE BACKFILL TO THE SPRINGLINE OF THE WATERLINE. THIS REQUIREMENT IS FOR STRUCTURAL SUPPORT ONLY. ADDITIONAL HEALTH REGULATIONS MAY APPLY PER UDCS SECTION 2.19.



"A" - AZURE DRIVE
"T" - TENAYA WAY

APPROVED FOR CONSTRUCTION

LAS VEGAS VALLEY WATER DISTRICT DATE

DISCLAIMER NOTE

UTILITY LOCATIONS SHOWN HEREON ARE APPROXIMATE ONLY. IT SHALL BE THE CONTRACTOR'S RESPONSIBILITY TO DETERMINE THE EXACT HORIZONTAL AND VERTICAL LOCATION OF ALL EXISTING UNDERGROUND UTILITIES PRIOR TO COMMENCING CONSTRUCTION. NO REPRESENTATION IS MADE THAT ALL EXISTING UTILITIES ARE SHOWN HEREON. THE ENGINEER ASSUMES NO RESPONSIBILITY FOR UTILITIES NOT SHOWN OR UTILITIES NOT SHOWN IN THEIR PROPER LOCATION.

ENGINEERING DESIGN SECTION

CITY ENGINEER: CHARLES KAIKOWSKI, JR., P.E.
PROJECT MANAGER: THERESA M. HANRAHAN, P.E.

1091 CIMARRON ROAD, SUITE A-3
DAS VEGAS, NV 89119 228-8183
FAX (702) 228-8194

PRIMAS AND ASSOCIATES
CONSULTING ENGINEERS

TENAYA WAY / AZURE DRIVE
STORM DRAIN LATERAL PROFILES
ROADWAY IMPROVEMENTS

SHEET: _____

DESIGNED BY: _____
CHECKED BY: _____

PROJECT NO: 907.01001
SCALE: 1"=40' HORZ
1"=4' VERT

DATE: 10/26/16

SEAL: _____
REGISTERED PROFESSIONAL ENGINEER
PRIMAS AND ASSOCIATES
CIVIL ENGINEER
No. 6638
EXPIRES 12/31/17

SHEET SD7
53 OF 70 SHEETS
DRAWING NO. 107-V3145