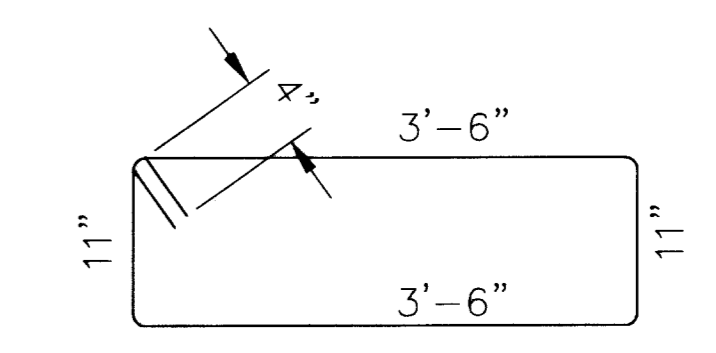
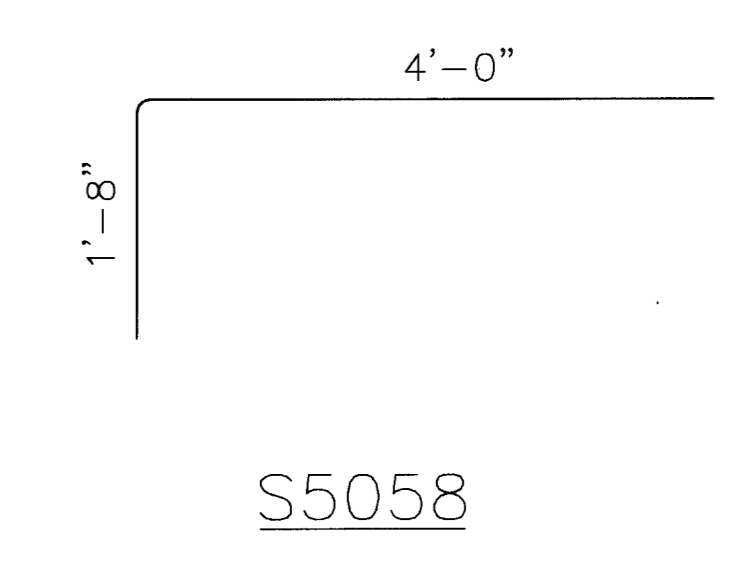
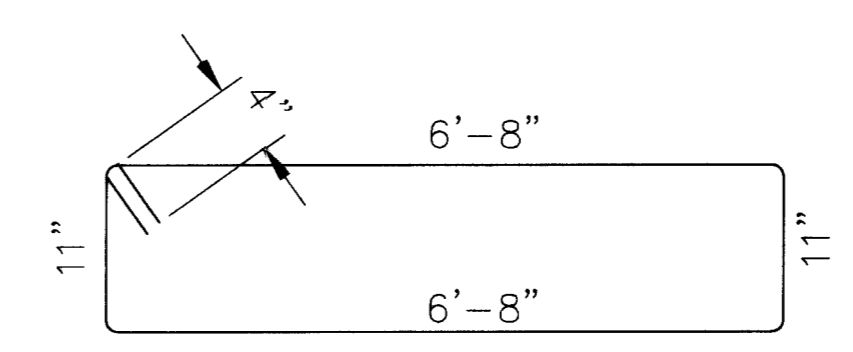
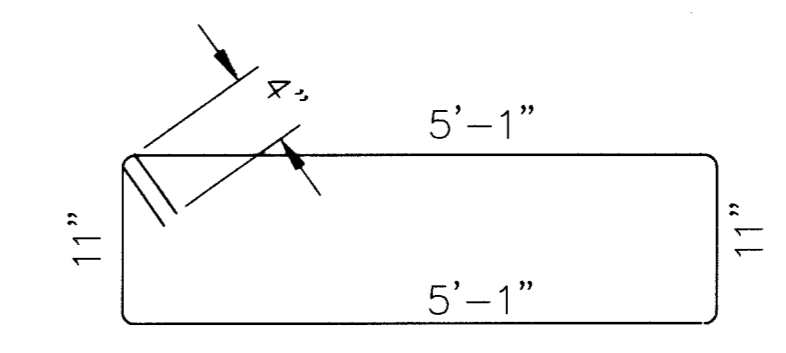
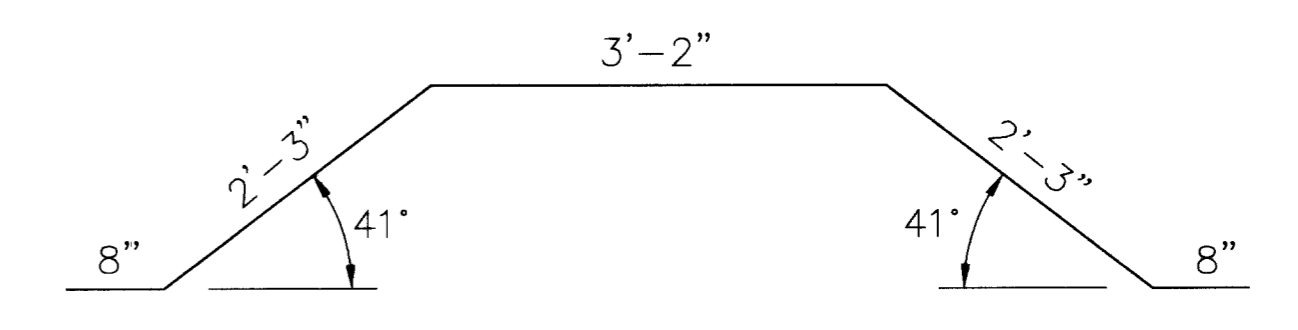
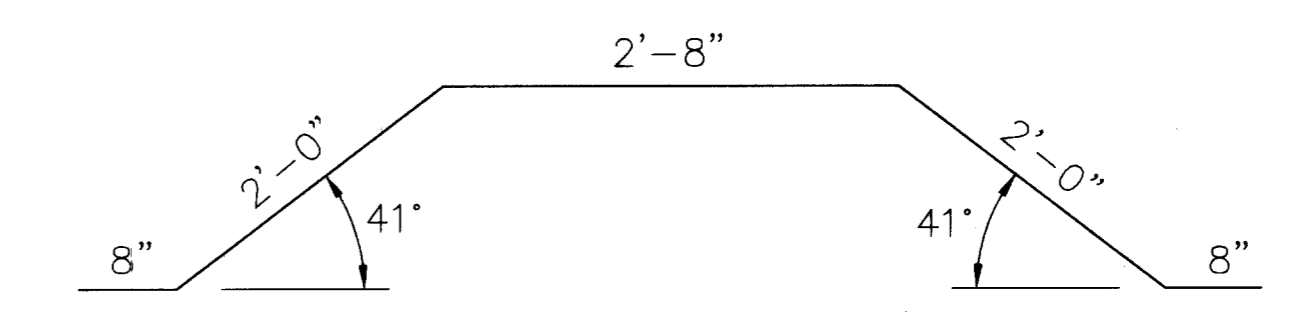
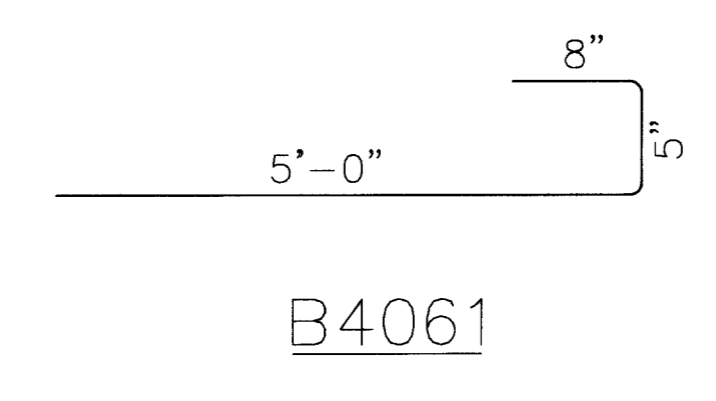
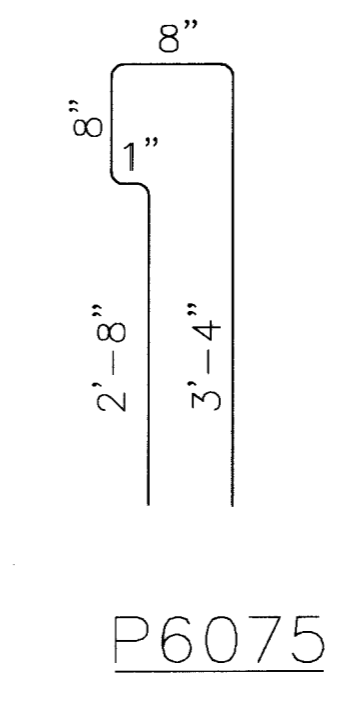
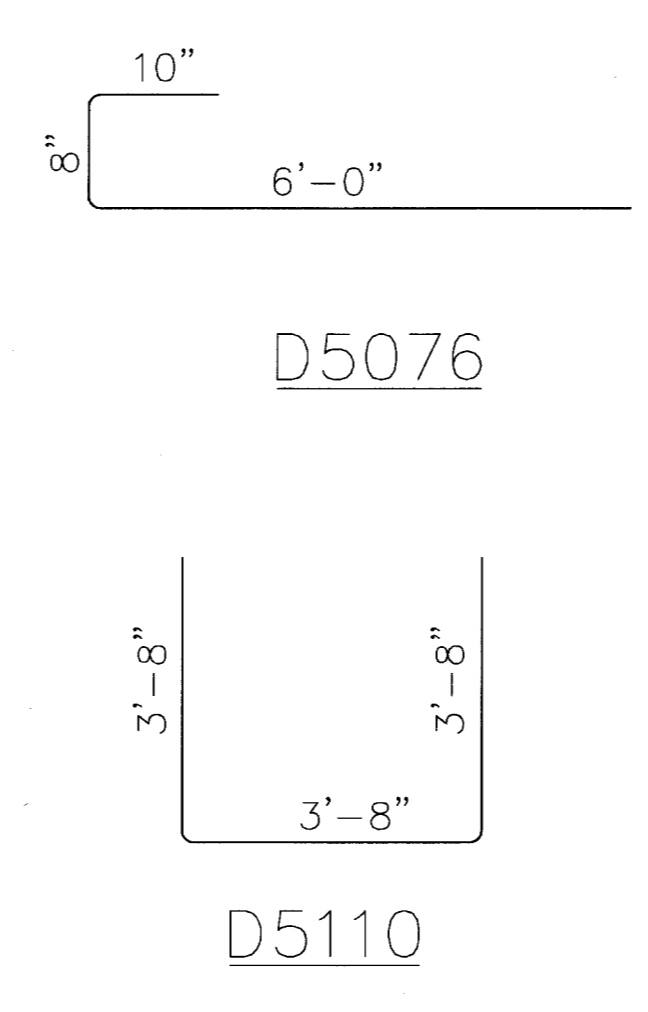
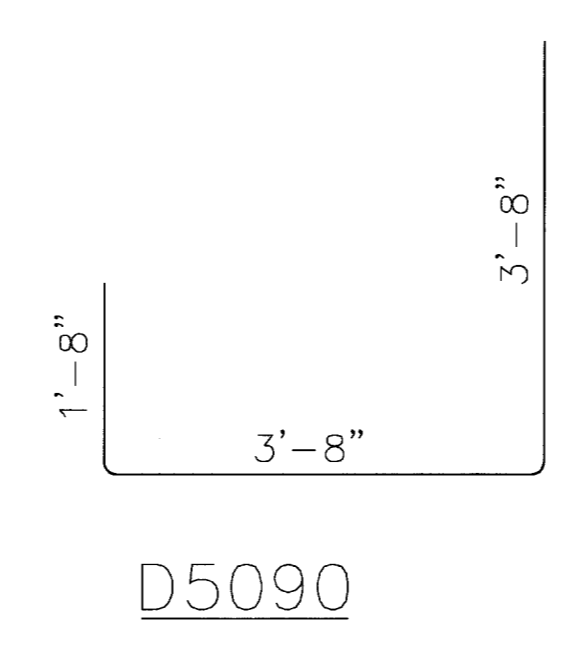
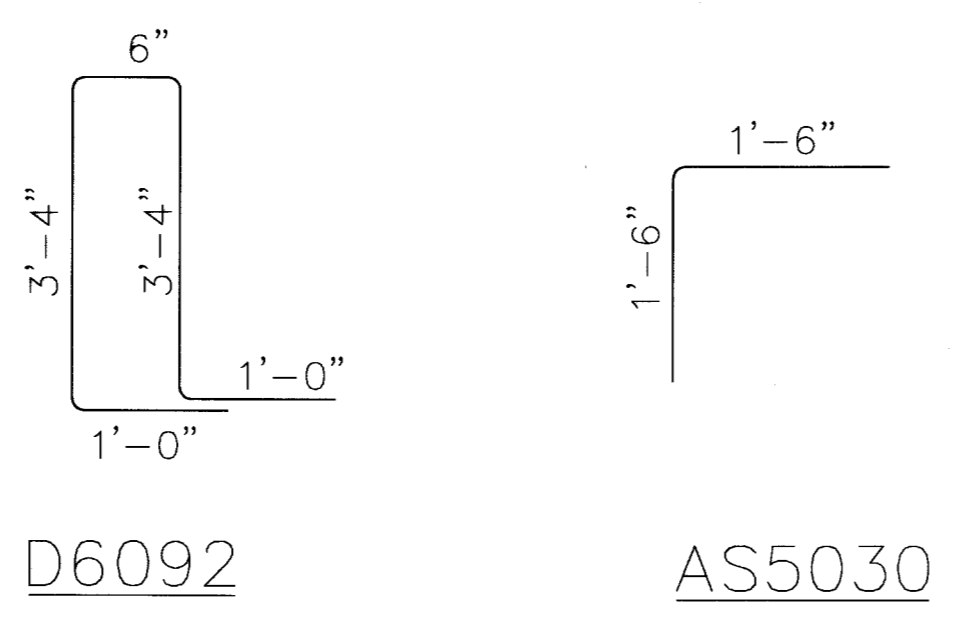
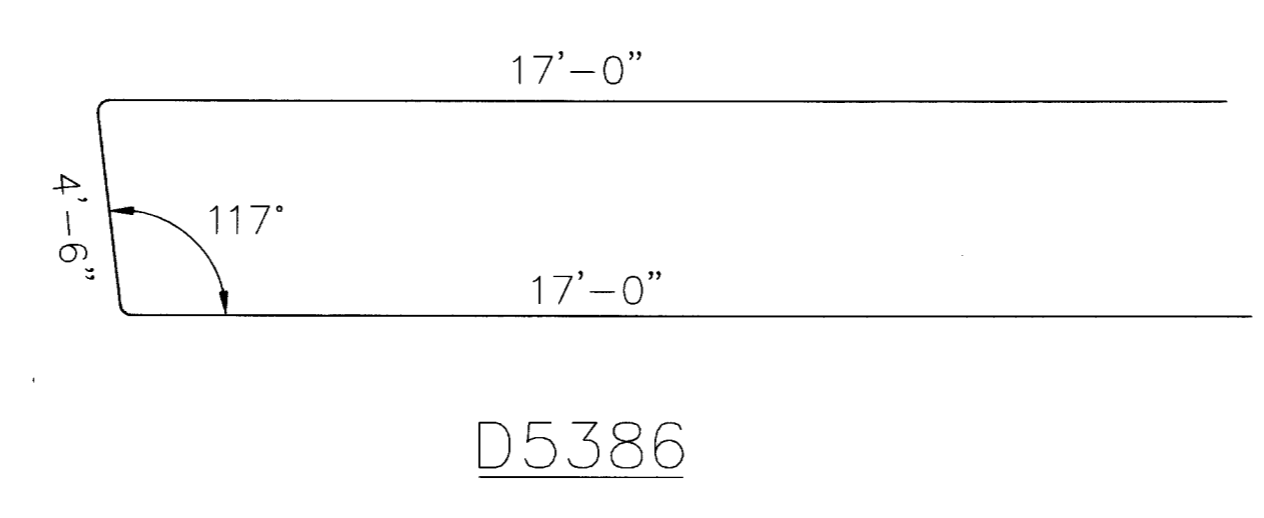
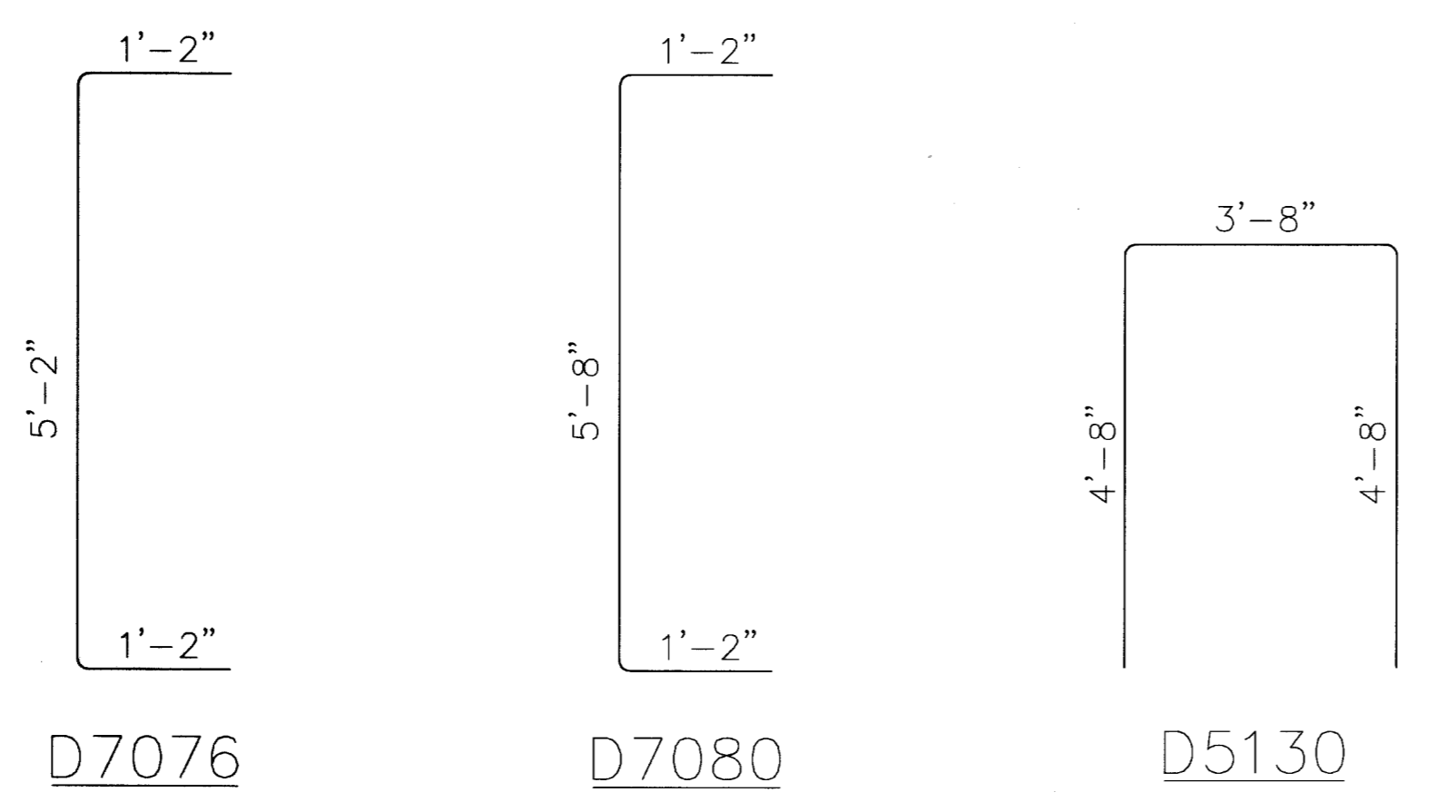
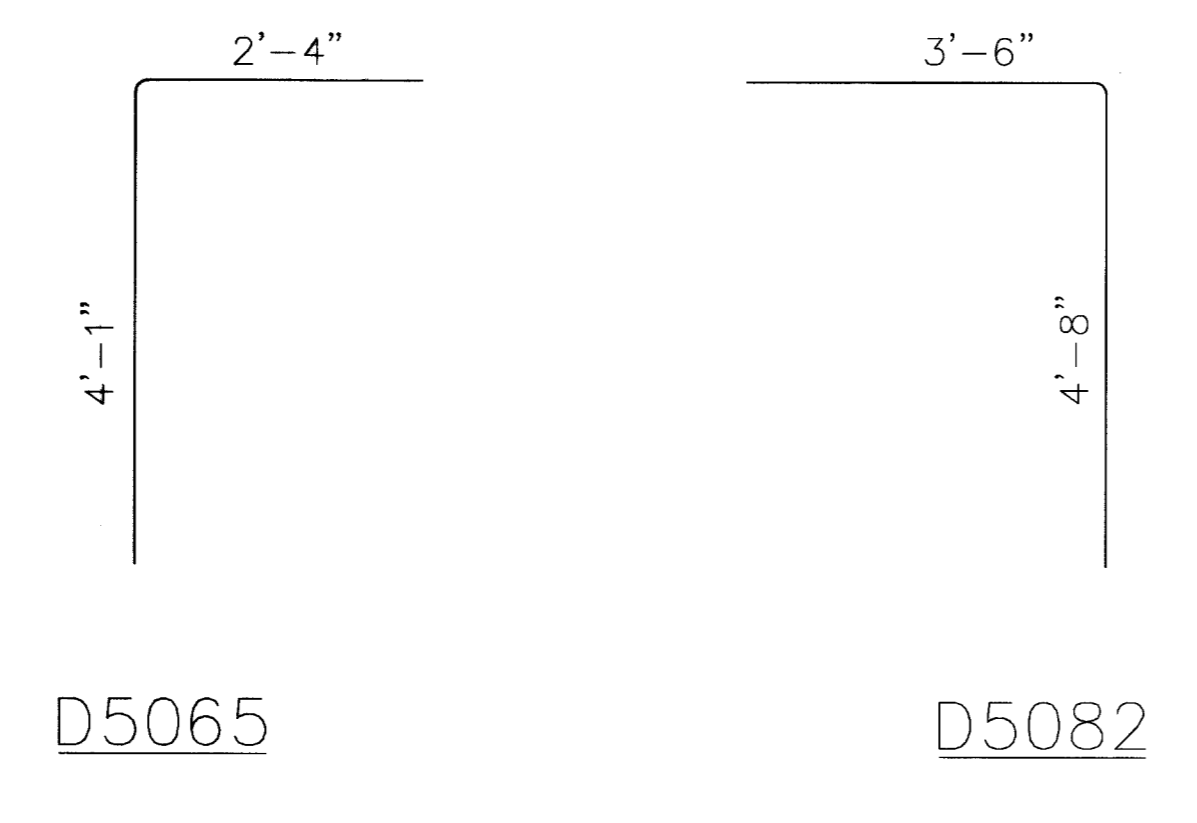
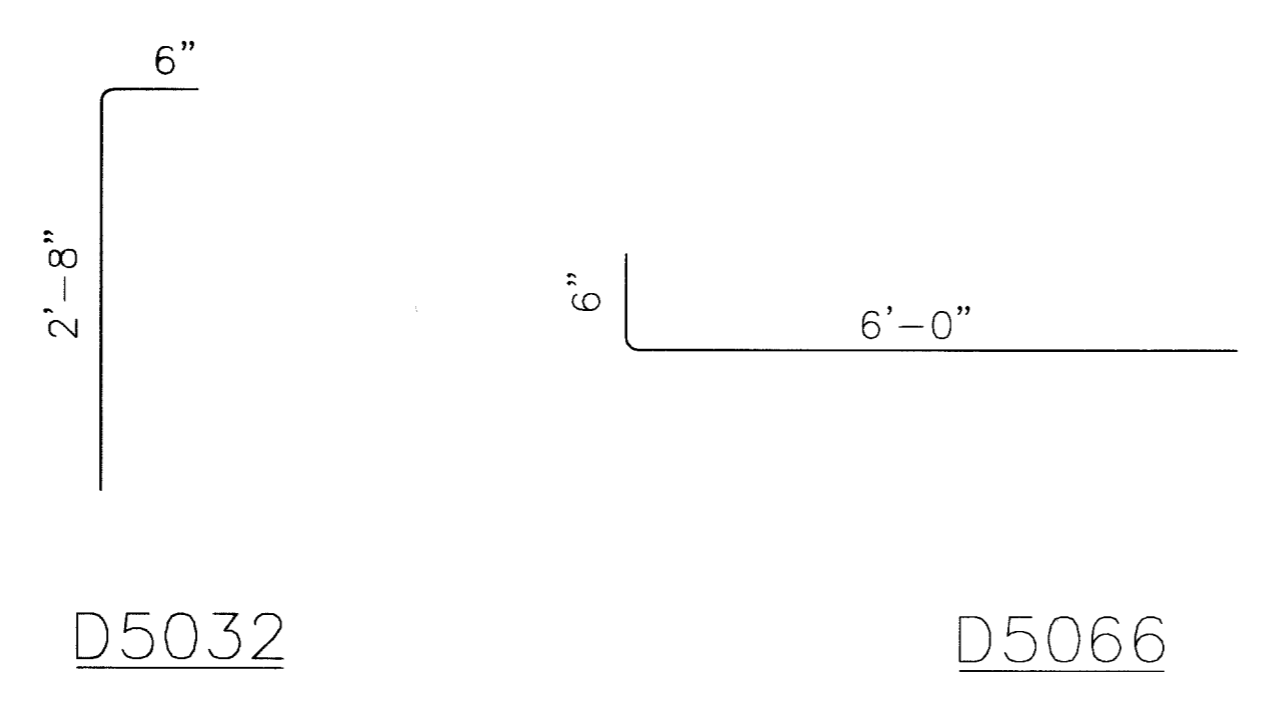
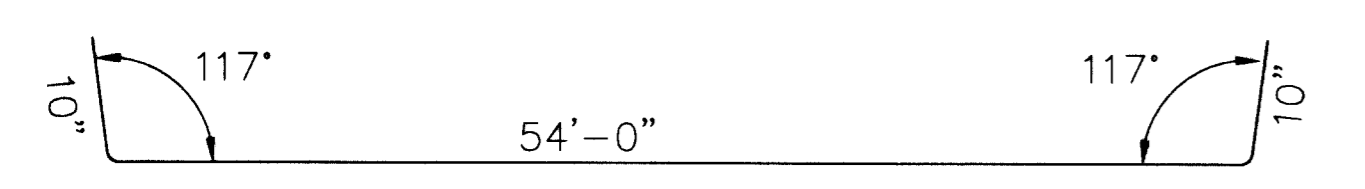
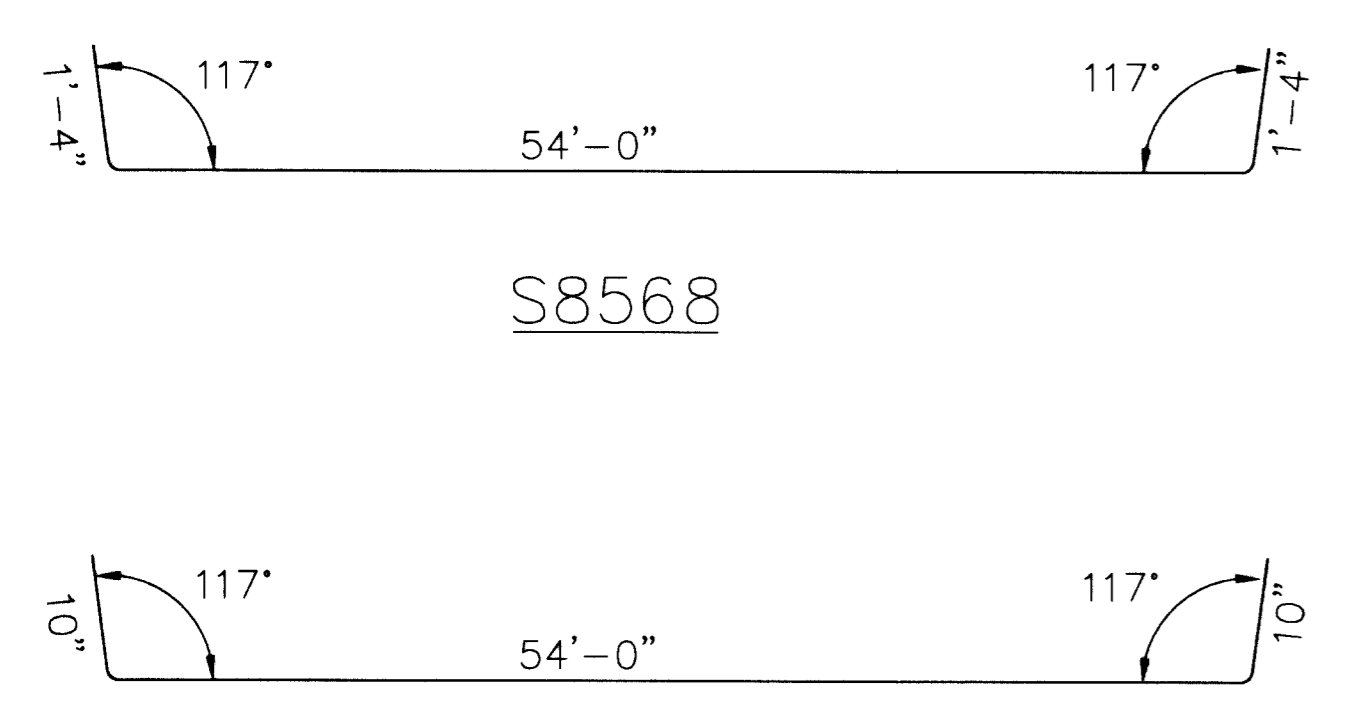
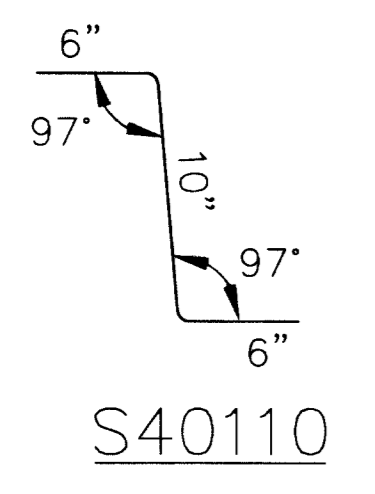
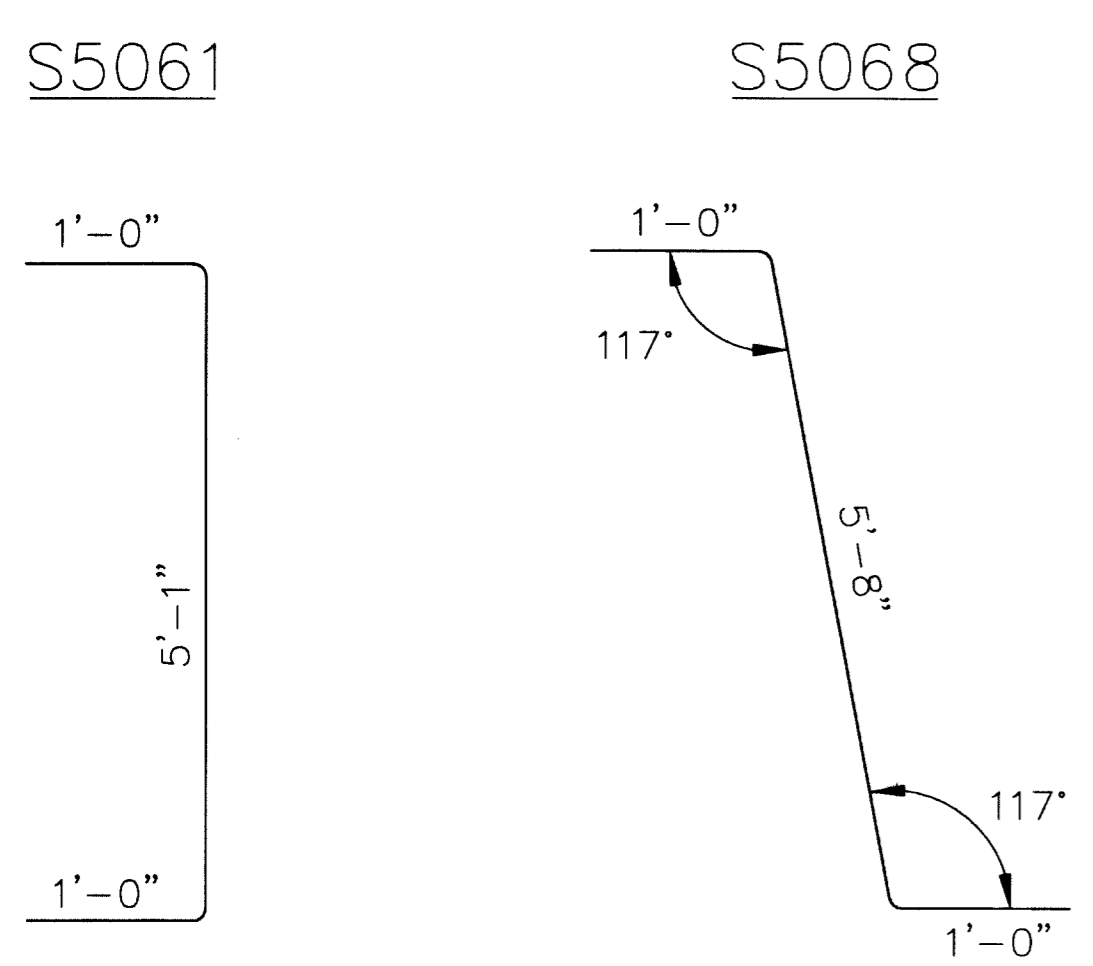
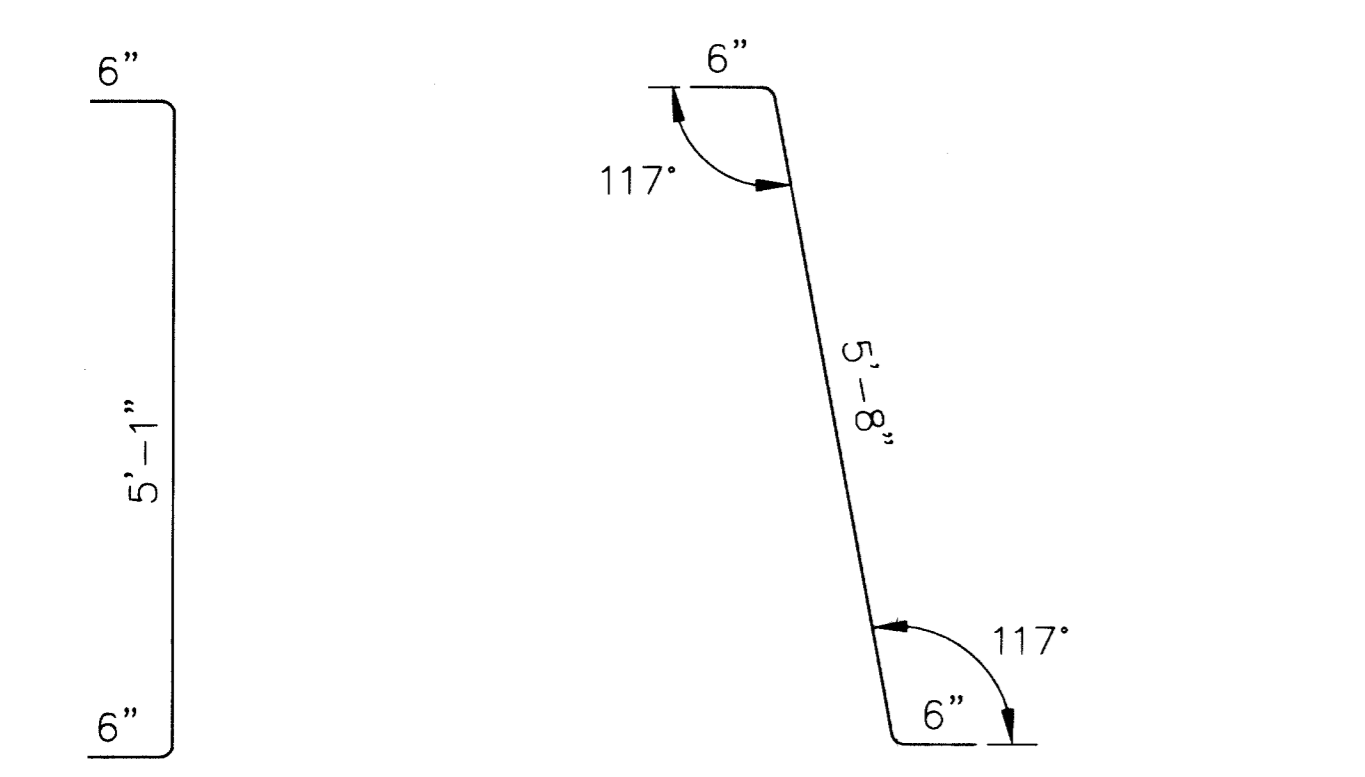


P:\Tenaya\Sheets\B-31.dwg 10/18/07 3:50pm abdo

109517



NO.	DATE	DESCRIPTION

DEPARTMENT OF PUBLIC WORKS
ENGINEERING DESIGN SECTION

CITY ENGINEER: JORGE CERVANTES, P.E.
 PROGRAM MANAGER: MARK SORENSEN, P.E.

DESIGNED BY: N/A
 DRAWN BY: CG
 CHECKED BY: CS

HDR Engineering, Inc.
 DATE: 10/2007

HORIZONTAL SCALE: N/A
 VERTICAL SCALE: N/A

TENAYA WAY OVERPASS
AT SUMMERLIN PKWY

BAR BENDS - 2

TITLE: H-2858
 SHEET: H-2858

MANAS ASTHANA
 Exp. 12-31-08
 CIVIL

Sheet **B-31**
 74 of 96
 DRAWING NO. 107Y4452