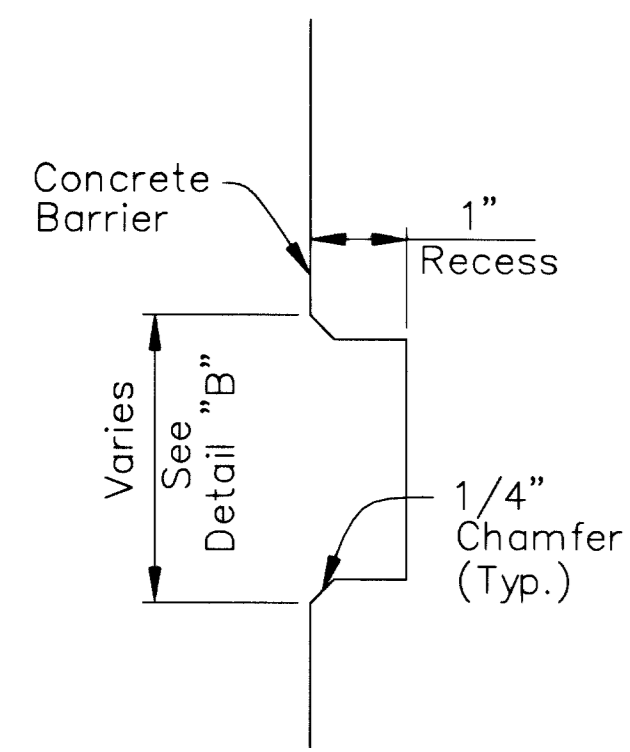
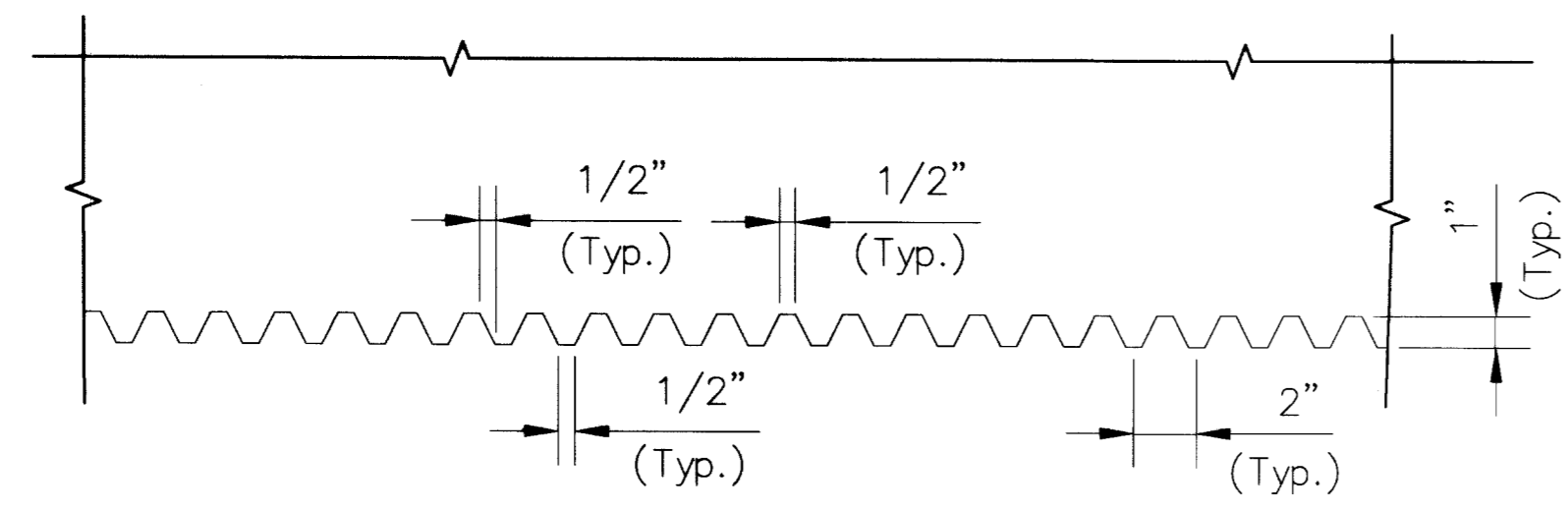


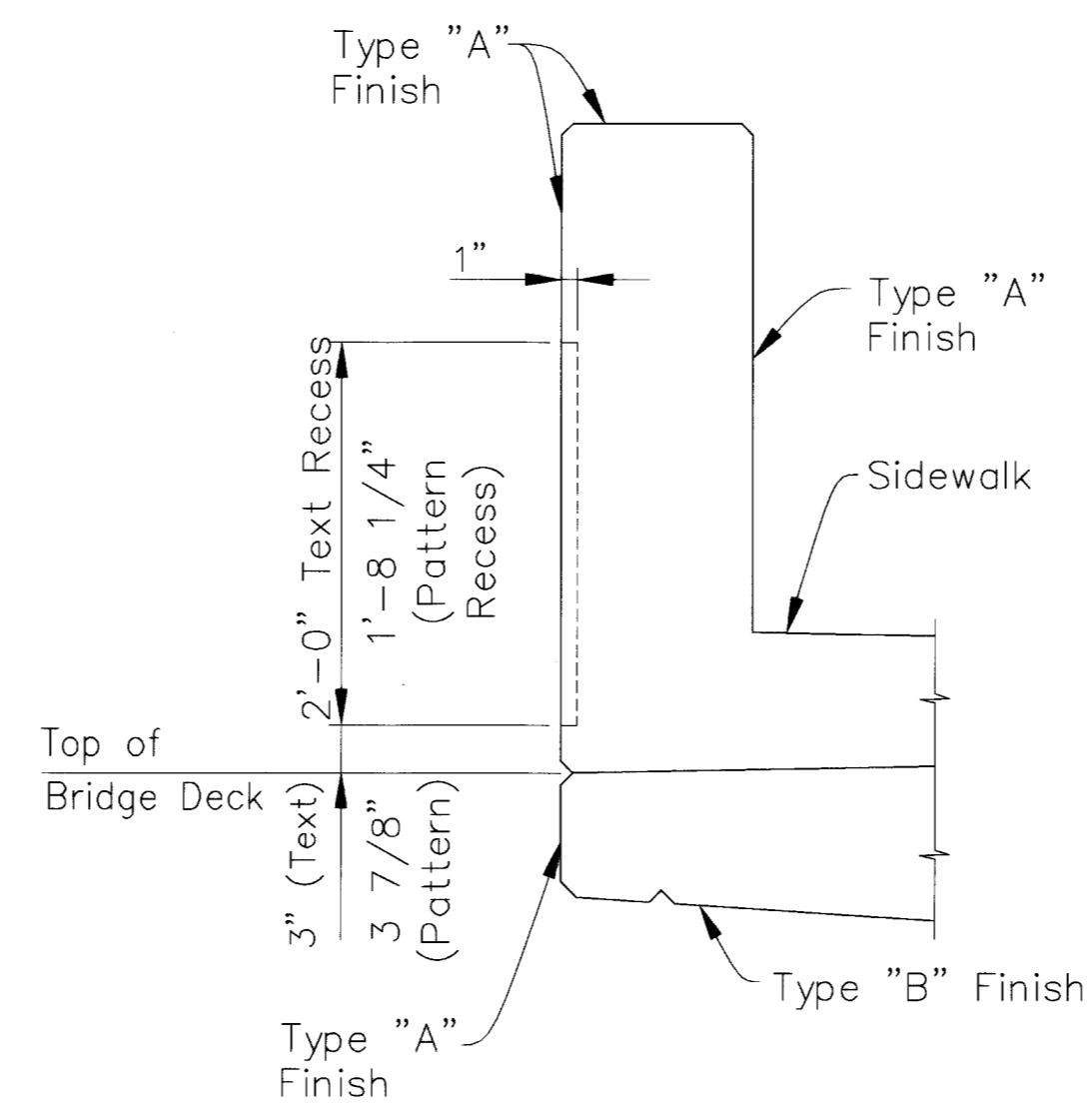
DETAIL "D"



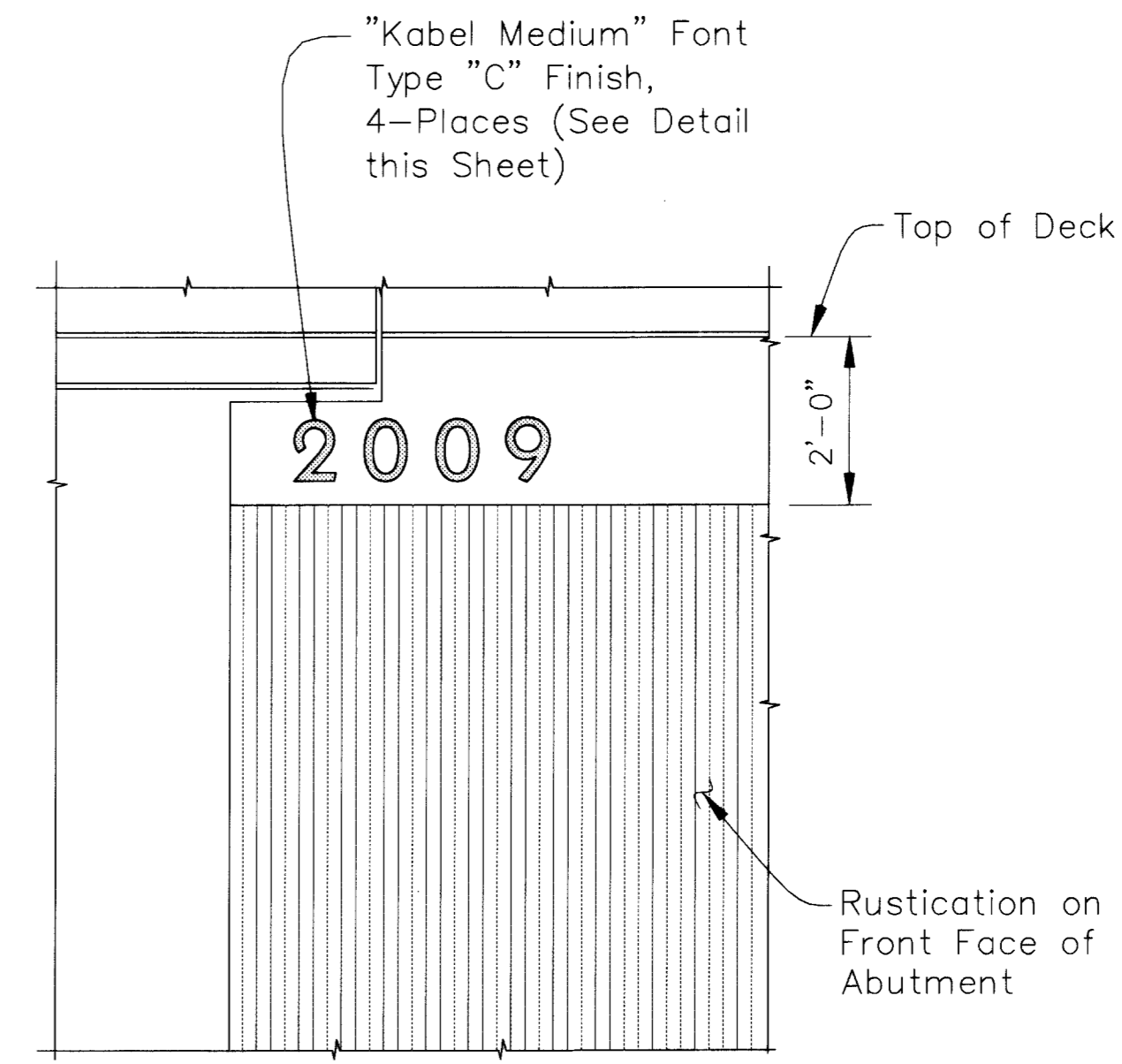
RECESS DETAIL



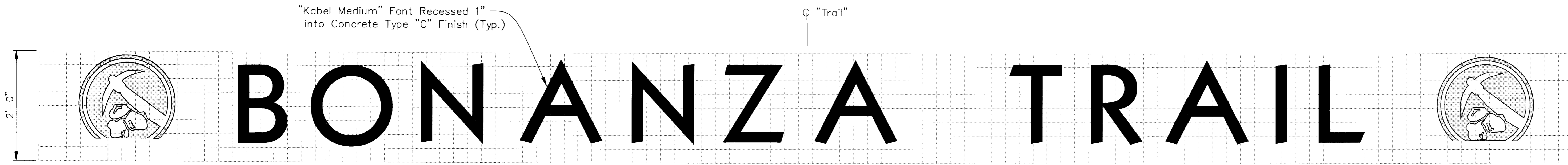
RUSTICATION DETAIL



SECTION ①



DETAIL "C"



BONANZA TRAIL LOGO

REVISIONS		DEPARTMENT OF PUBLIC WORKS	
NO.	DATE:	ENGINEERING DESIGN SECTION	
		CITY ENGINEER: JORGE CERVANTES, P.E.	
		PROGRAM MANAGER: MARK SORENSEN, P.E.	
		DESIGNED BY: CS	
		DRAWN BY: CG	
		CHECKED BY:	
		HORIZONTAL SCALE: N/A	
		VERTICAL SCALE: N/A	
		DATE: 1/2008	
		FDR Engineering, Inc.	
		CITY OF LAS VEGAS, NEVADA	
TITLE: TENAYA WAY OVERPASS AT SUMMERLIN PKWY H-2858		SHEET: AESTHETIC TREATMENT DETAILS	
PROFESSIONAL SEAL: CRAIG W. SMART, CIVIL, Exp. 1-22-08		Sheet B-29	
		72 of 96	
		DRAWING NO. 1074452	

P:\Tenaya\Sheets\B-29.dwg 01/16/08 9:28am aabdo

109515