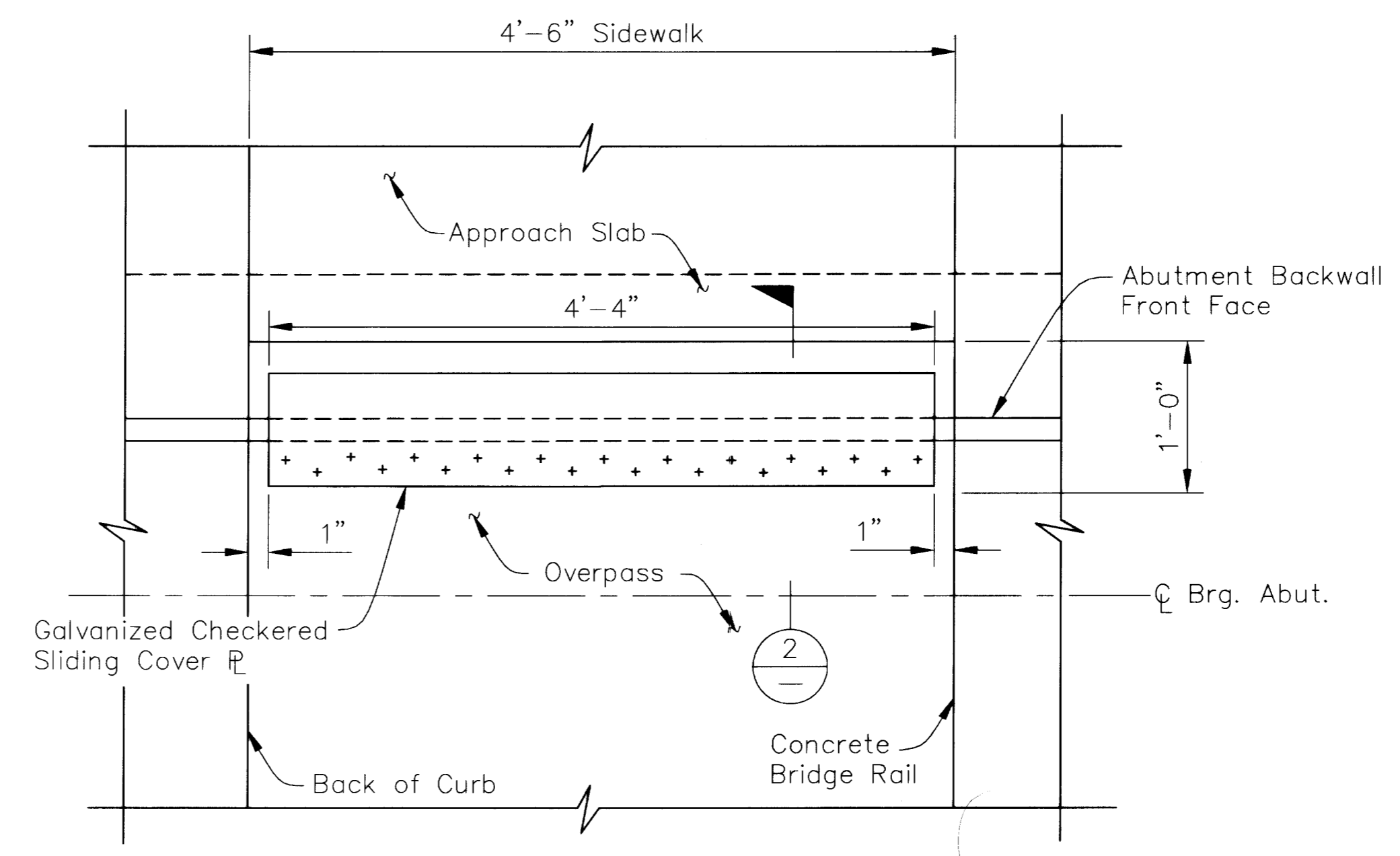
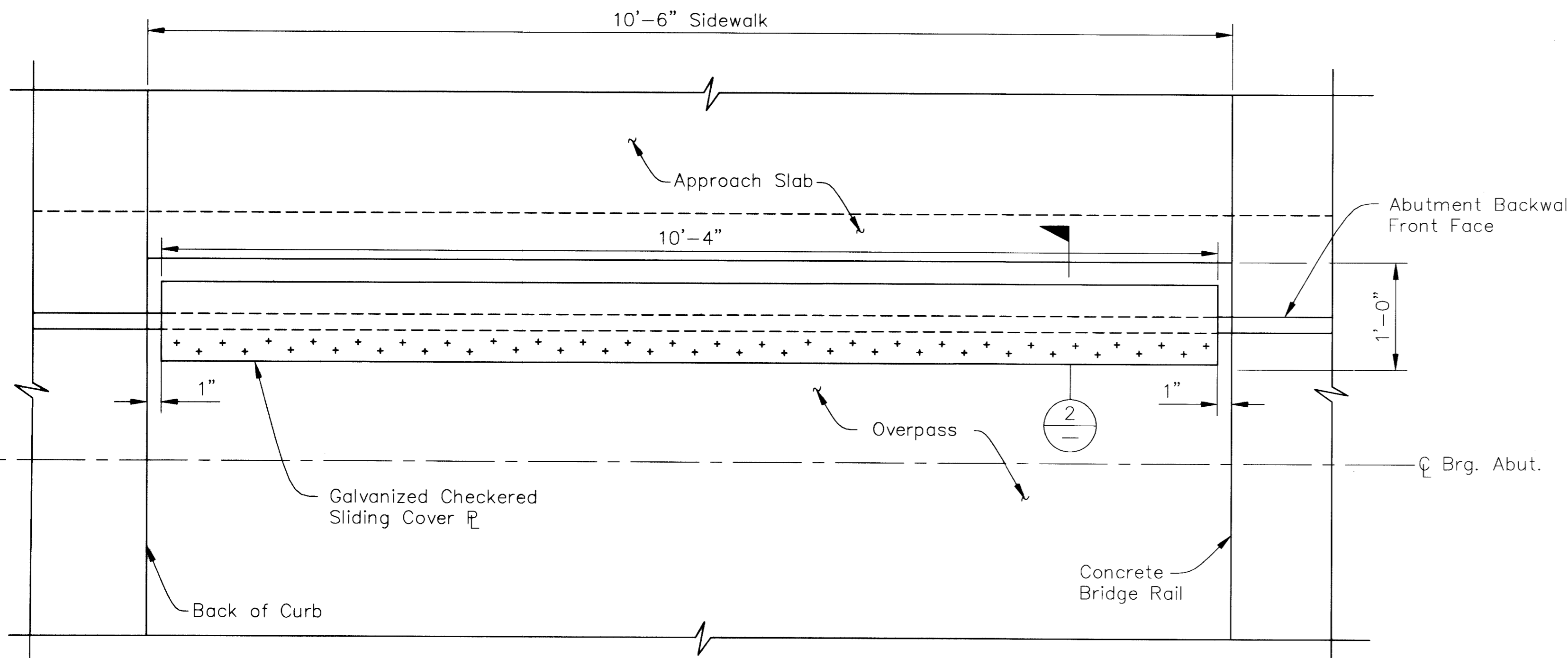


SECTION 1

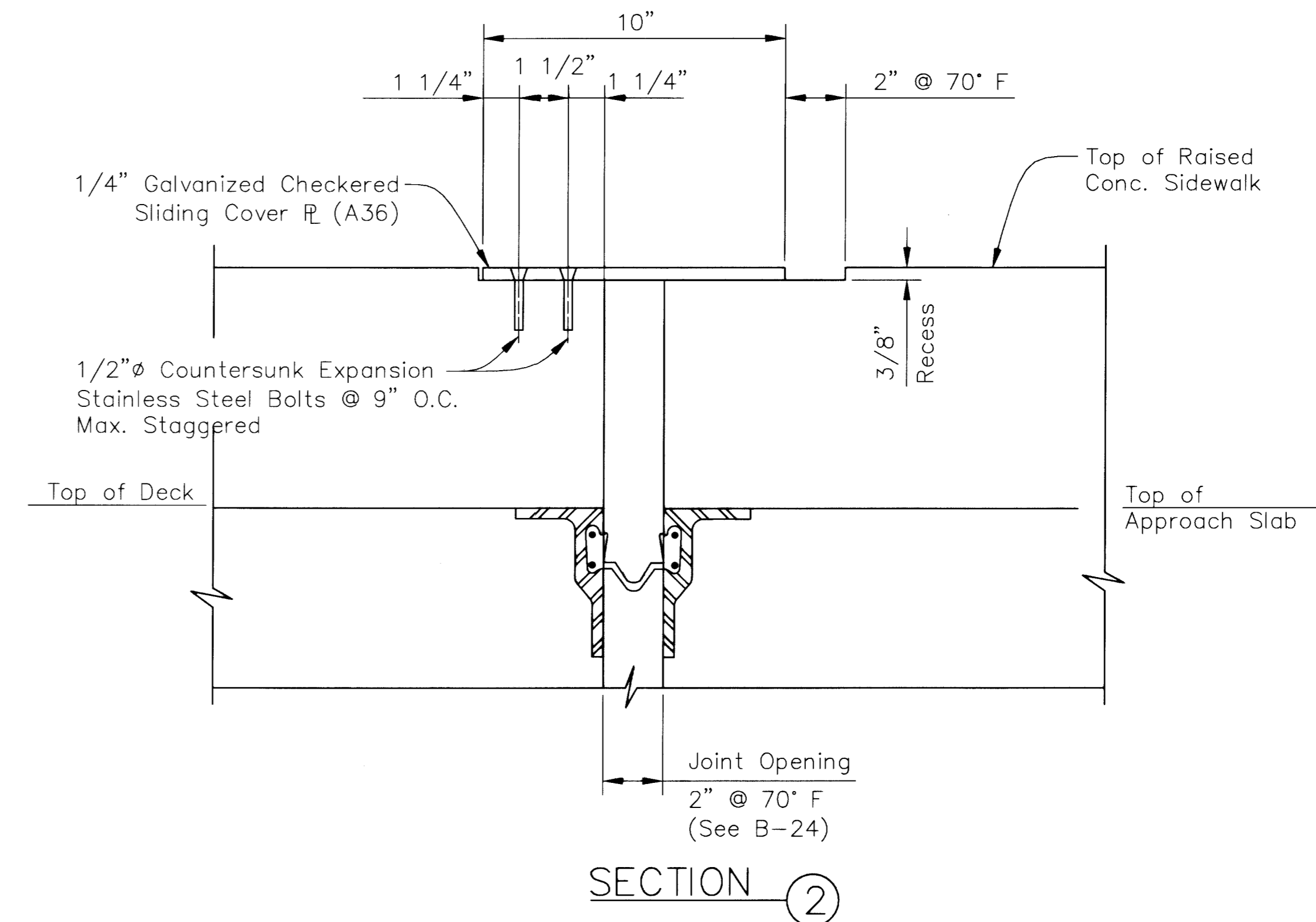
Note: Expansion coupling for conduits to be provided by the contractor @ the expansion joints. No direct payment will be made.



PLAN - COVER PLATE
Abut. 1 (SW Corner), Abut. 2 (NW Corner)



PLAN - COVER PLATE
Abut. 1 (SE Corner), Abut. 2 (NE Corner)



SECTION 2

NO.	DATE	DESCRIPTION

DEPARTMENT OF PUBLIC WORKS
ENGINEERING DESIGN SECTION

CITY ENGINEER: JORGE CERVANTES, P.E.
PROGRAM MANAGER: MARK SORENSEN, P.E.

DESIGNED BY: MP
DRAWN BY: CG
CHECKED BY: CS

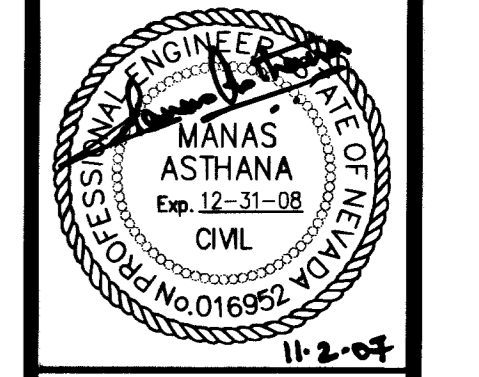
HORIZONTAL SCALE: N/A
VERTICAL SCALE: N/A
DATE: 10/2007

FDR Engineering, Inc.

TENAYA WAY OVERPASS
AT SUMMERLIN PKWY H-2858

BRIDGE RAIL
AND SIDEWALK DETAILS

TITLE: SHEET:



Sheet
B-26
63 of 96
DRAWING NO.
107Y4452

P:\Tenaya\Sheets\B-26.dwg 10/18/07 3:49pm abdo

109511