

NOTE:
JOINT TRENCH WITH NEVADA ENERGY WHERE APPLICABLE.

NOTE:
JOINT TRENCH WITH NEVADA ENERGY WHERE APPLICABLE.

NOTE:
JOINT TRENCH WITH NEVADA ENERGY WHERE APPLICABLE.

NOTE:
JOINT TRENCH WITH NEVADA ENERGY WHERE APPLICABLE.

- CONSTRUCTION NOTES:**
- 1 LOCATE ALL UNDERGROUND UTILITIES BEFORE DIGGING. 1-800-227-2600
 - 2 INSTALL PULL BOXES AT EXISTING FINISH GRADE.
 - 3 MAINTAIN 18" MINIMUM COVER OVER DUCT IN JIBT BEHIND SIDEWALK.
 - 4 MAINTAIN 36" MINIMUM COVER OVER DUCT UNDER PROPOSED SIDEWALK.
 - 5 MAINTAIN 36" MINIMUM COVER OVER DUCT UNDER STREET.
 - 6 COMPACT BACKFILL IN THE STREET TO 92% AND COMPLY TO ALL CITY OF LAS VEGAS / COUNTY STANDARDS 503 OR 504.1
 - 7 PULL BOX - 15-3/4" x 25-1/4" x 12" OR 22-1/4" x 35-1/4" x 12"
 - 8 CONDUIT - PVC SCH 40
 - 9 REMOVE ONE SECTION OF SIDEWALK WHERE REQUIRED.
 - 10 PLACE TV PEDESTAL AT LOCATION SHOWN, TV-2400, CPH-3230, 1730 OR 2000 AS NOTED.
 - 11 REPLACE SIDEWALK AT EXISTING FINISH GRADE WHERE REQUIRED.
 - 12 BURE UNDER ALL CROSS GUTTERS
 - 13 ALL CUTS SHALL BE PER ESTABLISHED RTC GUIDELINES PER 500AL,AT,BL,BT

DISCLAIMER NOTE

UTILITY LOCATIONS SHOWN HEREON ARE APPROXIMATE ONLY. IT SHALL BE THE CONTRACTOR'S RESPONSIBILITY TO DETERMINE THE EXACT HORIZONTAL AND VERTICAL LOCATION OF ALL EXISTING UNDERGROUND AND OVERHEAD UTILITIES PRIOR TO COMMENCING CONSTRUCTION. NO REPRESENTATION IS MADE THAT ALL EXISTING UTILITIES ARE SHOWN HEREON. THE ENGINEER ASSUMES NO RESPONSIBILITY FOR UTILITIES NOT SHOWN OR UTILITIES NOT SHOWN IN THEIR PROPER LOCATION.

Avoid cutting underground utility lines. It's costly.

Call before you Dig OR 1-800-227-2600 UNDERGROUND SERVICE (USA)

Avoid overhead power line contact

Call before you OVERHEAD

1-702-227-2929

NEVADA POWER ENVIRONMENT AND SAFETY SERVICES DEPARTMENT

Avoid hitting underground traffic signal system and street light system conduits. It's costly.

Call before you DO UNDERGROUND before you Undergound

1-702-455-7511 CLARK COUNTY TRAFFIC OPERATIONS AND 1-702-432-5300 LAS VEGAS AREA COMPUTERIZED TRAFFIC SYSTEM

LEGEND: OTHER ITEMS WILL BE CALLED OUT

1	RAIR X'- S.W. SLAB(S) OR POTHOLE	20	C-DIRT TRENCH-INSTALL
2	INSTALL NEW B-24 PULL BOX (21 3/4"x23 1/4"x12")	21	C- ASPHALT/STREET TRENCH-INSTALL
2P	EXISTING B-24 PULL BOX (21 3/4"x23 1/4"x12")	24	X- EXISTING CATV CONDUIT(S)
3	INSTALL NEW B-36 PULL BOX (17"x30"x24")	25	B- PROPOSED BORE UNDER ASPHALT AND/OR CONCRETE
3P	EXISTING B-36 PULL BOX (17"x30"x24")	26	B- PROPOSED BORE UNDER ASPHALT AND/OR CONCRETE
4	INSTALL NEW CHRISTY VAULT (17"x30"x36") OR (17"x30"x42")	27	B- PROPOSED BORE UNDER CURB & GUTTER OR VALLEY GUTTER
4P	EXISTING CHRISTY VAULT (17"x30"x36") OR (17"x30"x42")	28	B- PROPOSED BORE UNDER CURB & GUTTER OR VALLEY GUTTER
5	INSTALL NEW T-200 CATV VAULT (30"x48"x36")	29	RIGHT-OF-WAY LINE
5P	EXISTING T-200 CATV VAULT (30"x48"x36")	30	LOT/PROPERTY LINE
6	INSTALL NEW T-400 CATV VAULT (36"x60"x36")	31	BACK OF CURB
6P	EXISTING T-400 CATV VAULT (36"x60"x36")	32	EDGE OF PAVEMENT
7	INSTALL NEW T-600 CATV VAULT (36"x84"x48")	33	EXISTING TWO INCH (2") PVC CONDUIT
7P	EXISTING T-600 CATV VAULT (36"x84"x48")	34	PROPOSED ONE INCH (1") PVC CONDUIT UNLESS OTHERWISE NOTED
8	INSTALL NEW CATV PEDESTAL	35	STUB AND CAP BEYOND IMPROVEMENT LIMITS
8P	EXISTING CATV PEDESTAL	36	PROPOSED OVERHEAD INSTALL FIBER OPTIC CABLE OR COAX
9	EXISTING OR PROPOSED CATV PEDESTAL 1730	37	EXISTING TELCO POLE
10	EXISTING OR PROPOSED CATV PEDESTAL 1230	38	EXISTING POWER COMPANY POLE
11	EXISTING EMBARQ PULL BOX	39	EXISTING JOINT POLE
12	EXISTING NEVADA POWER PULL BOX	40	JOINT POLE WITH A TRANSFORMER
13	EXISTING TELCO MANHOLE	41	EXISTING NEVADA POWER TRANSFORMER/TRANSFORMER PAD
14	EXISTING 3'X5'X4' TELCO PULL BOX	42	POWER PULL BOX
15	EXISTING 2'-6"X4'X3' TELCO	43	COX POWER SUPPLY (48"x24"x52")
16	EXISTING 17"x30"x29 1/2" TELCO UTILITY BOX	44	EXISTING NEVADA POWER TRANSFORMER DETAIL (SEE CONTRACTOR'S DETAIL FOR COAXIAL CABLE ID TELCO)
17	EXISTING 9 5/8"X16"X24" TELCO SERVICE BOX	45	INTERSECTING CENTERLINE
18	PROPOSED MEDIUM LOCKBOX	46	HHH RAILROAD
19	PROPOSED LARGE LOCKBOX	47	EXISTING FACILITIES TO BE REMOVED OR ABANDONED
20	INSTALL RHINO CABINET	48	RISER UP EXISTING NPC/EMBARQ POLE
21	EXISTING UTILITY EASEMENT AREA(S) PER OWNER'S DEDICATION	49	RISER DOWN EXISTING NPC/EMBARQ POLE

DRAFTING CONTACT: HOLLIS BERRY
PHONE: (702) 545-1673

TOTAL BORE	10'
TOTAL DIRT TRENCH	1257
TOTAL ASPHALT TRENCH	
TOTAL TRENCH	1257
SIDEWALK REMOVAL/REPAIR	
TOTAL S/W PANELS	2
TOTAL LINEAR FOOTAGE	10'

Approved for Construction

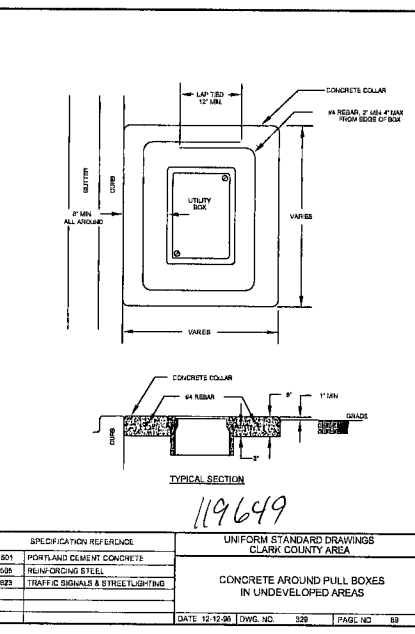
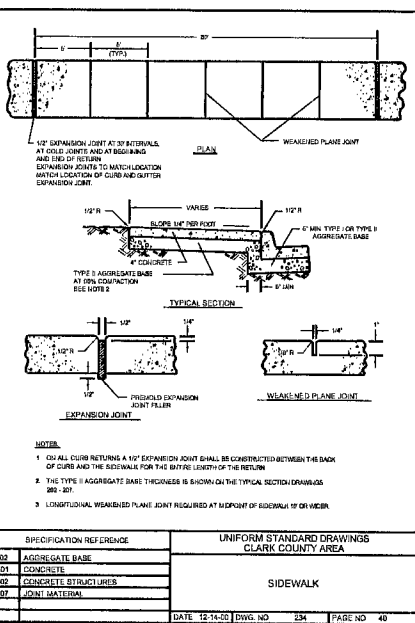
THIS APPROVAL IS FOR WORK IN CLV R/W OR CLV EASEMENTS ONLY. OBTAINING PERMISSIONS OR EASEMENTS FOR WORK SHOWN ON PRIVATE PROPERTY IS THE RESPONSIBILITY OF THE UTILITY.

[Signature] MAKE REVISIONS AS NOTED 9/30/09
APPROVAL DATE

PROJECT LOCATION/DESCRIPTION: TENAYA SUMMERLIN OVERPASS
AREA: CITY OF LAS VEGAS
APPROVED BY: Doney Villareal

DATE	BY	REVISIONS	APPROVAL	CONTRACTOR
9/24/09	HB	ADD 4-200 BOXES & 812' OF 2-3" CONDUITS		

W.O. # 4050509000MRPEROS
BY: HB
COX PERMIT # 6415-05



SEP 29 2009 # 35705 TENAYA OVERPASS @ SUMMERLIN