

FIRE HYDRANT LOCATION DETAIL

1. NO FIRE HYDRANT SHALL BE LOCATED WITHIN 6' OF ANY CURB RETURN, DRIVEWAY, POWER POLE, STREET LIGHT, OR ANY OTHER OBSTRUCTION.
2. FIRE HYDRANTS IN OPERATION PRIOR TO CONSTRUCTION PER CITY OF LAS VEGAS FIRE DEPARTMENT.

LAS VEGAS VALLEY WATER DISTRICT NOTES

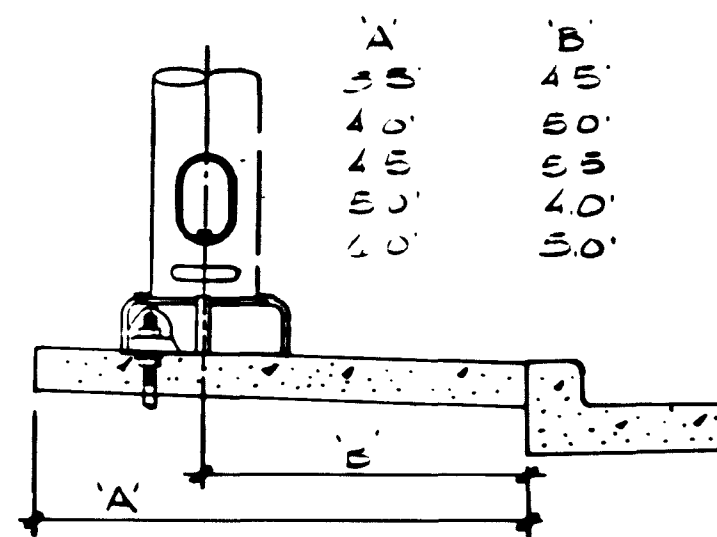
1. ALL WORK TO CONFORM TO LAS VEGAS VALLEY WATER DISTRICT STANDARD PLATES.
2. ALL WORK, EXCEPT AS NOTIFIED HEREON OR BY NOTE NO. 1, SHALL BE DONE IN ACCORDANCE WITH THE MOST CURRENT DRAFT OR EDITION OF UNIFORM STANDARD SPECIFICATIONS FOR PUBLIC WORKS CONSTRUCTION OFF-SITE IMPROVEMENTS, CLARK COUNTY AREA.
3. NOTICE TO BE GIVEN ENGINEERING DEPARTMENT OF THE LAS VEGAS VALLEY WATER DISTRICT 48 HOURS PRIOR TO ACTUAL CONSTRUCTION.
4. SERVICE SADDLES WILL BE REQUIRED ON ALL SERVICES 14" AND LARGER. TAPPED COLLARS ARE PERMITTED ON 1" AND SMALLER. DOUBLE TAP COLLARS ARE NOT PERMITTED.
5. ALL LINES TO BE PRESSURE TESTED TO 200 PSI.
6. DEFLECTION ANGLE SHALL NOT EXCEED 2% CROSSIES PER 13 FOOT SECTION OF PIPE FOR PIPE SIZES SMALLER THAN 14" AND 16".
7. ALL METERS SHALL BE LOCATED OUTSIDE OF DRIVEWAYS.
8. SERVICE LATERALS FOR LOTS WILL BE TAPPED ON EXISTING MAIN BY OWNER'S CONTRACTOR UNDER DIRECTION OF THE LAS VEGAS VALLEY WATER DISTRICT.
9. DETECTOR TAPES REQUIRED IN ACCORDANCE WITH STANDARD PLATE NO. 27 WHERE INDICATED AND AS FOLLOWS:
A. OVER ALL MAINS NOT INSTALLED AT 6 FEET FROM BACK OF CURB.
B. OVER ALL SERVICE LATERALS NOT INSTALLED AT RIGHT ANGLES TO MAINS.
10. ALL VALVE BOXES SHALL HAVE CONCRETE COLLARS AT SURFACE OF PAVED AREAS.
11. INSTALL SERVICE LATERALS PER LVVWD STD. PLATE 1 OR 1A.
12. AUTHORIZED FIRE HYDRANTS FOR THIS PROJECT ARE:
A. KENNEDY GUARDIAN
BY MUELLER A-23 CERTIFICATION
13. CALL BEFORE YOU DIG-1-800-277-2486.

STREET LIGHT NOTES

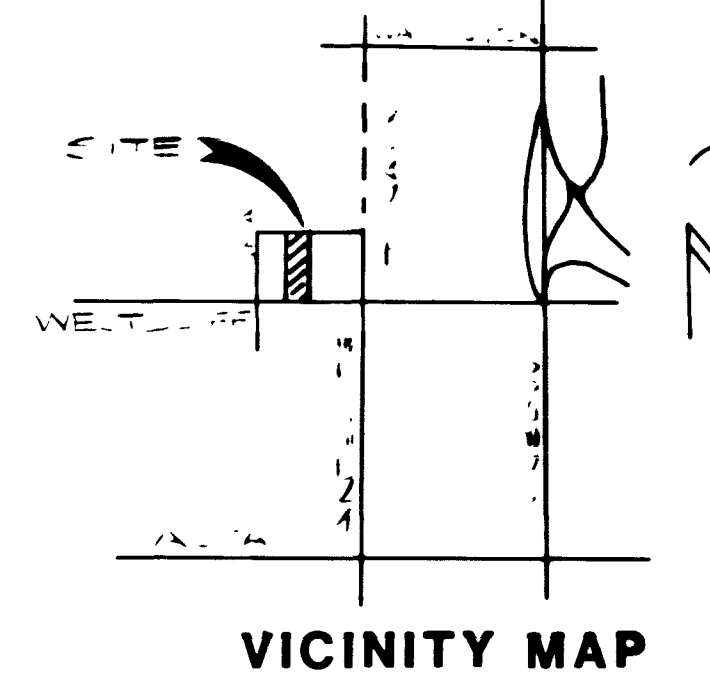
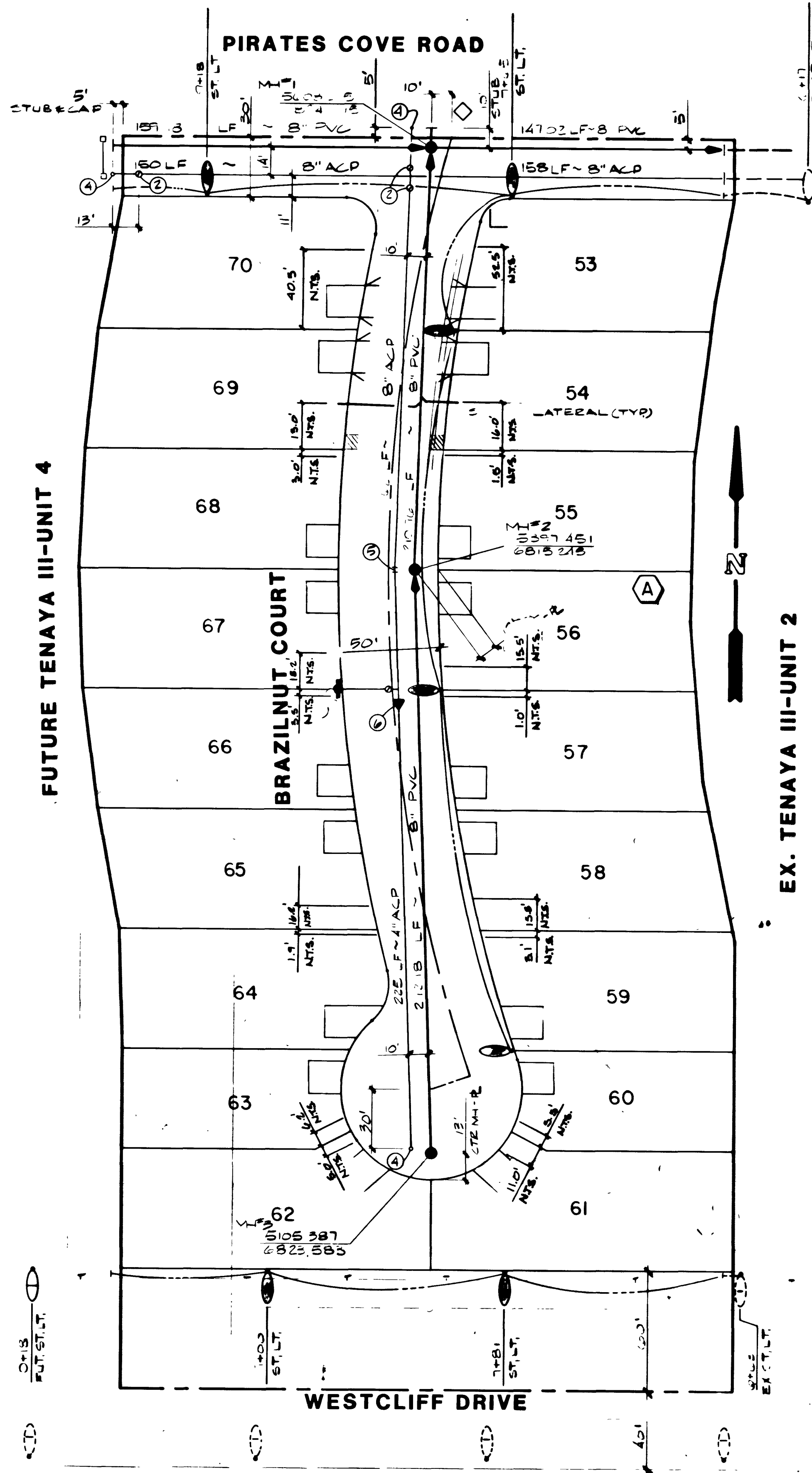
ALL CONSTRUCTION SHALL CONFORM TO THE LATEST ISSUE OF THE STANDARD DETAILS AND SPECIFICATIONS OF THE CITY OF LAS VEGAS, AND SHALL ALSO CONFORM TO THE UNIFORM STANDARD SPECIFICATIONS FOR PUBLIC WORKS CONSTRUCTION OF OFF-SITE IMPROVEMENTS, CLARK COUNTY AREA, 1978, UNLESS OTHERWISE NOTED.

GENERAL NOTES

1. BUILDING SERVICES SHALL COMPLY WITH WESTERN PLUMBING CODE AS TO SEPARATION DISTANCE.
2. ALL BUILDINGS TO BE SERVED INDIVIDUALLY AS PER SECTION 313 OF THE UNIFORM PLUMBING CODE.
3. CONTRACTOR SHALL FURNISH THE ENGINEER WITH AS-BUILT DRAWINGS SHOWING THE EXACT LOCATIONS OF ALL BUILDING CONNECTIONS.
4. CONCRETE COLLARS TO BE CONSTRUCTED AROUND ALL MANHOLES AND WATER VALVES.
5. CHISEL "S" OR "G" WHEREVER SEWER OR GAS LINES UNDER CURB.



UNDEVELOPED



LEGEND & QUANTITY ESTIMATE

SEWER	
• STD. MANHOLE	1 EA
• 8\"/>	

WATER	
○ FIRE HYDRANT	1 EA
○ 1\"/>	

STREET LIGHT	
○ 100 WHP ALL	2 EA
○ 100 WHP ALL	5 EA
○ 1\"/>	

SEWER LATERAL 'AS-BUILT' CERTIFICATION



9/29/87

Name of Plan: TENAYA III-UNIT 3

Water plan as shown will be acceptable. It is NOT approved for construction.

David Donnelly 10/86
LVVWD Date

Gregory Rogers for Steve Ferris 9/86
C.L.V. ELECTRICAL SUPERVISOR DATE

Gregory Rogers 9/86
C.L.V. ELECTRICAL COORDINATOR DATE

R. A. Anton 9-8-86
C.L.V. SANITATION SUPERVISOR DATE

R. P. P. 9/86
C.L.V. FIRE MARSHAL DATE

David A. Donnelly 10-28-86
C.L.V. CHIEF LAND DEVELOPMENT DATE

David A. Donnelly 9/86
L.V.V.W.D. DATE

David A. Donnelly 7/9/86
NEVADA POWER CO. DATE

UTILITY PLAN

TENAYA III-UNIT 3

NO. 3158-III-3

BY: **SCD**

DATE: 6-10-86

SCALE: 1"=40'

SHEET: **5**

OF 6 SHEETS



FIRE HYDRANT LOCATION

1. FIRE HYDRANT SHALL BE PLACED AT THE CORNER OF THE STREET.
2. FIRE HYDRANT SHALL BE PLACED AT THE CORNER OF THE STREET.
3. FIRE HYDRANT SHALL BE PLACED AT THE CORNER OF THE STREET.

1. ALL UTILITIES SHALL BE DEEPER THAN THE STREET.
2. ALL UTILITIES SHALL BE DEEPER THAN THE STREET.
3. ALL UTILITIES SHALL BE DEEPER THAN THE STREET.
4. ALL UTILITIES SHALL BE DEEPER THAN THE STREET.
5. ALL UTILITIES SHALL BE DEEPER THAN THE STREET.
6. ALL UTILITIES SHALL BE DEEPER THAN THE STREET.
7. ALL UTILITIES SHALL BE DEEPER THAN THE STREET.
8. ALL UTILITIES SHALL BE DEEPER THAN THE STREET.
9. ALL UTILITIES SHALL BE DEEPER THAN THE STREET.
10. ALL UTILITIES SHALL BE DEEPER THAN THE STREET.

STREET LIGHT NOTES

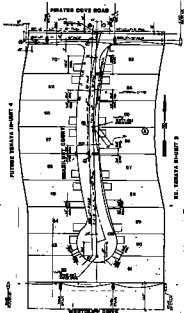
ALL STREET LIGHTS SHALL BE PLACED AT THE CORNER OF THE STREET. ALL STREET LIGHTS SHALL BE PLACED AT THE CORNER OF THE STREET. ALL STREET LIGHTS SHALL BE PLACED AT THE CORNER OF THE STREET.

GENERAL NOTES

1. ALL UTILITIES SHALL BE DEEPER THAN THE STREET.
2. ALL UTILITIES SHALL BE DEEPER THAN THE STREET.
3. ALL UTILITIES SHALL BE DEEPER THAN THE STREET.
4. ALL UTILITIES SHALL BE DEEPER THAN THE STREET.
5. ALL UTILITIES SHALL BE DEEPER THAN THE STREET.



ENVIRONMENT



LEGEND & QUANTITY ESTIMATE

ITEM	QUANTITY	UNIT	ESTIMATE
1. 4" PVC WATER MAIN	100	LINEAL FEET	100.00
2. 4" PVC SANITARY MAIN	100	LINEAL FEET	100.00
3. 4" PVC SEWER MAIN	100	LINEAL FEET	100.00
4. 4" PVC STORM MAIN	100	LINEAL FEET	100.00
5. 4" PVC WATER MAIN	100	LINEAL FEET	100.00
6. 4" PVC SANITARY MAIN	100	LINEAL FEET	100.00
7. 4" PVC SEWER MAIN	100	LINEAL FEET	100.00
8. 4" PVC STORM MAIN	100	LINEAL FEET	100.00
9. 4" PVC WATER MAIN	100	LINEAL FEET	100.00
10. 4" PVC SANITARY MAIN	100	LINEAL FEET	100.00
11. 4" PVC SEWER MAIN	100	LINEAL FEET	100.00
12. 4" PVC STORM MAIN	100	LINEAL FEET	100.00

MINIMUM LATERAL "AS-BUILT" CLEARANCE



STREET LIGHT

ITEM	QUANTITY	UNIT	ESTIMATE
1. 4" PVC WATER MAIN	100	LINEAL FEET	100.00
2. 4" PVC SANITARY MAIN	100	LINEAL FEET	100.00
3. 4" PVC SEWER MAIN	100	LINEAL FEET	100.00
4. 4" PVC STORM MAIN	100	LINEAL FEET	100.00
5. 4" PVC WATER MAIN	100	LINEAL FEET	100.00
6. 4" PVC SANITARY MAIN	100	LINEAL FEET	100.00
7. 4" PVC SEWER MAIN	100	LINEAL FEET	100.00
8. 4" PVC STORM MAIN	100	LINEAL FEET	100.00

DATE	10/10/2010
BY	10/10/2010
DATE	10/10/2010
BY	10/10/2010
DATE	10/10/2010
BY	10/10/2010
DATE	10/10/2010
BY	10/10/2010
DATE	10/10/2010
BY	10/10/2010

UTILITY PLAN

TENAYA II-UNIT 3

DATE: 10/10/2010

BY: 10/10/2010

DATE: 10/10/2010

BY: 10/10/2010

DATE: 10/10/2010

BY: 10/10/2010

DATE: 10/10/2010

BY: 10/10/2010

DATE: 10/10/2010

BY: 10/10/2010