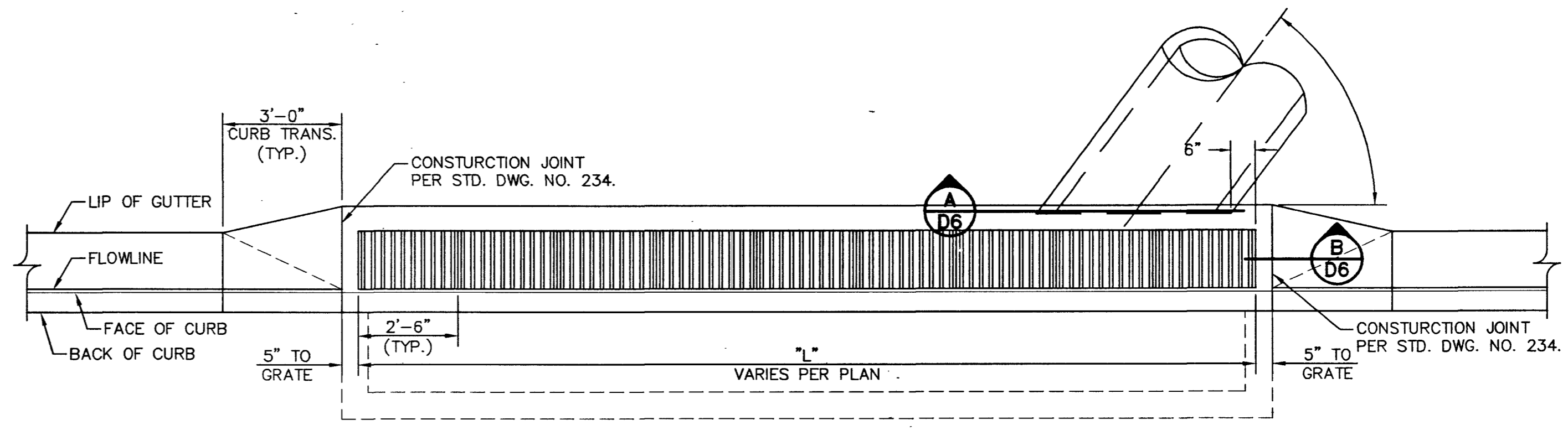
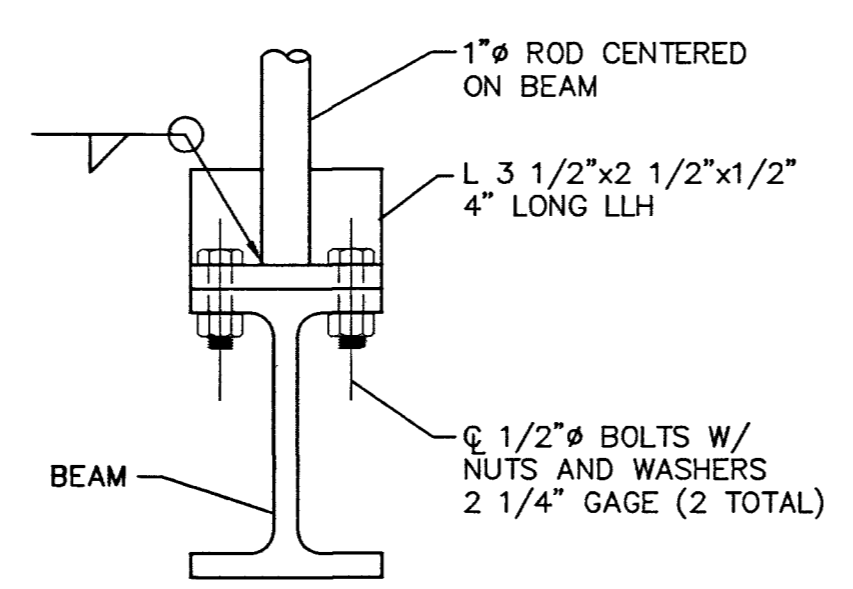


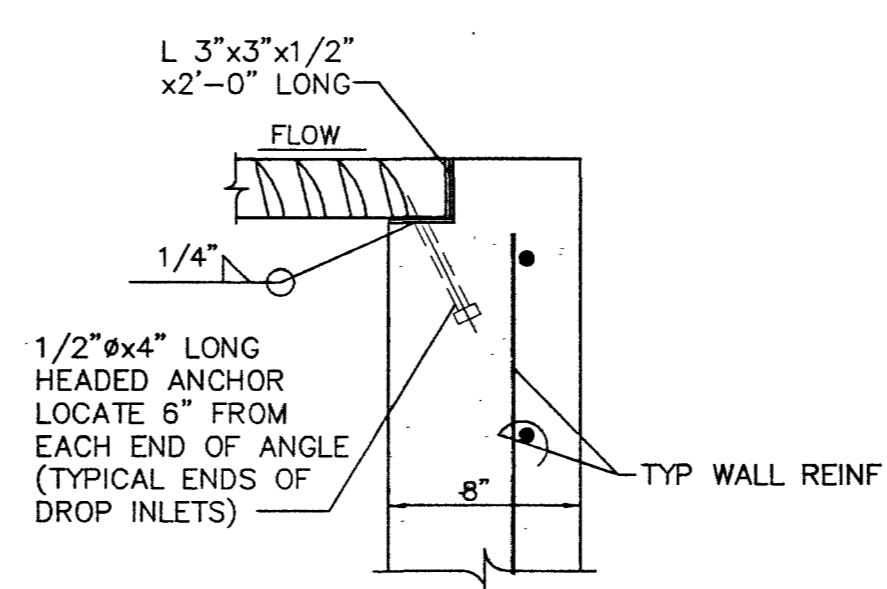
SECTION "A"
SCALE 3/4"=1'



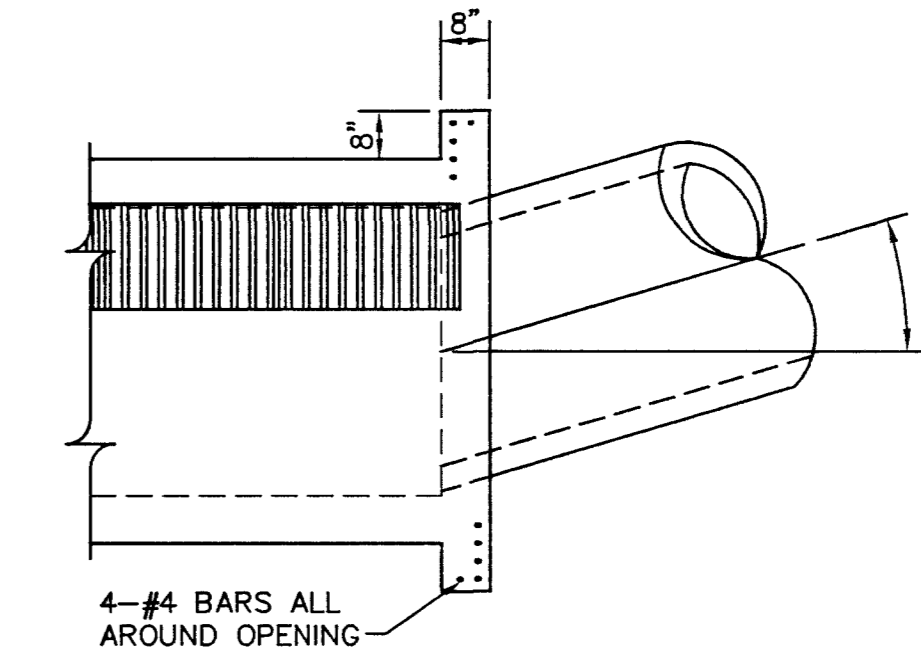
DROP INLET LAYOUT PLAN
SCALE 3/8"=1'



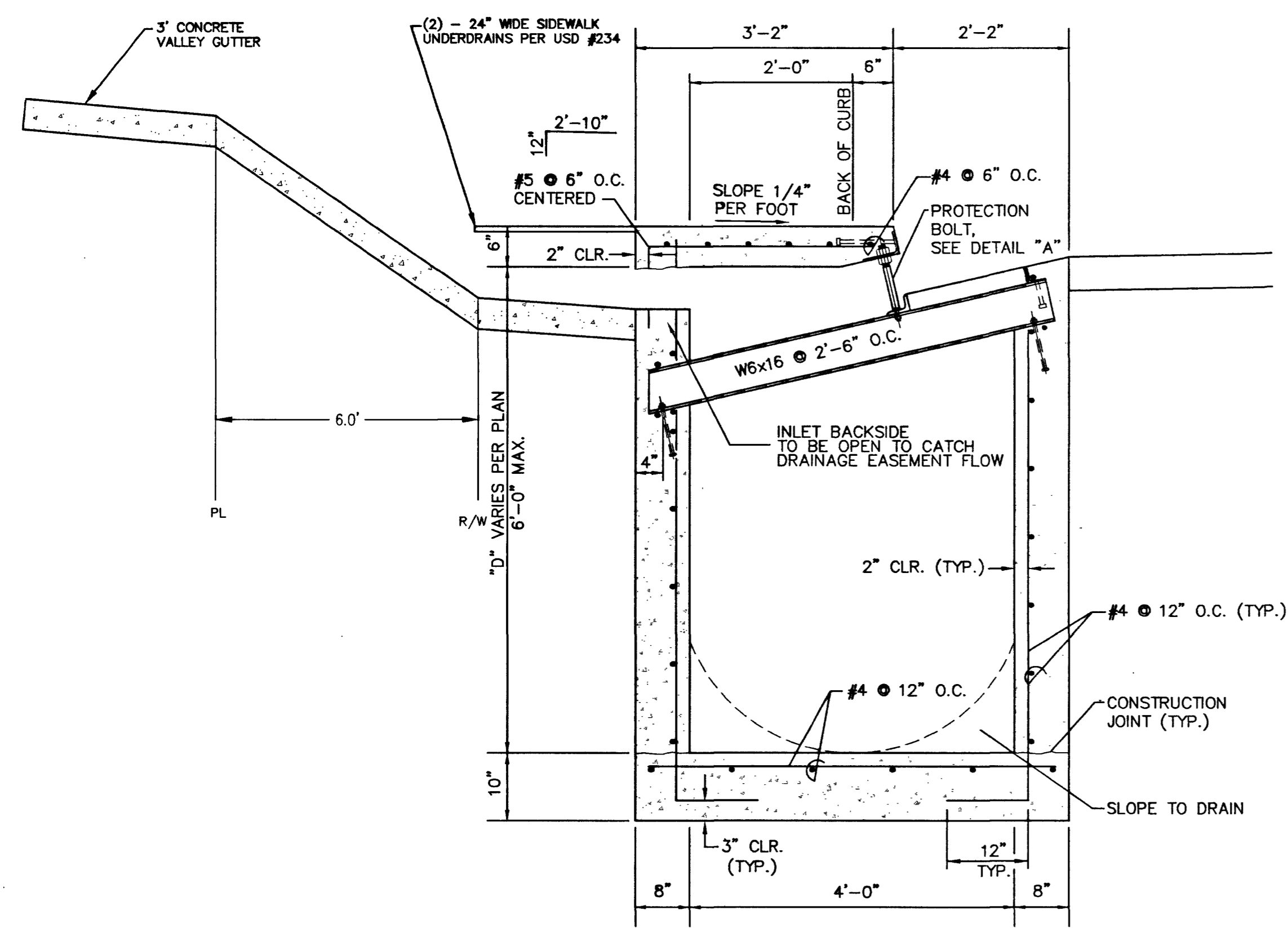
DETAIL "B"
SCALE 3"=1'



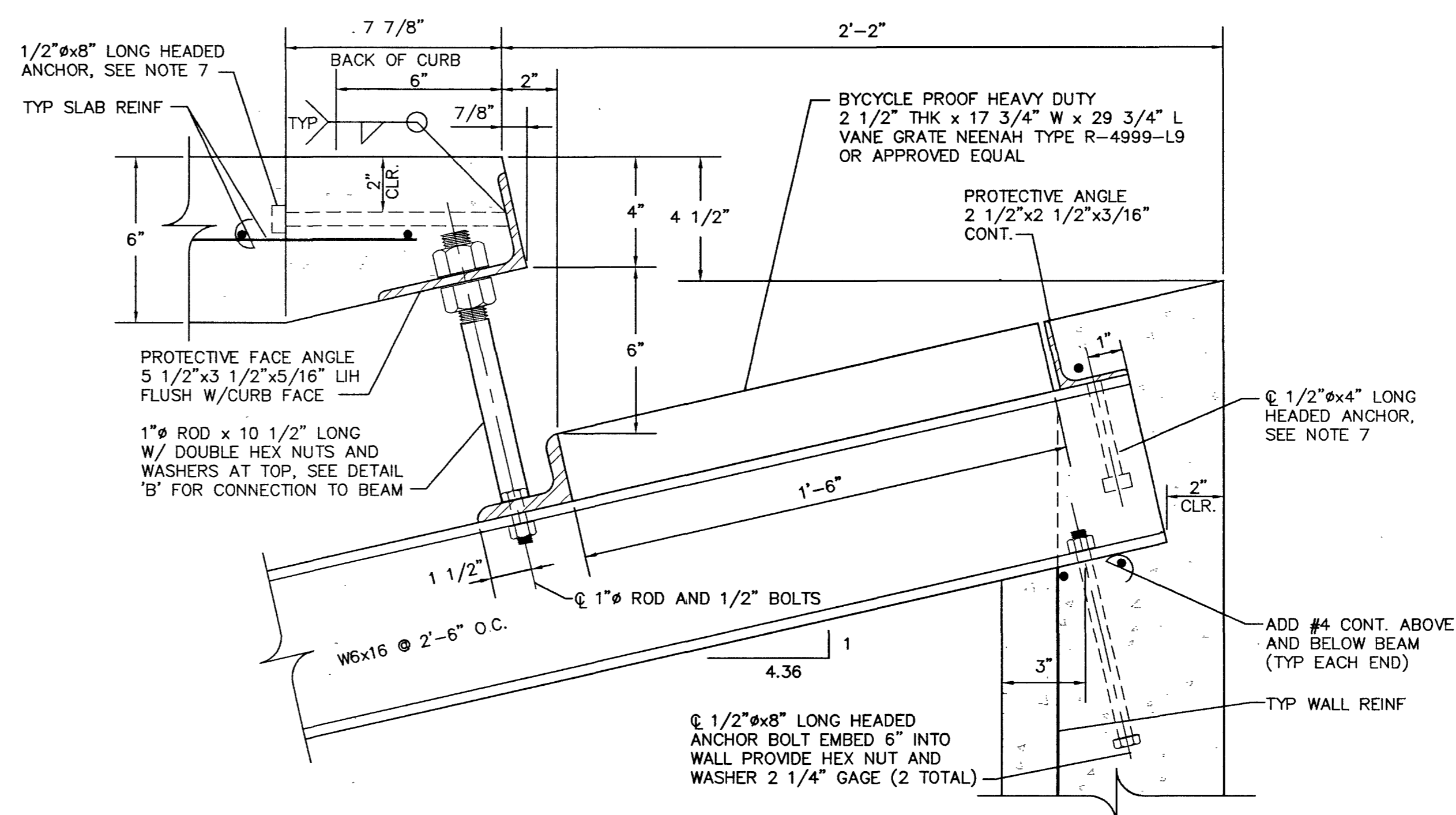
SECTION "B"
SCALE 1-1/2"=1'



ALTERNATE CONNECTION DETAIL
SCALE 3/8"=1'



TYPE "CM2" DROP INLET SECTION
NOT TO SCALE



PROTECTIVE FACE & ROD - DETAIL "A"
SCALE 3"=1'

- NOTES:**
1. ALL EXPOSED METALS SHALL BE HOT DIP GALVANIZED AFTER FABRICATION.
 2. PROVIDE 1/2" (MIN.) CLEARANCE ALL AROUND THE STEEL BEAM, DRY PACK AFTER INSTALLATION.
 3. WHEN REQUIRED BY LENGTH OF OPENING, PLATE ANGLE MAYBE DELIVERED IN SECTIONS AND BUTT WELDED IN PLACE.
 4. ALL GALVANIZING DAMAGED BY WELDING SHALL RECEIVE TWO COATS OF GALVALLOY OR EQUAL.
 5. CONCRETE SHALL BE MODIFIED CLASS DA, SEE SPECIAL PROVISIONS SECTION 501.
 6. SEE GENERAL NOTES FOR STRUCTURES ON DWG D8.
 7. ANGLE ANCHORS SHALL BE EMBEDDED MIDPOINT IN EACH ENDWALL AND EVENLY SPACED. (MAXIMUM SPACING OF 2')

Call Two Working Days Before You Dig!

Dig Safe. Dig Safe.
1-800-227-2600

NO.	DESCRIPTION	DATE	BY
1	REMOVED STORM DRAIN CLEAR OUT DETAIL		
REVISIONS			
<p>TROPHY HOMES 2451 SOUTH BUFFALO DRIVE, SUITE 112 LAS VEGAS, NEVADA 89117 702-255-2135 FAX: 702-255-0451</p> <p>TANEY ENGINEERING 4445 S JONES BLVD, SUITE #1 LAS VEGAS, NV 89103 (702) 302-8844 FAX: (702) 302-5233</p>			
GRADING DETAILS & CROSS SECTIONS			
<p>TENAYA & OAKLEY A PLANNED UNIT DEVELOPMENT</p>			
DATE:	03-10-02		
SCALE:	NO SCALE		
JOB NO.:	TRP-01-003		
DESIGNED BY:	RDC		
DRAWN BY:	RDC		
SHEET NAME:	GD2		
SHEET:	5 OF 11		

FILE NAME: TRP02IMP.DWG

46848 DL 49972