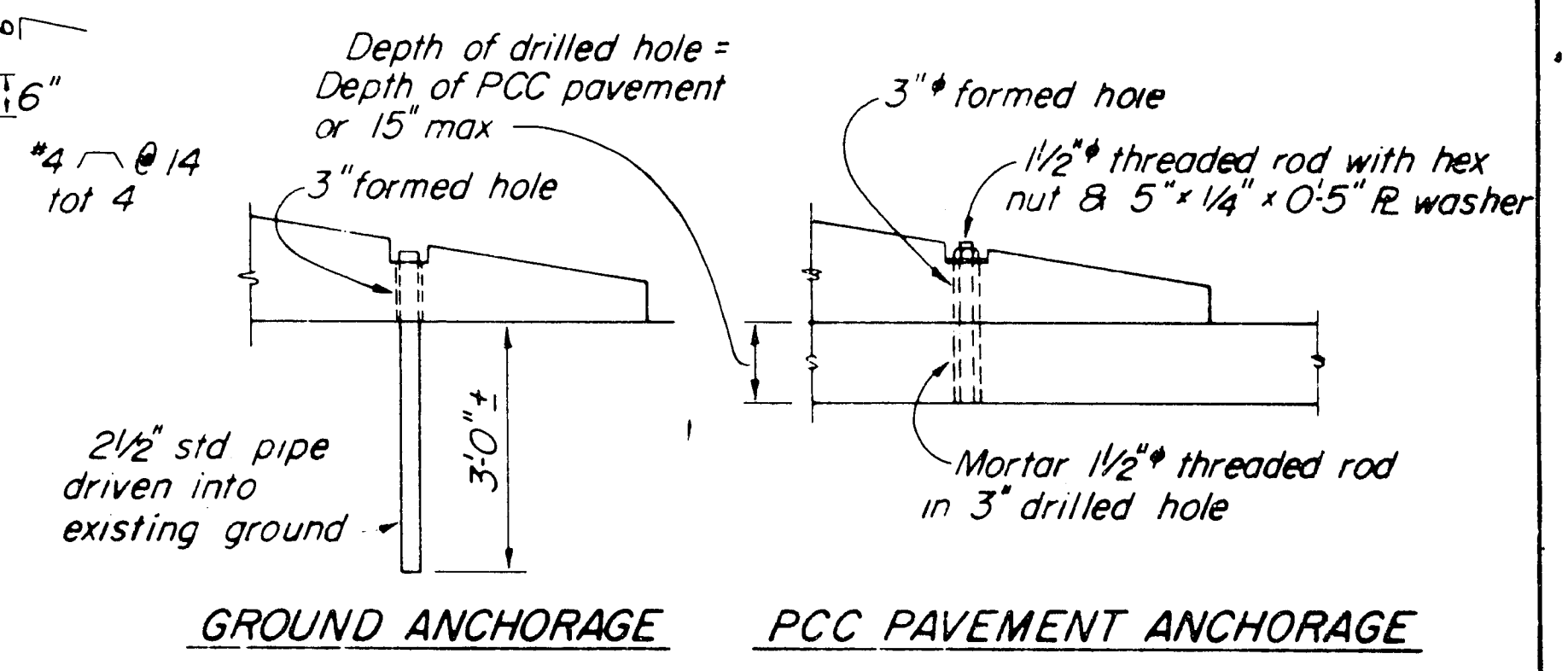
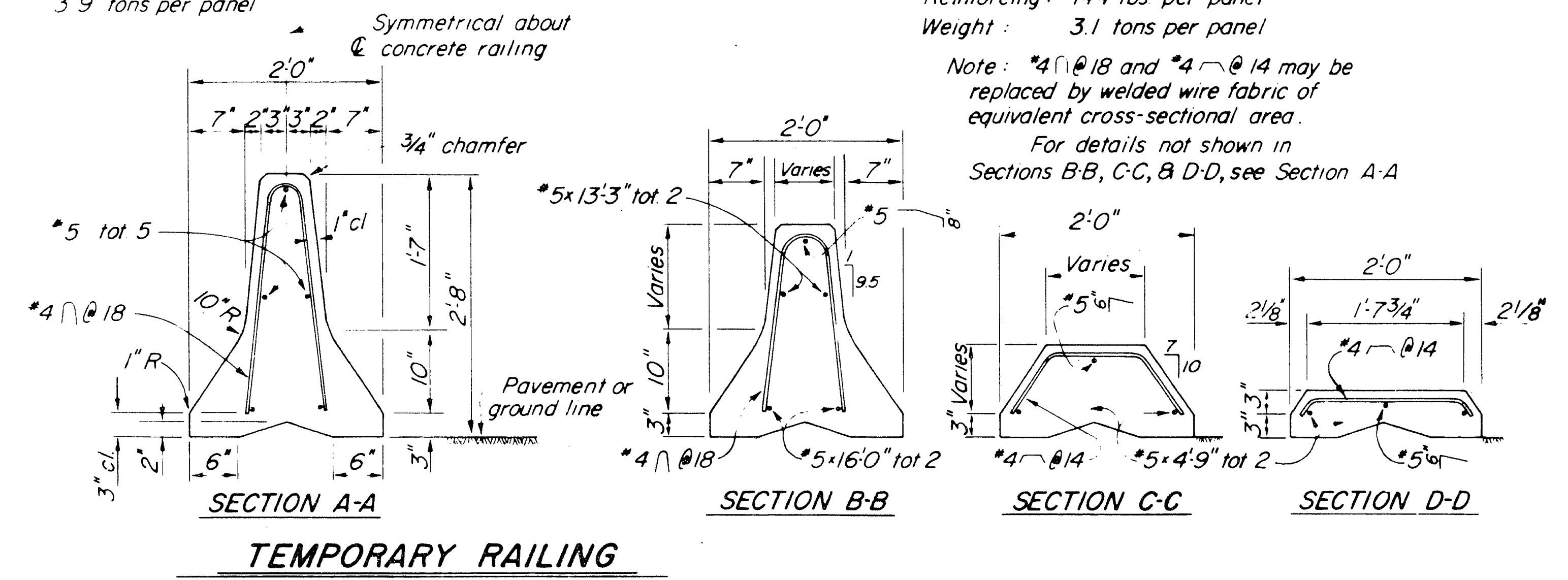
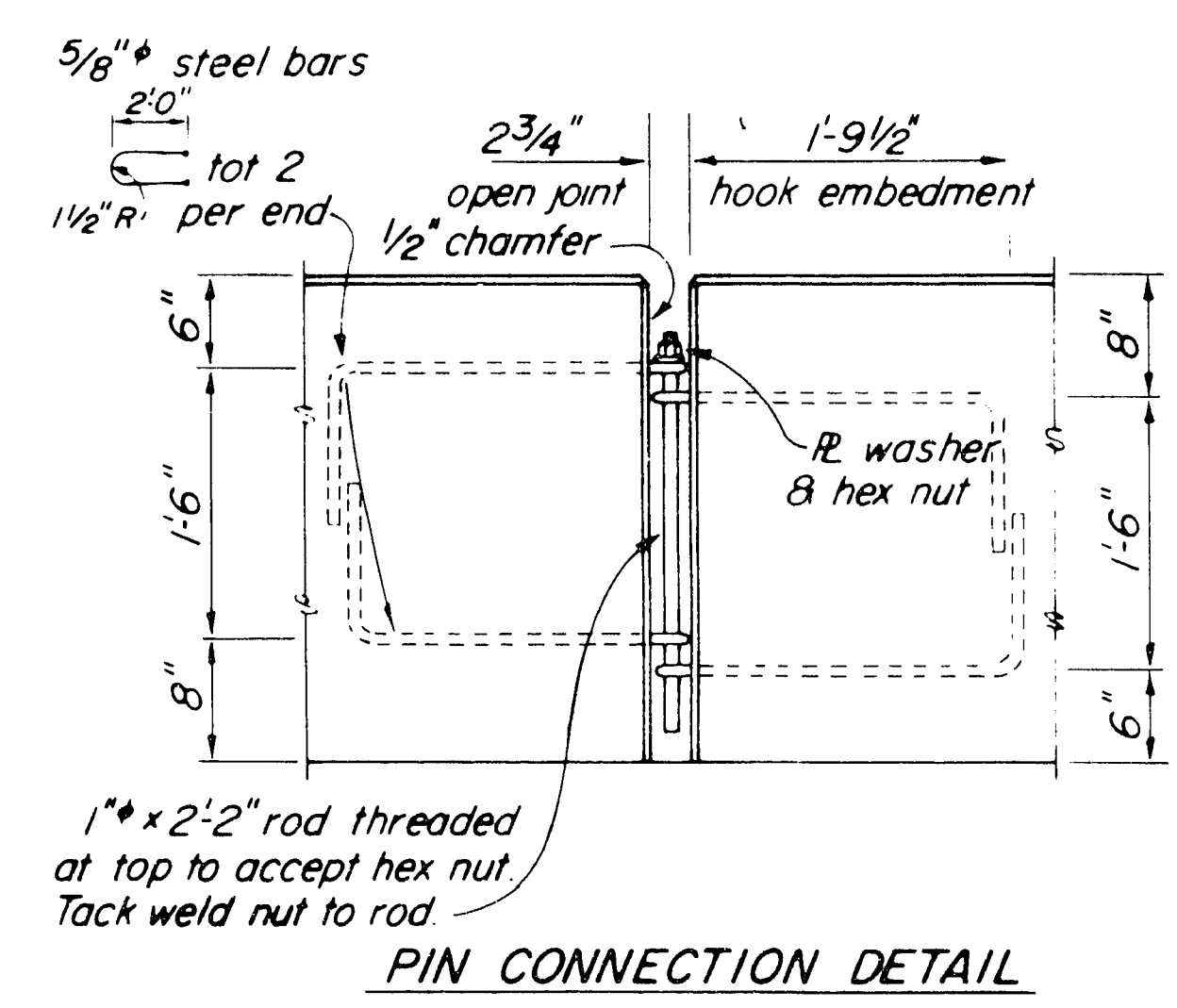
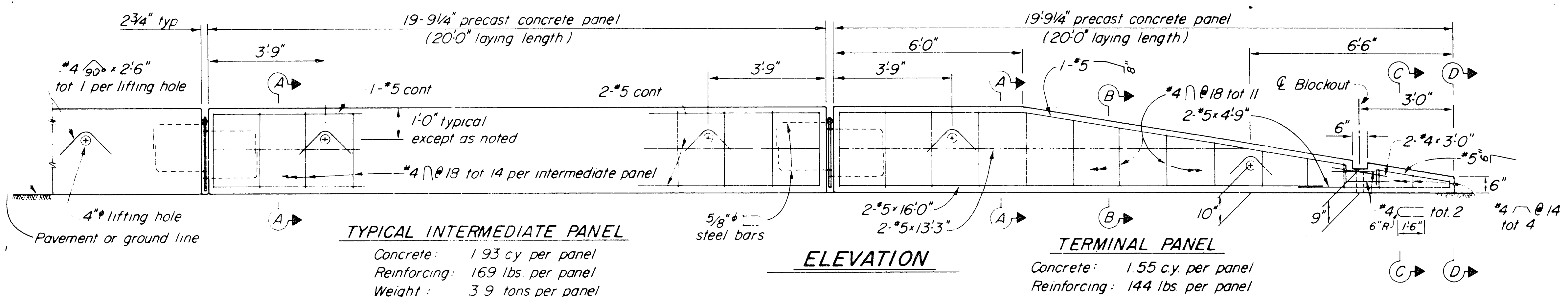
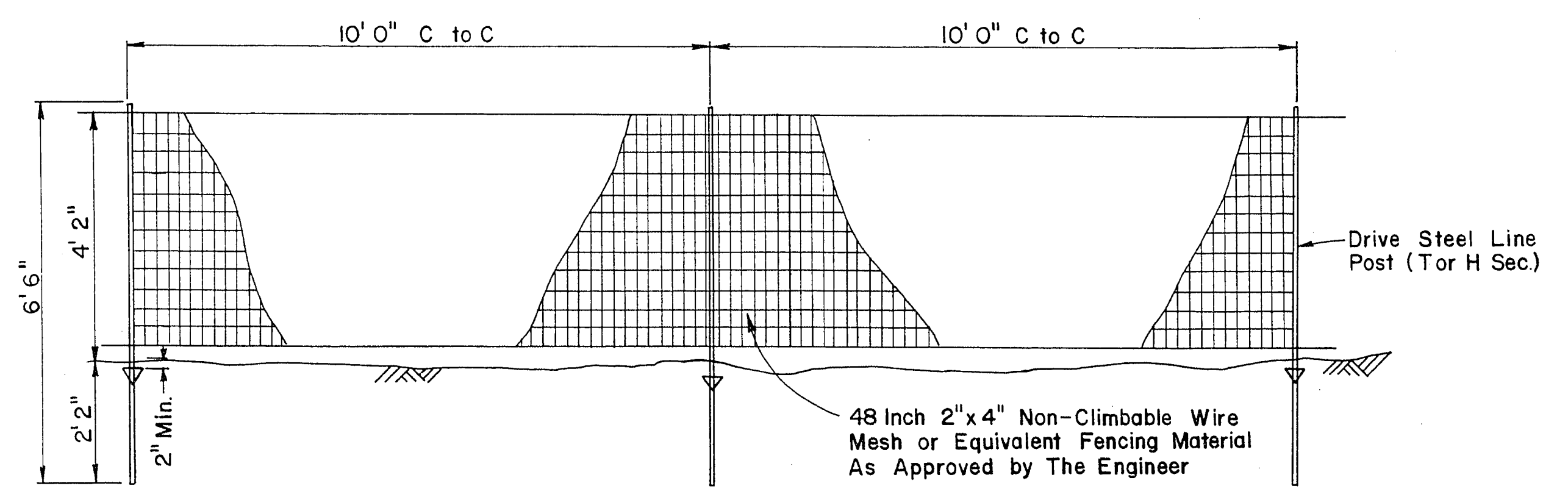


FED. RD. REG. NO.	STATE	PROJECT NO.	COUNTY	SHEET NO.
9	NEVADA		CLARK	



- GENERAL NOTES:**
- All bolts to have cut washer unless otherwise stated.
 - Alternative details for lifting the precast concrete panels of the Temporary Railing may be submitted by the Contractor for the Engineer's approval.

APPROVED FOR
 STATE OF NEVADA
 ENGINEER APR 2 1976



STATE OF NEVADA
 DEPARTMENT OF HIGHWAYS

TEMPORARY BARRIER RAILING AND FENCING