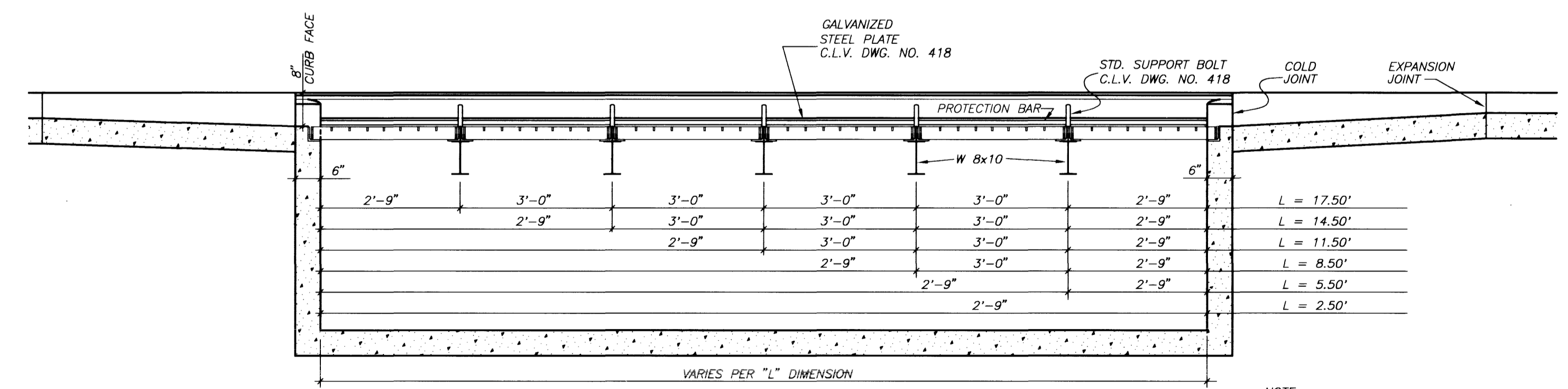
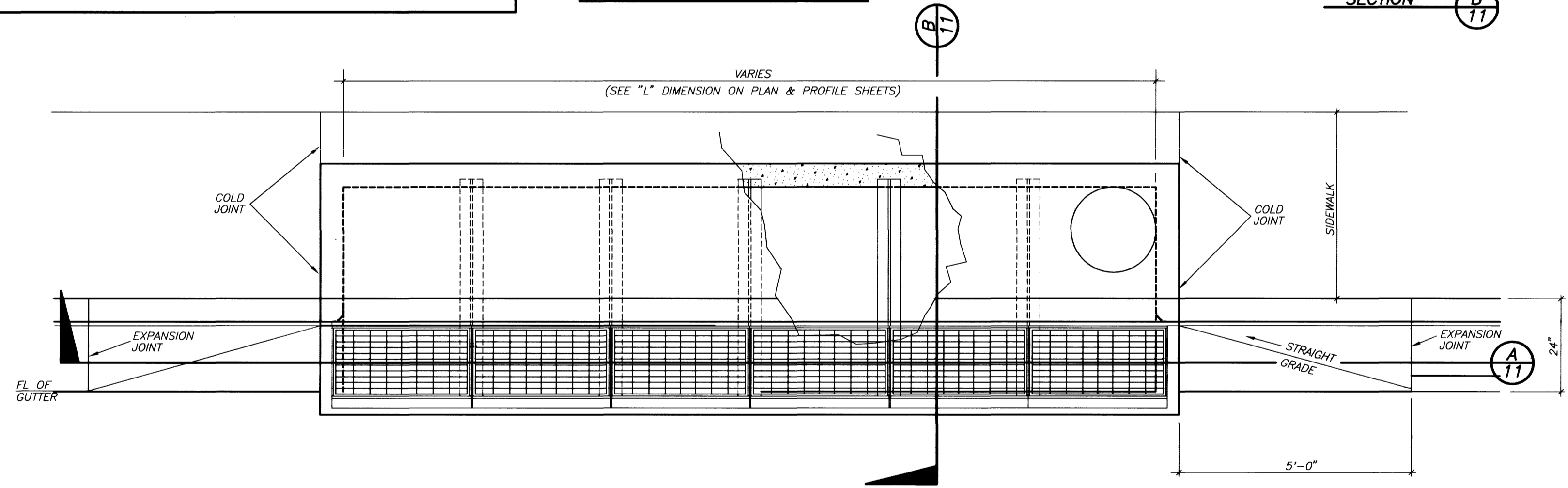
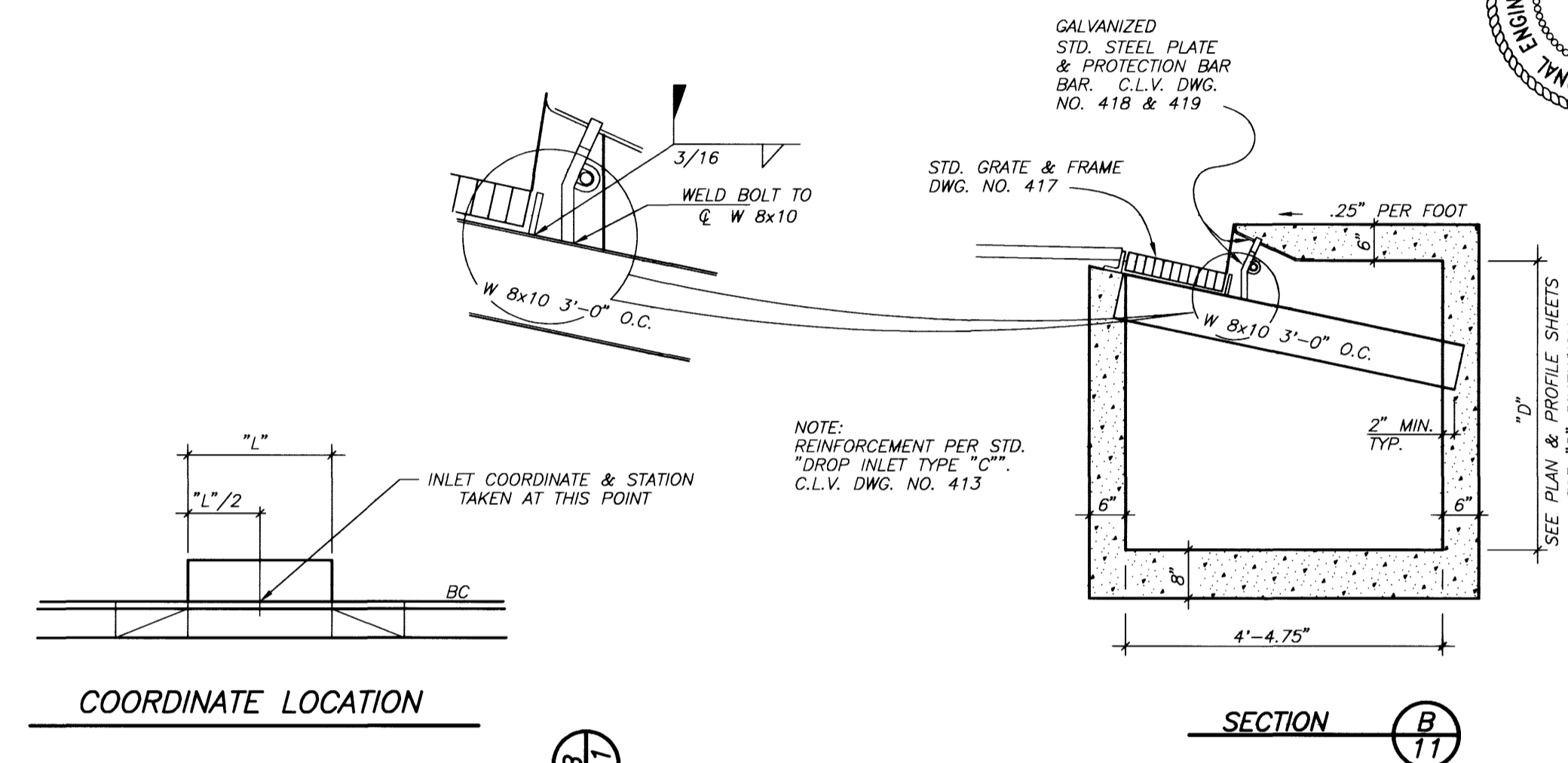


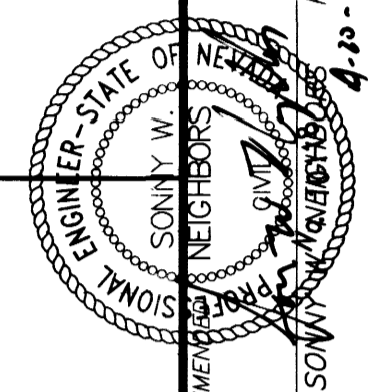
QUANTITIES		
DESCRIPTION	UNIT	AMOUNT
4 1/2" AC PAVEMENT	S.Y.	28,128
2" AC PAVEMENT	S.Y.	353
"L" TYPE CURB & GUTTER	L.F.	7,785
"A" TYPE CURB & GUTTER	L.F.	7,180
SIDEWALK	S.F.	50,433
VALLEY GUTTER	S.F.	3,594
TYPE II GRAVEL BASE	C.Y.	4,841
SIDEWALK RAMP-SUMMERLIN CASE I	EA.	15
C.L.V. BARRICADE	EA.	4
4" SCH. 40 IRRIGATION SLEEVE	L.F.	270
16" D.I. WATER PIPE	L.F.	158
8" PVC WATER PIPE	L.F.	329
6" PVC WATER PIPE	L.F.	959
16"x6" TEE	EA.	1
8"x6" TEE	EA.	1
8"x6" CROSS	EA.	1
8" 45° BEND	EA.	4
6" 90° BEND	EA.	3
12"x8" REDUCER	EA.	1
FIRE HYDRANT	EA.	3
8" GATE VALVE	EA.	2
6" GATE VALVE	EA.	3
CONN. TO EX. MAIN	EA.	1
RELOCATE EX. F.H.	EA.	1
ADJUST BLOW-OFF ASSEMBLY	EA.	2
2 - 4x16' ARCH CULVERT	L.F.	114.3
W/HEADWALLS	EA.	4
WINGWALL	EA.	2
17.5" MOD. TYPE "C" INLET	EA.	2
5.5" MOD. TYPE "C" INLET	EA.	2
24" CLASS III RCP	L.F.	54
18" CLASS III RCP	L.F.	94
2B DOUBLE ARM ST. LT.	EA.	19
1B DOUBLE ARM ST. LT.	EA.	6
1 1/4" PVC ST. LT. CONDUIT	L.F.	3,569
3" PVC TRAFFIC SIGNAL CONDUIT	L.F.	485
NO. 3 1/2 PULLBOX	EA.	5
NO. 5 PULLBOX	EA.	6
VARIOUS STREET SIGNS	EA.	9
STREET STRIPING	L.F.	15,465
RELOCATE EX. ST. LT.	EA.	1



SECTION A 11
MODIFIED TYPE "C" DROP INLET

SCALE: 1/2" = 1'-0"

1 11



G. C. WALLACE, INC.
Engineering/Architecture
1555 SOUTH RAINBOW BLVD./LAS VEGAS, NEVADA 89102

DEL WEBB COMMUNITIES, INC.
SUN CITY LAS VEGAS
MODIFIED TYPE "C" INLET DETAILS
& QUANTITIES

SHEET
11
OF 18 SHEETS