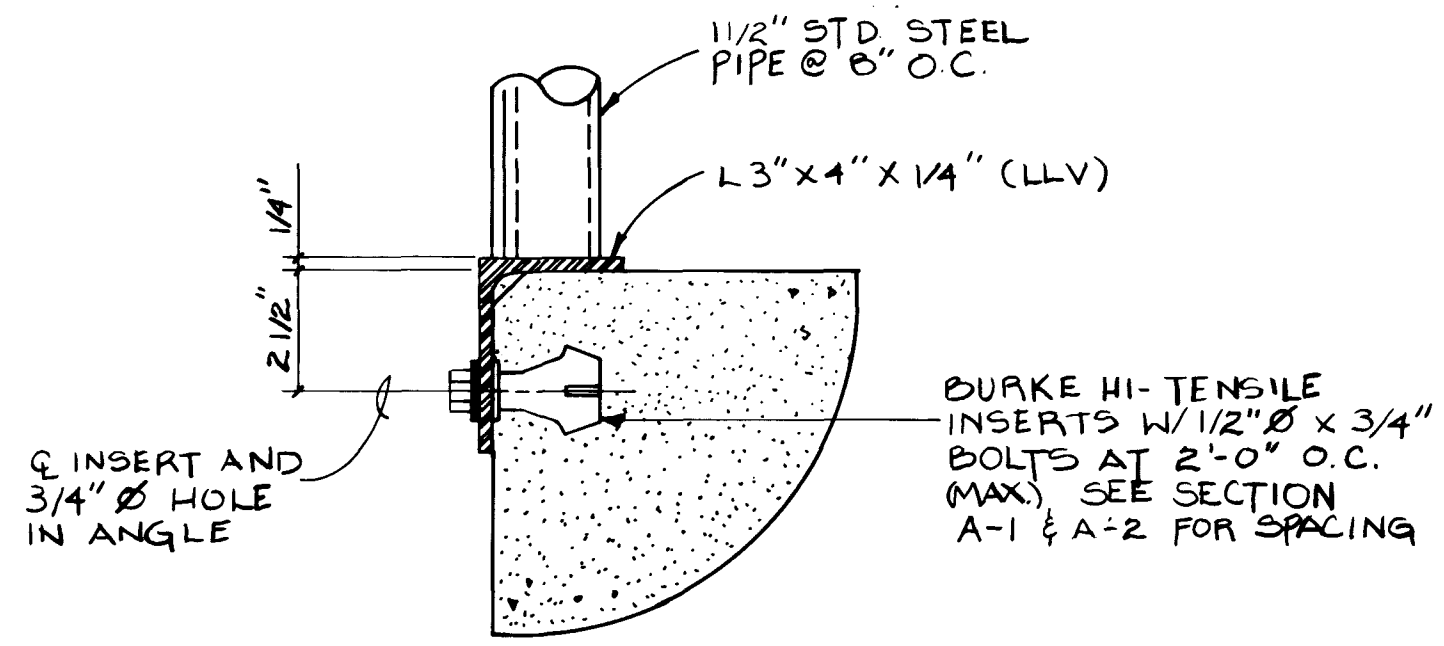
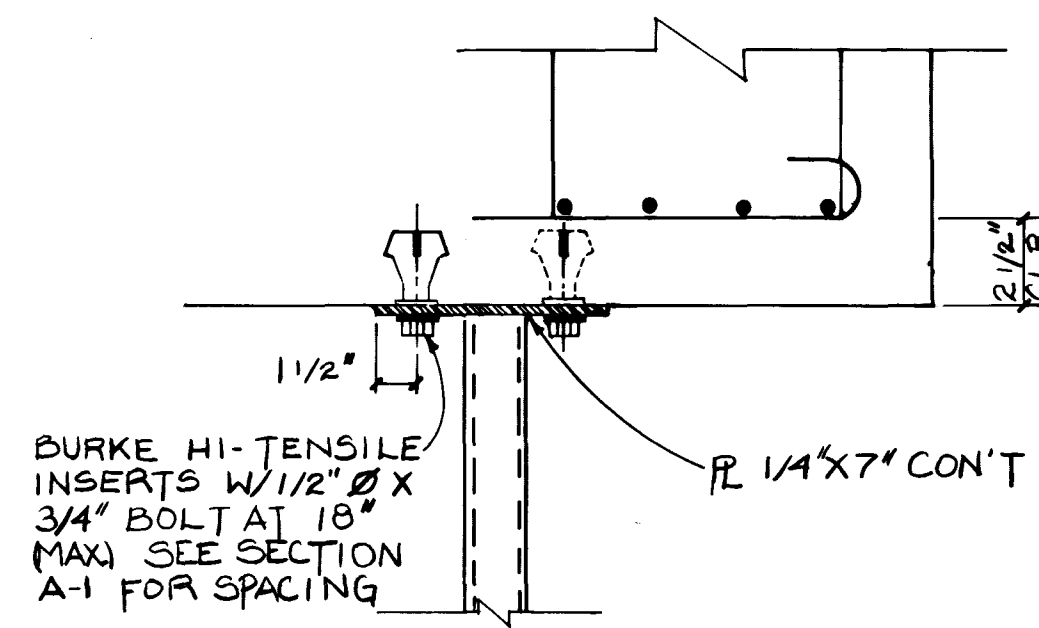


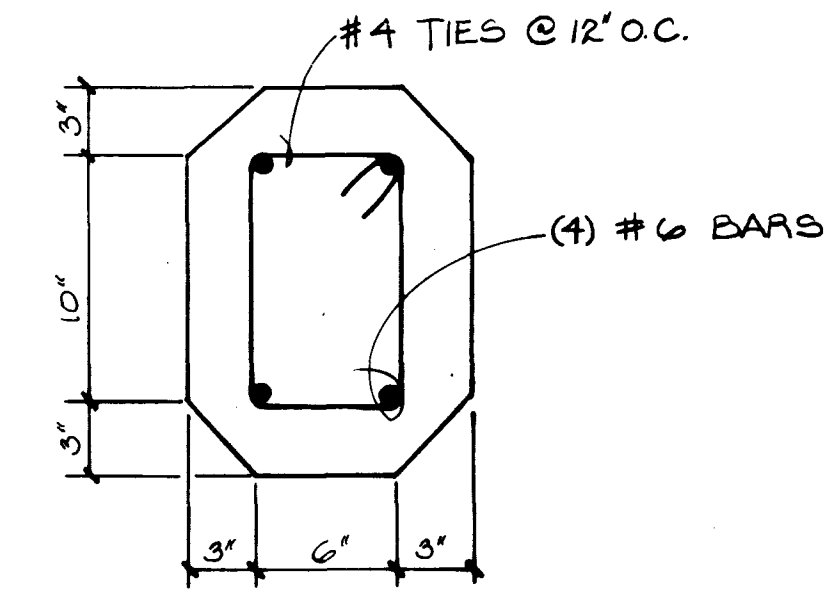
SECTION A
3/4" = 1'-0"



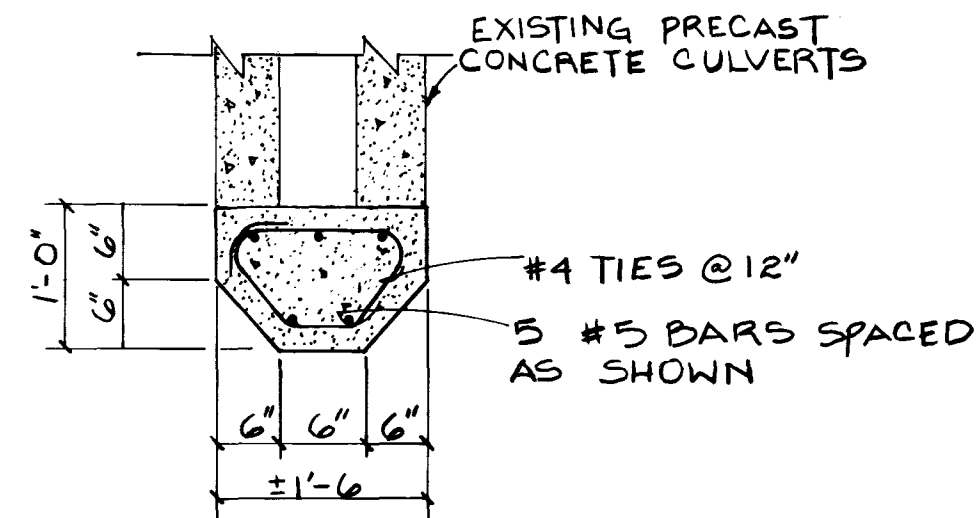
DETAIL 1
3" = 1'-0"



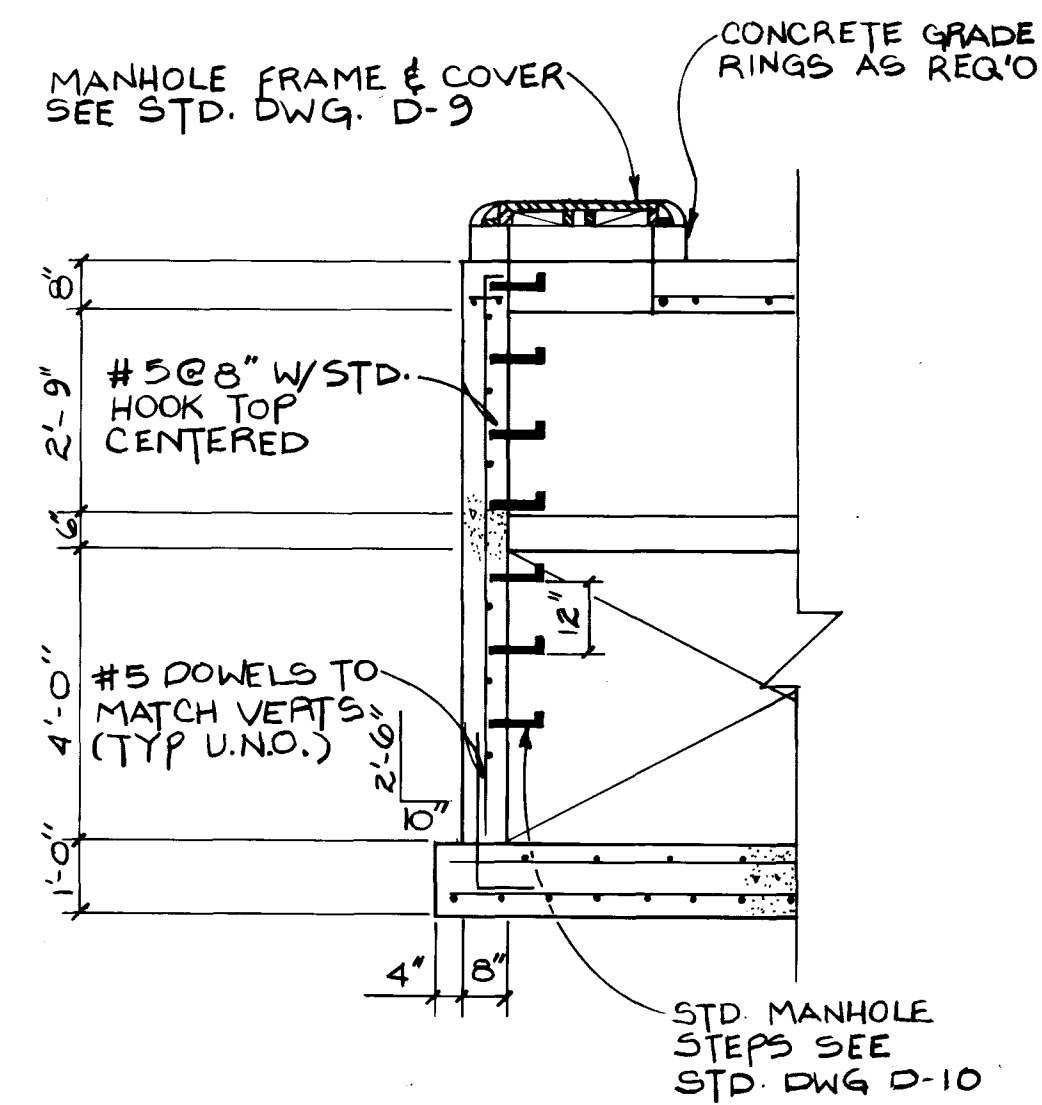
DETAIL 2
N.T.S.



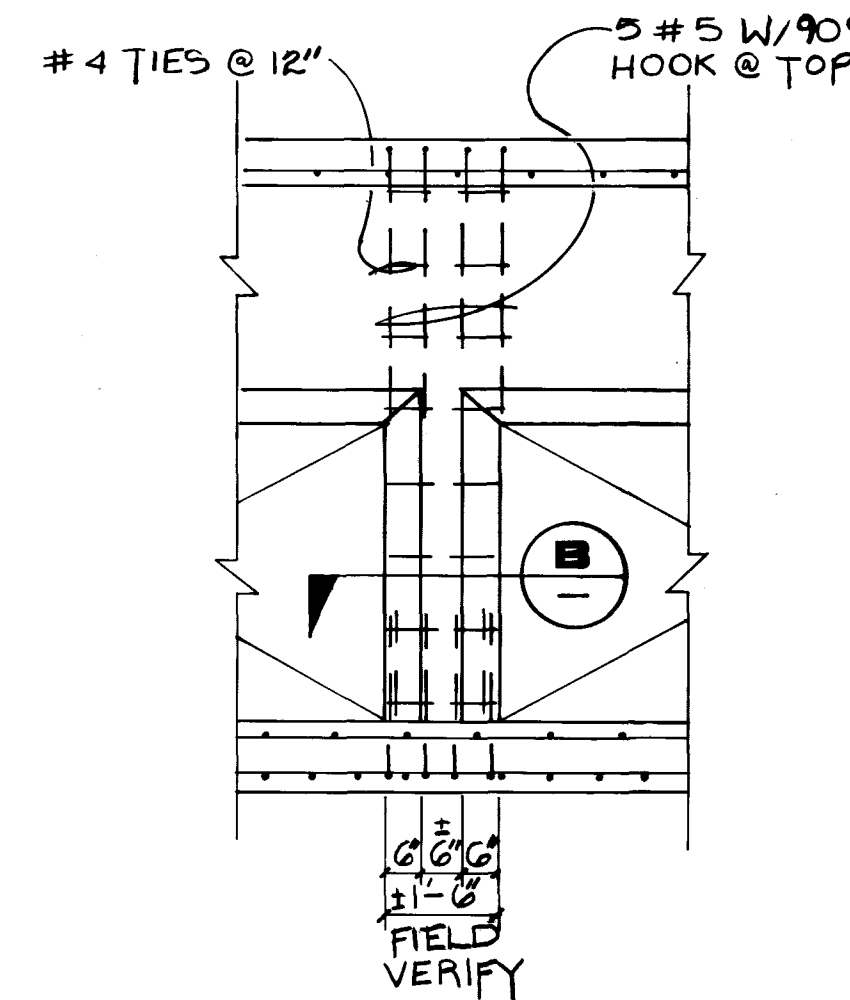
SECTION H
1 1/2" = 1'-0"



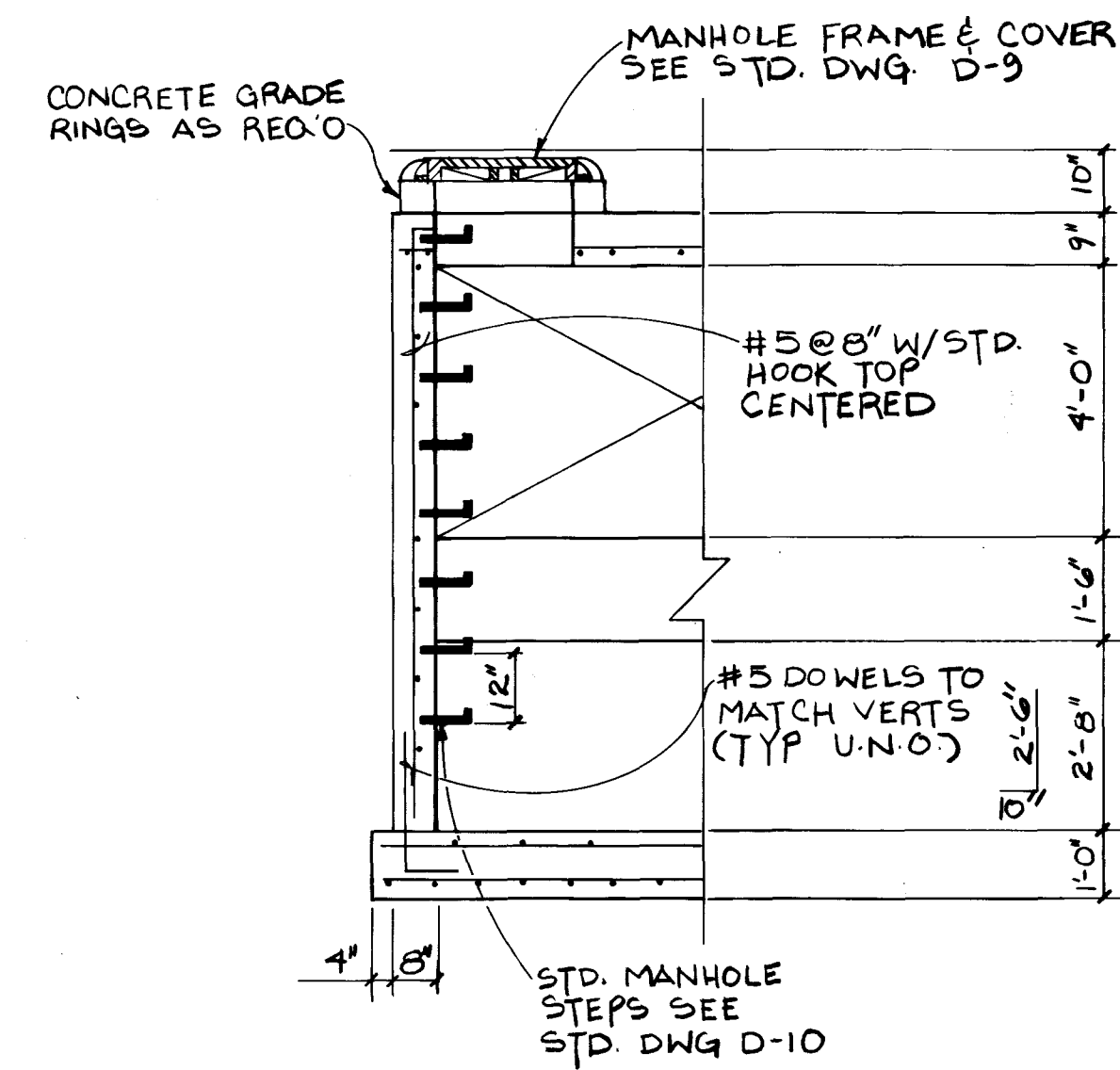
SECTION B
3/4" = 1'-0"



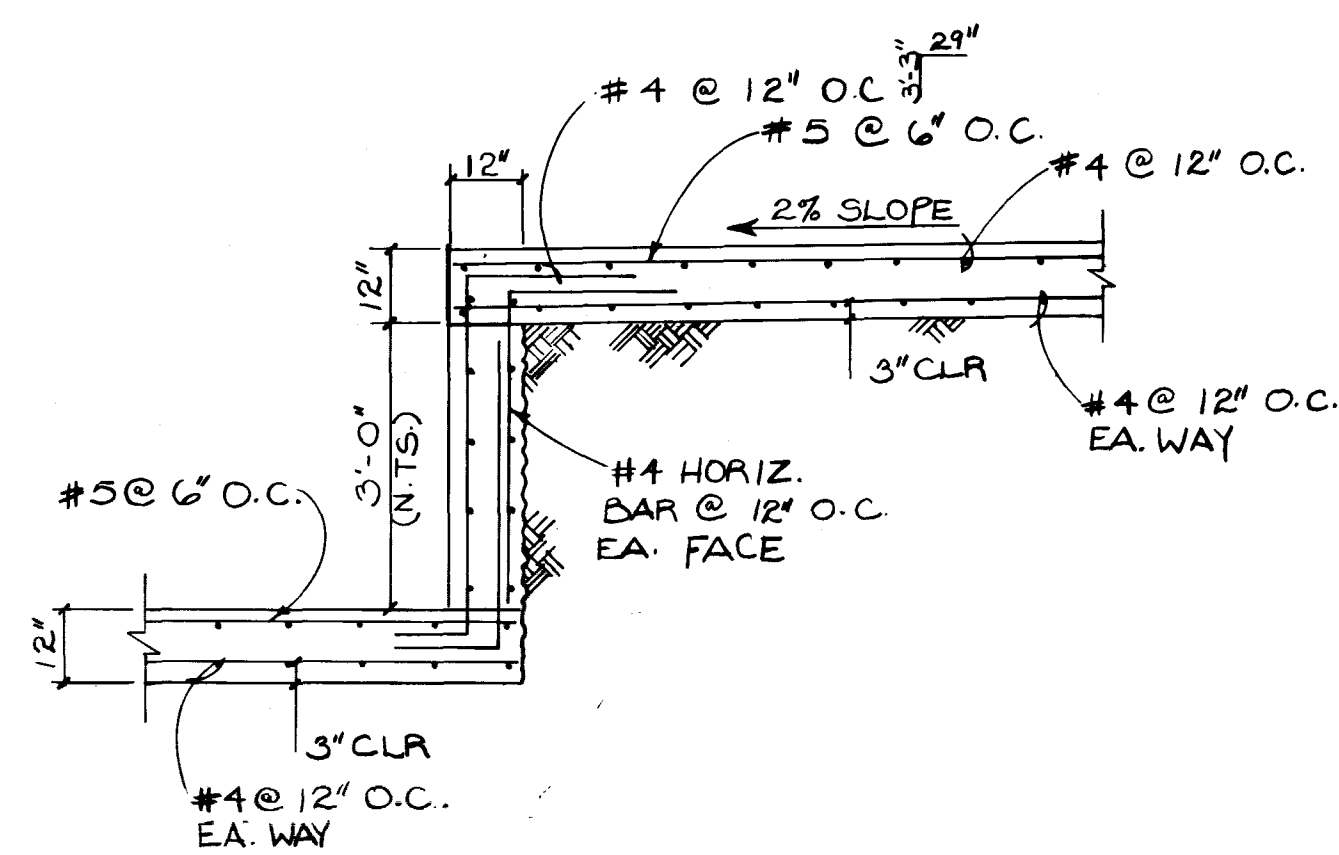
SECTION D
3/8" = 1'-0"



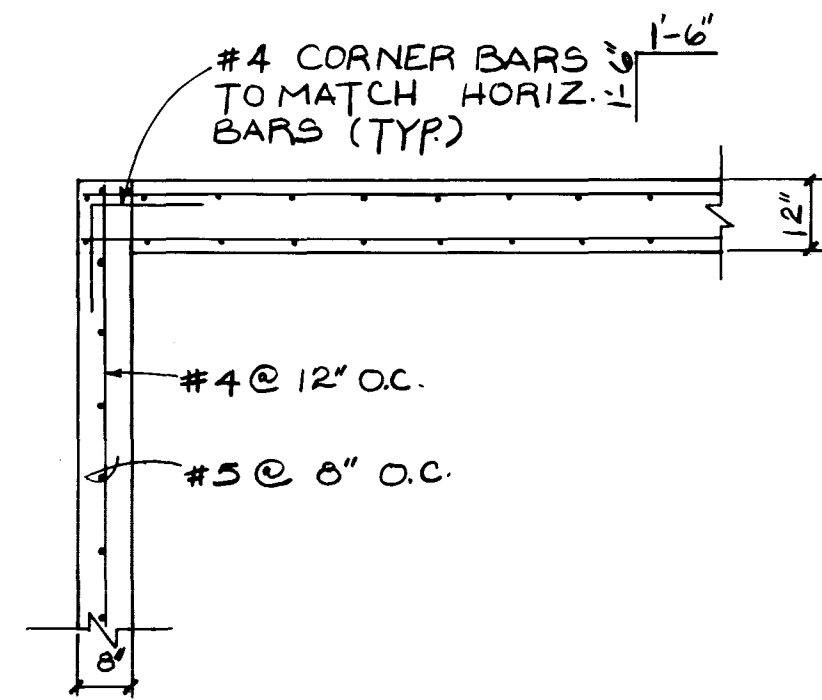
SECTION F
3/8" = 1'-0"



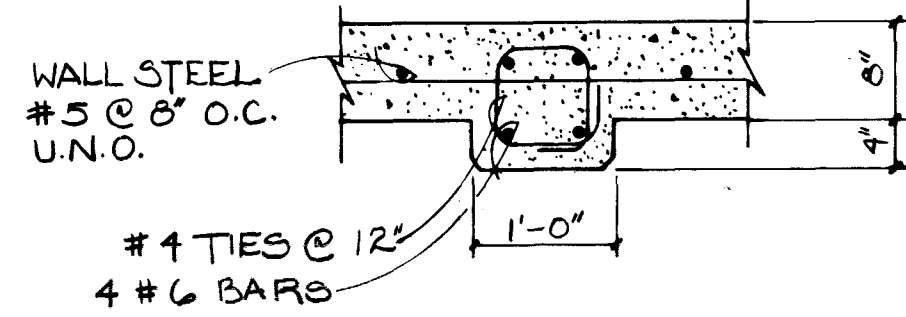
SECTION I
3/8" = 1'-0"



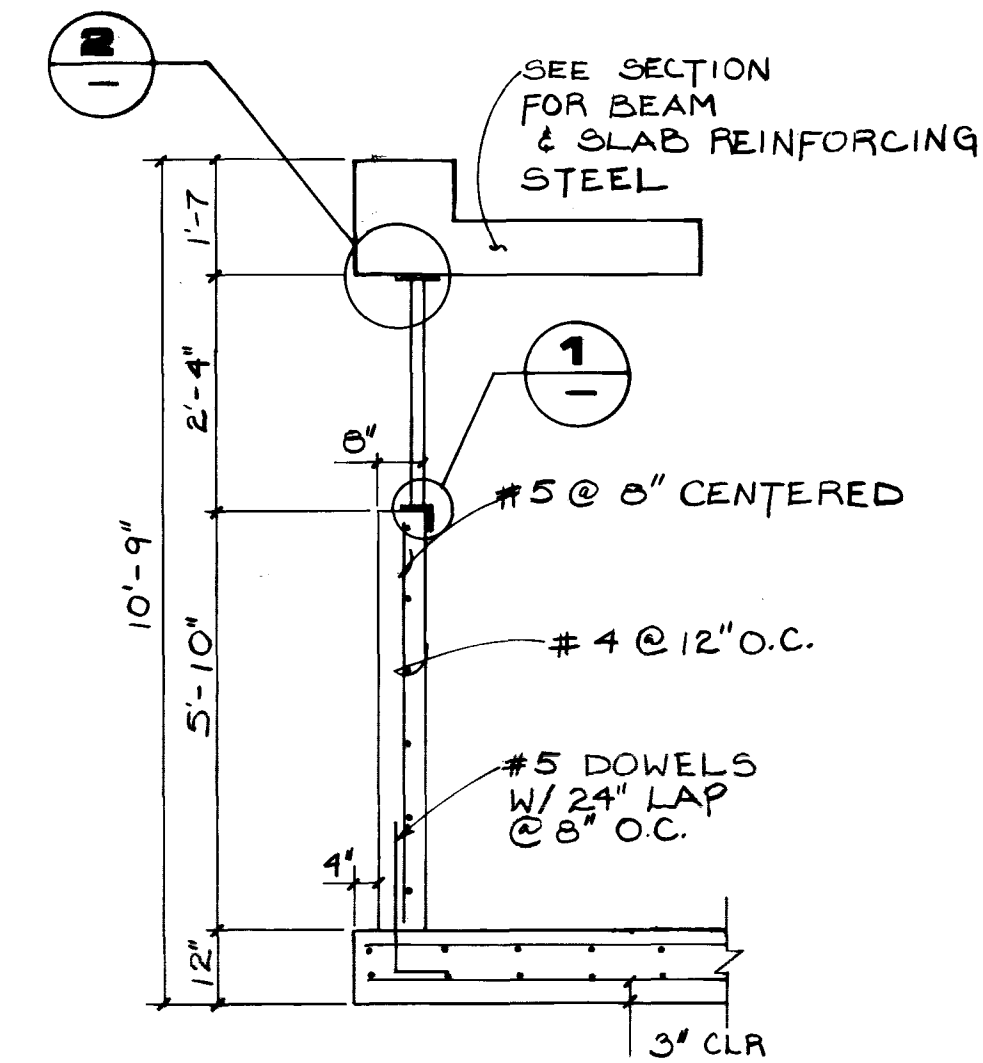
SECTION C
3/8" = 1'-0"



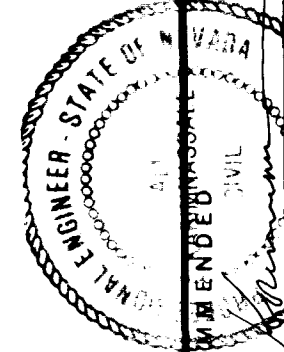
SECTION E
3/8" = 1'-0"



SECTION G
3/4" = 1'-0"



SECTION J
3/8" = 1'-0"



G.C. WALLACE, INC.
Engineering/Architecture

HOWARD HUGHES PROPERTIES
SUMMERLIN-VILLAGE 1 NORTH
DRAINAGE CHANNEL BETWEEN PARCEL H & PARCEL I
SECTION / DETAILS

SHEET
S-3
OF 8 SHEETS

JOB NO. 620.3148D

8/84 DIETRICH-POST 8532B

3081

731-52

