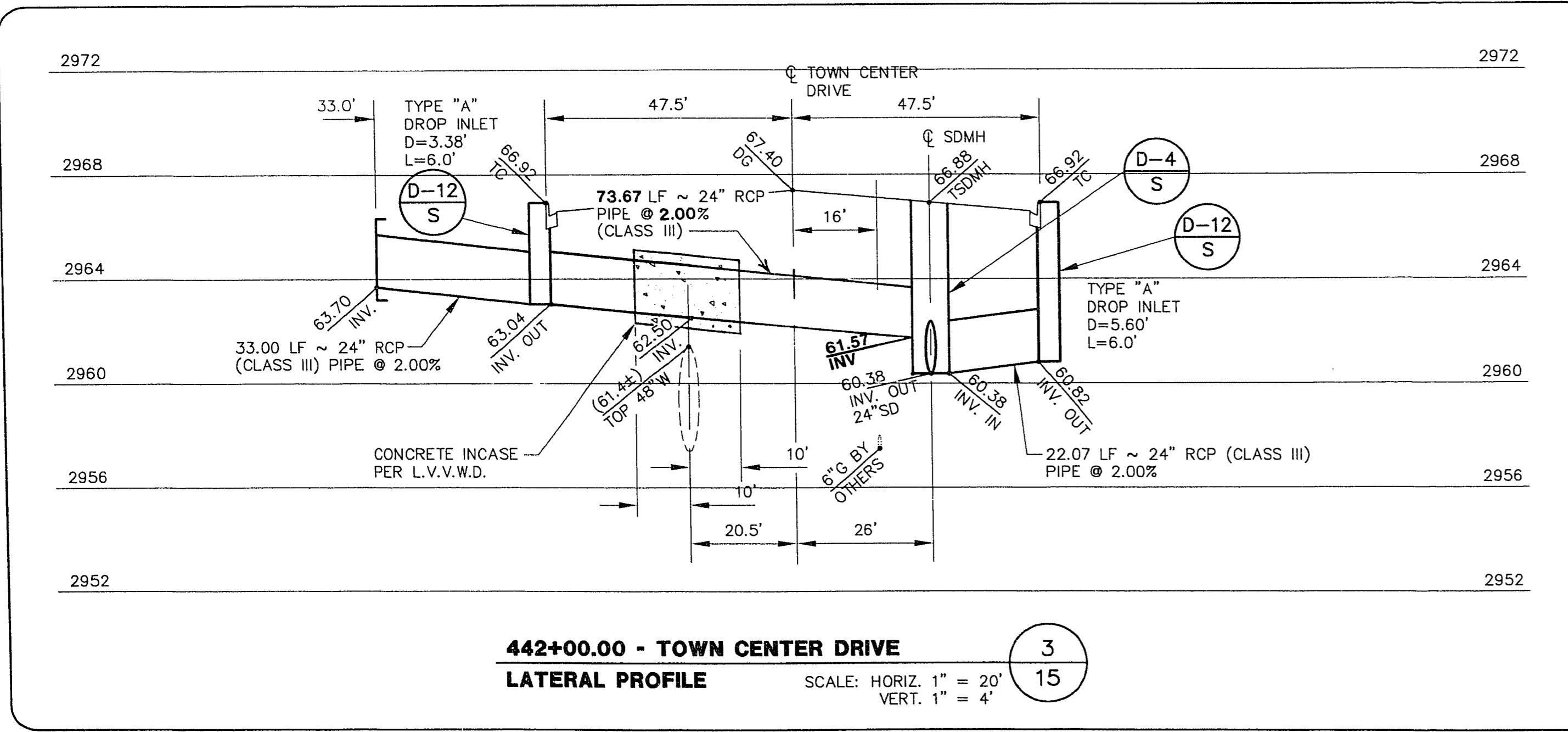
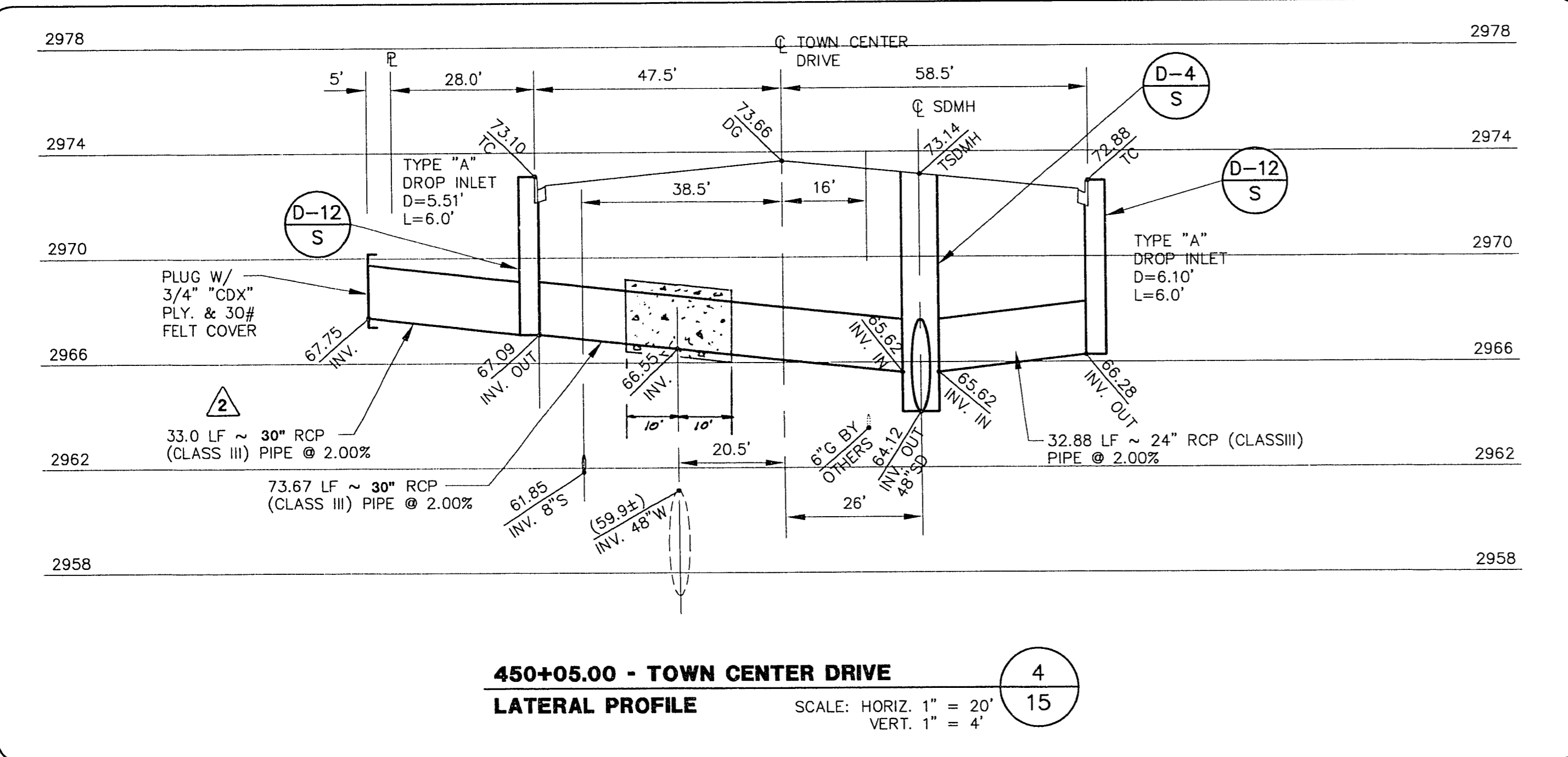
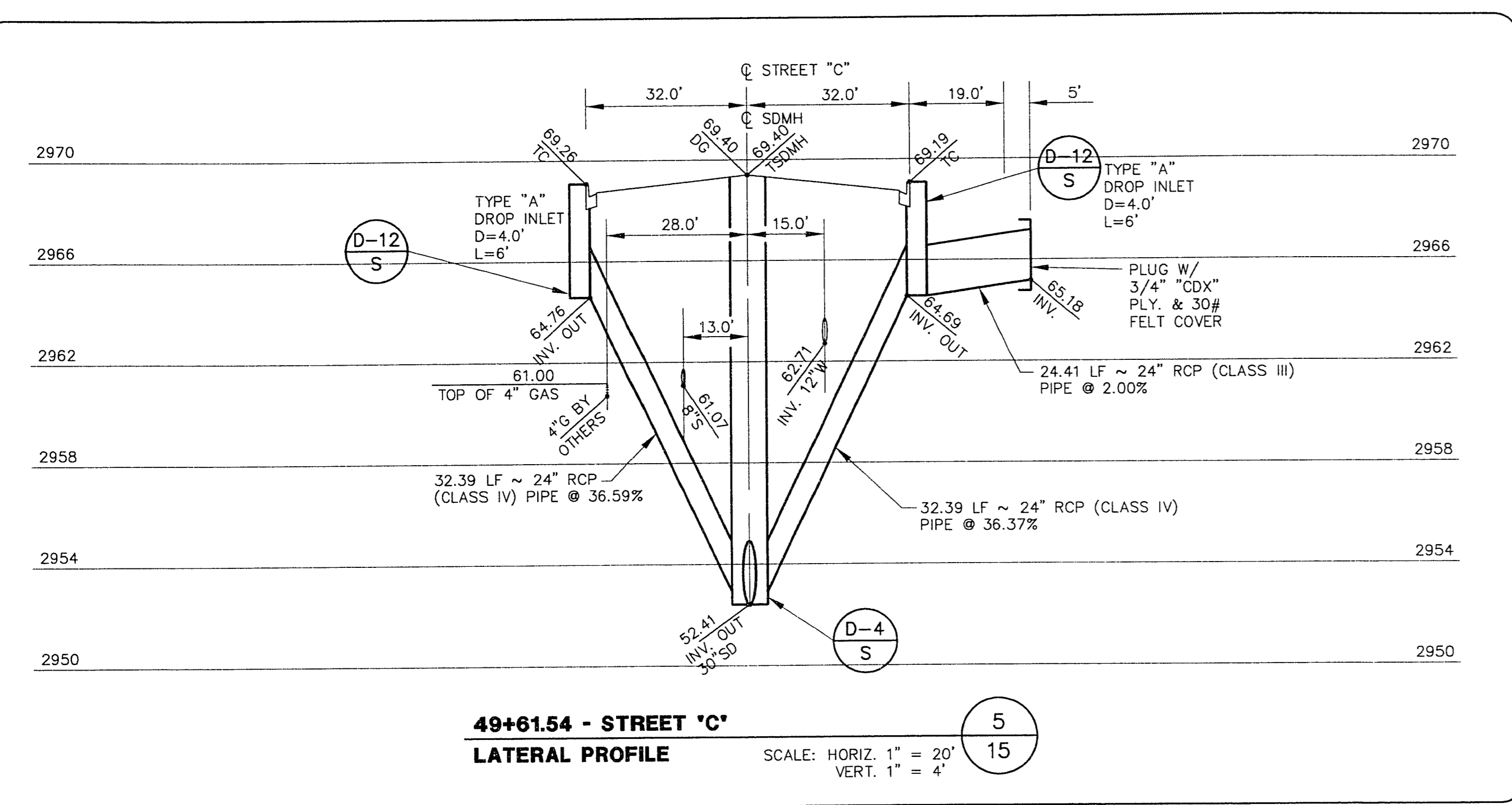
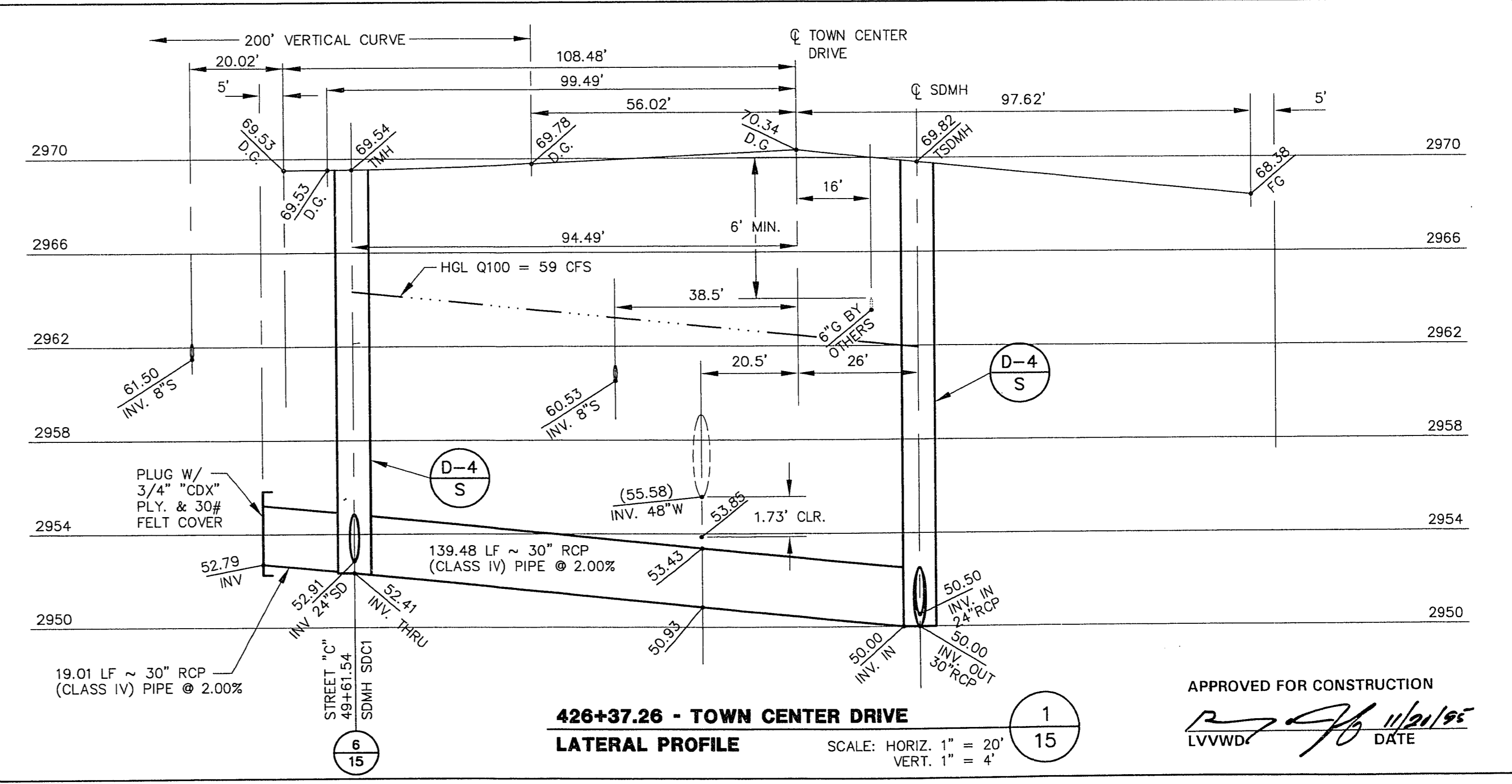
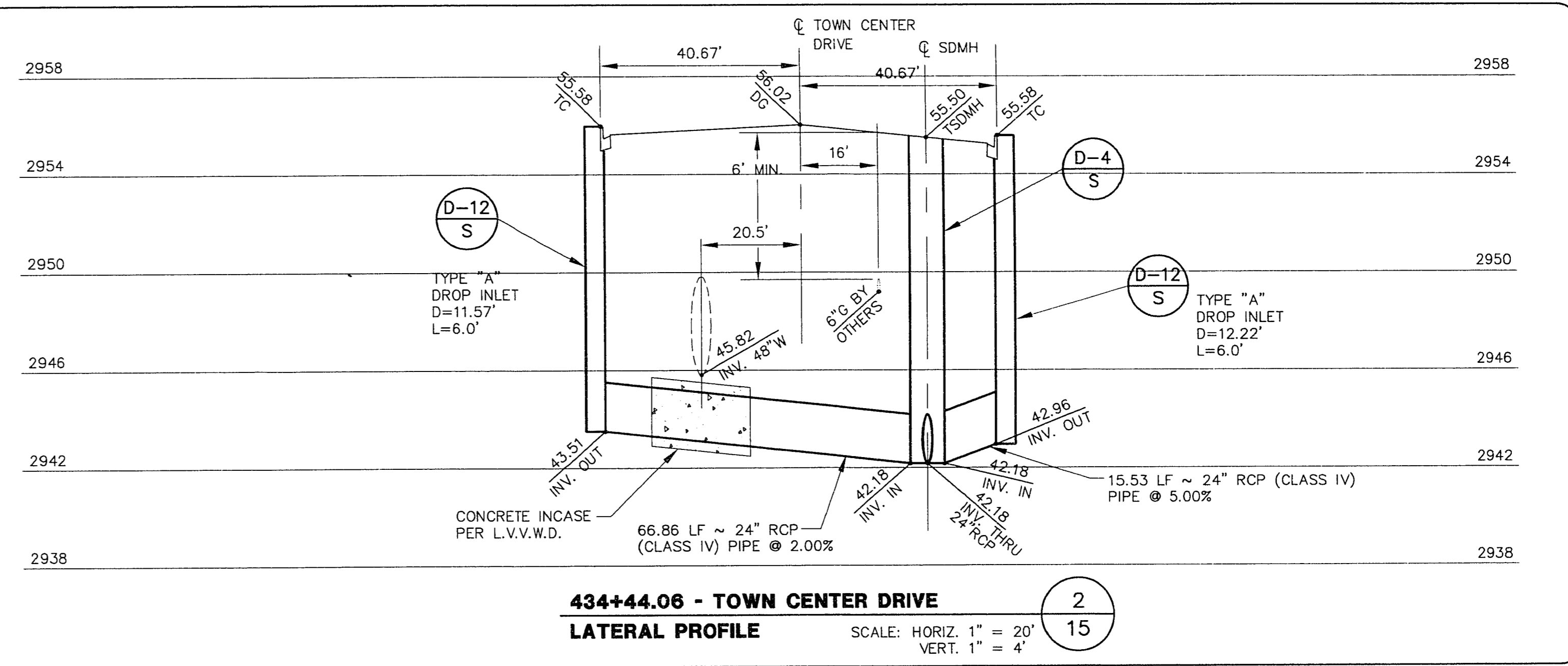
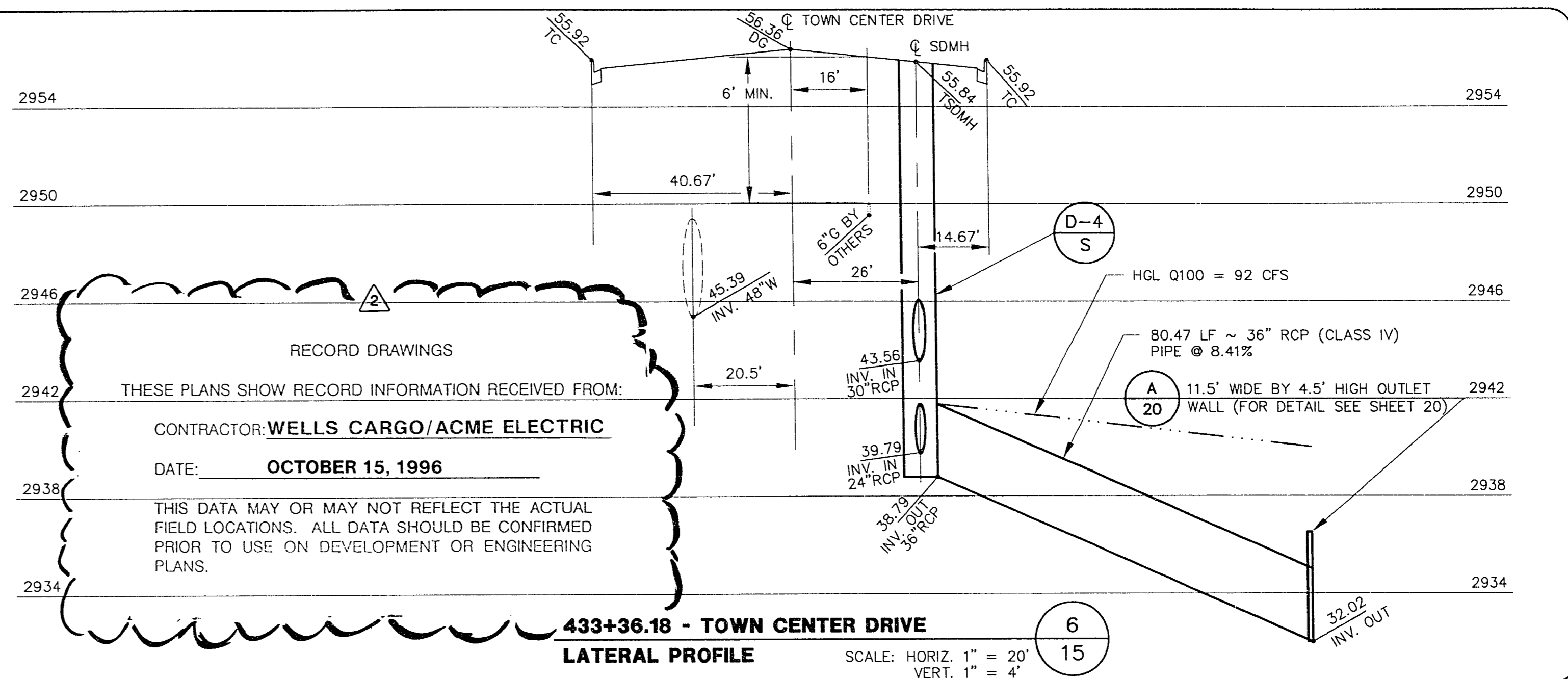


G.C. WALLACE, INC.
Engineering/Architecture
1555 SOUTH RAINBOW BLVD., LAS VEGAS, NEVADA 89102

SUMMERLIN
TOWN CENTER DRIVE
TOWN CENTER DR. - ALTA TO CHARLESTON
STORM DRAIN LATERAL DETAILS

SHEET
15

SHT 15 OF 24



JOB NO. 62012.206

07-2-14

S.I.D.NO. 707 PROJECT NO.3A,3B,3C

107-V2435