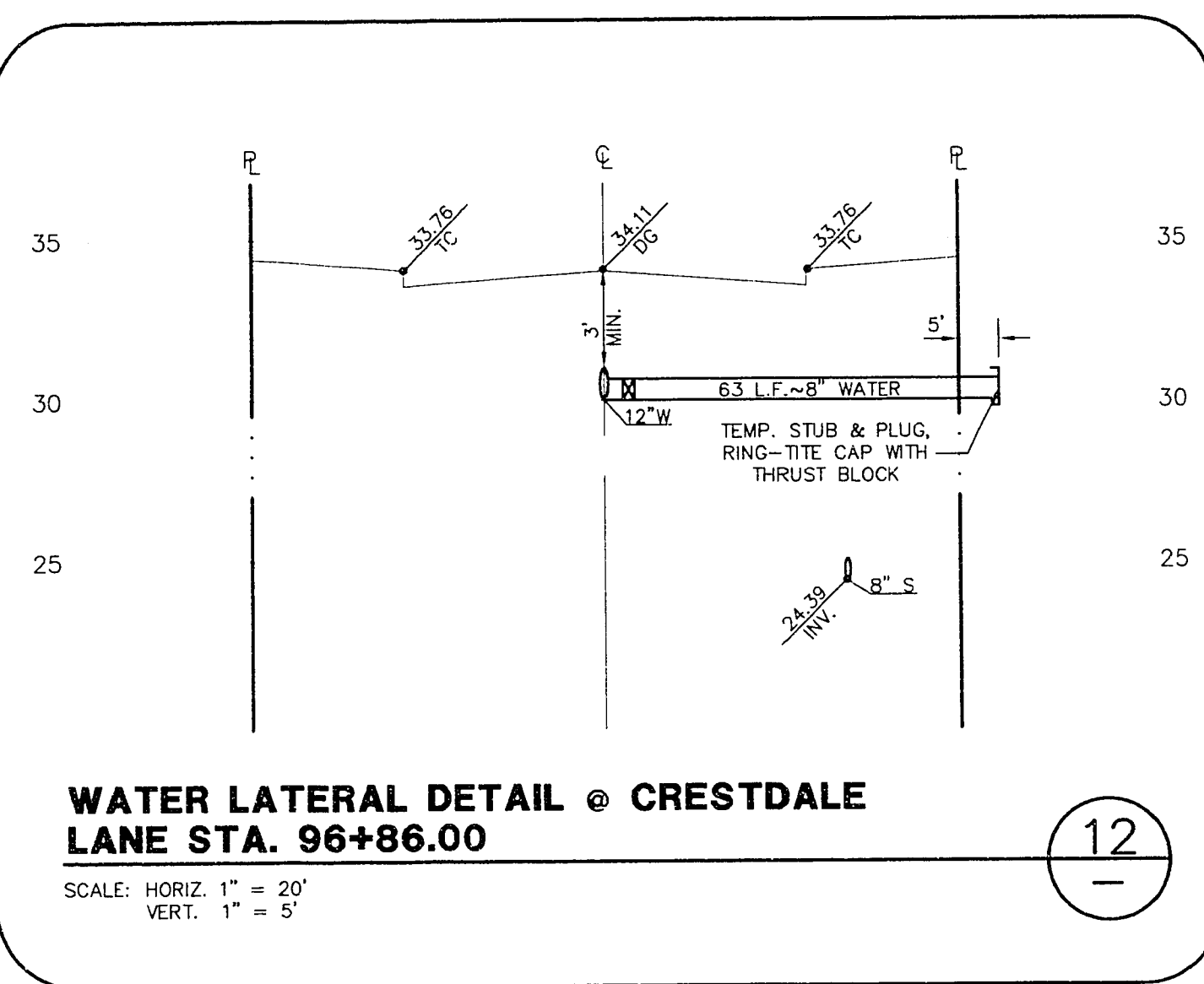


JOB NO. 62008.203

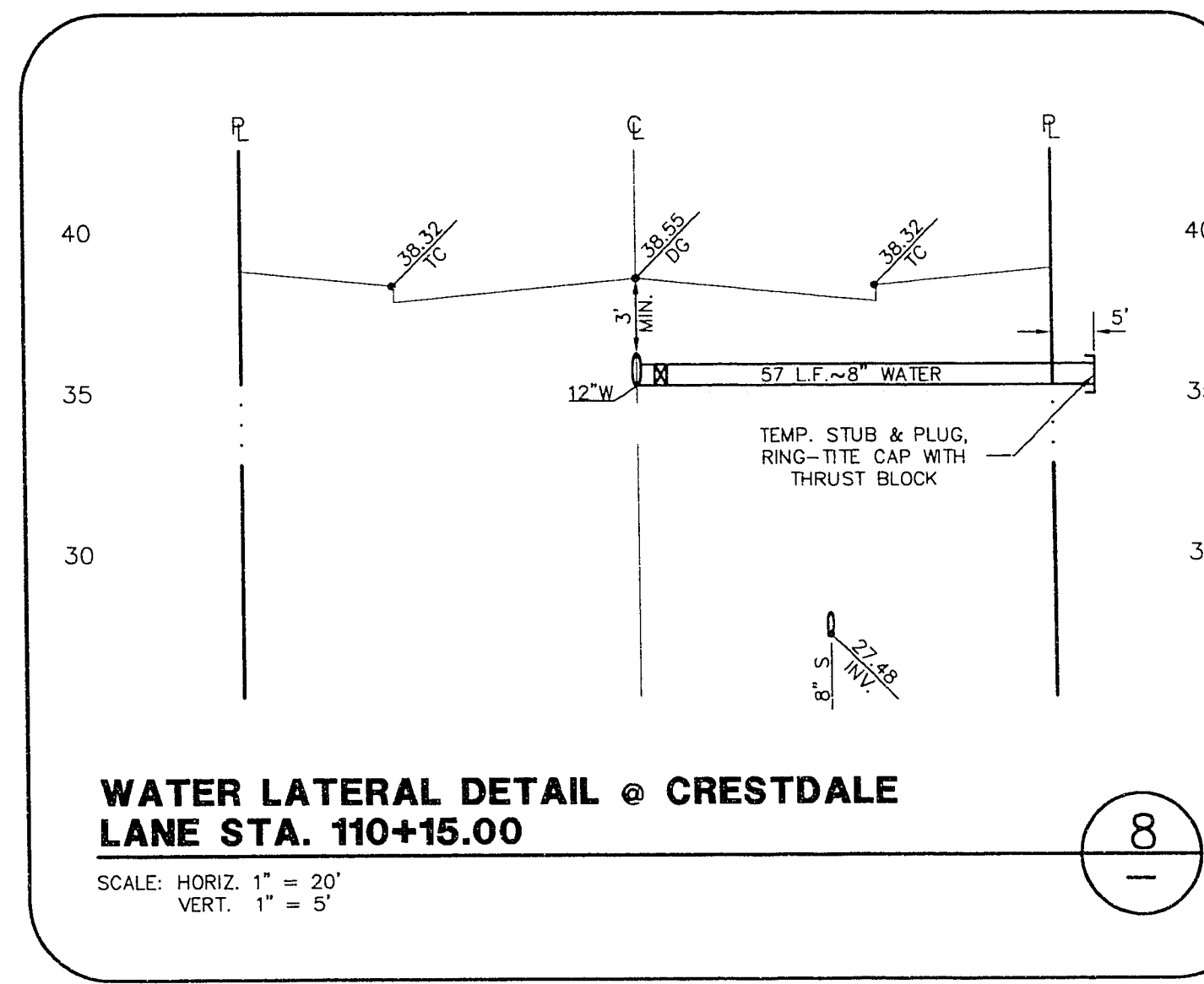
S.T.S., V8U3-LAT2WG, 11/03/94



**WATER LATERAL DETAIL @ CRESTDALE
LANE STA. 96+86.00**

SCALE: HORIZ. 1" = 20'
VERT. 1" = 5'

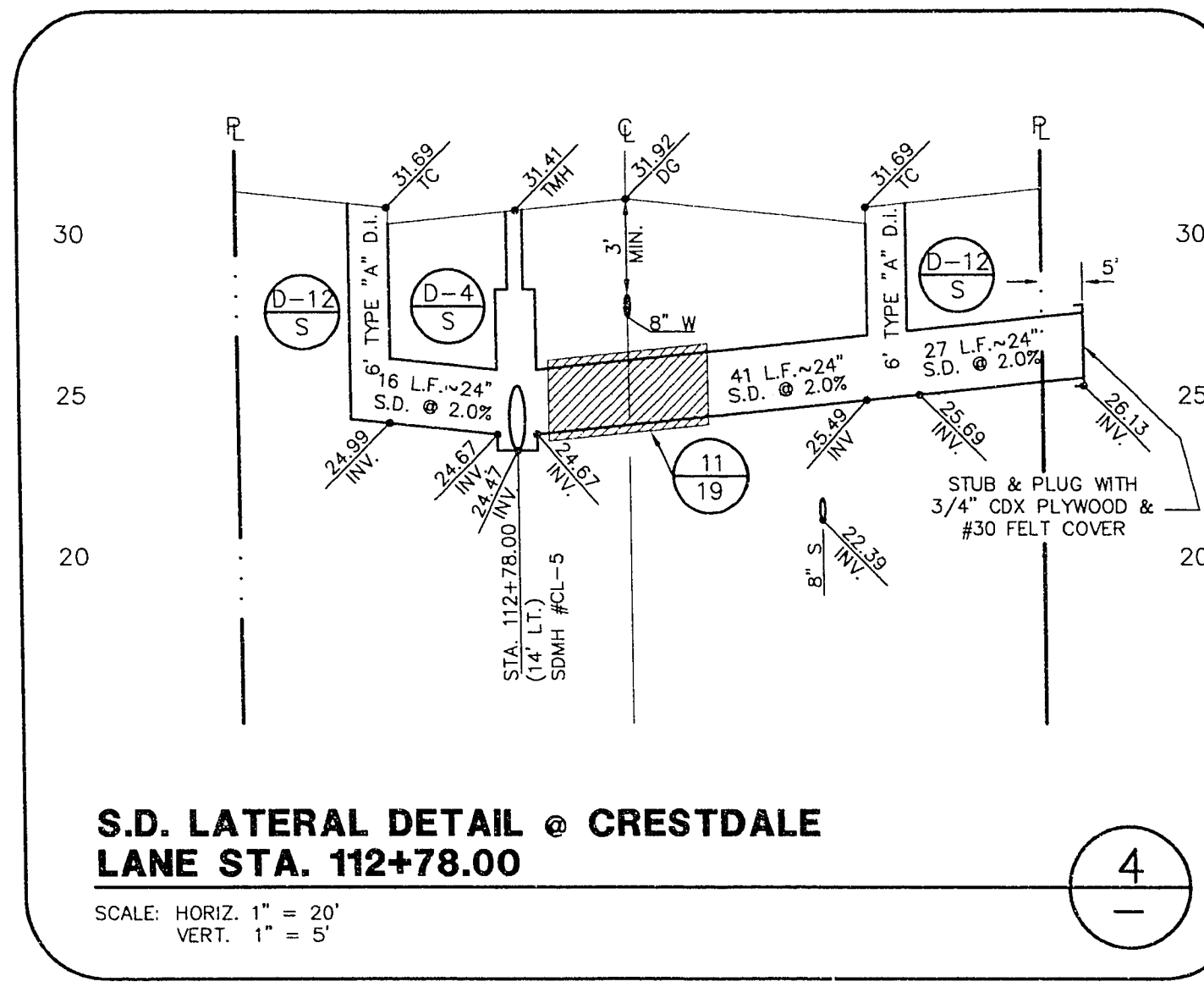
12



**WATER LATERAL DETAIL @ CRESTDALE
LANE STA. 110+15.00**

SCALE: HORIZ. 1" = 20'
VERT. 1" = 5'

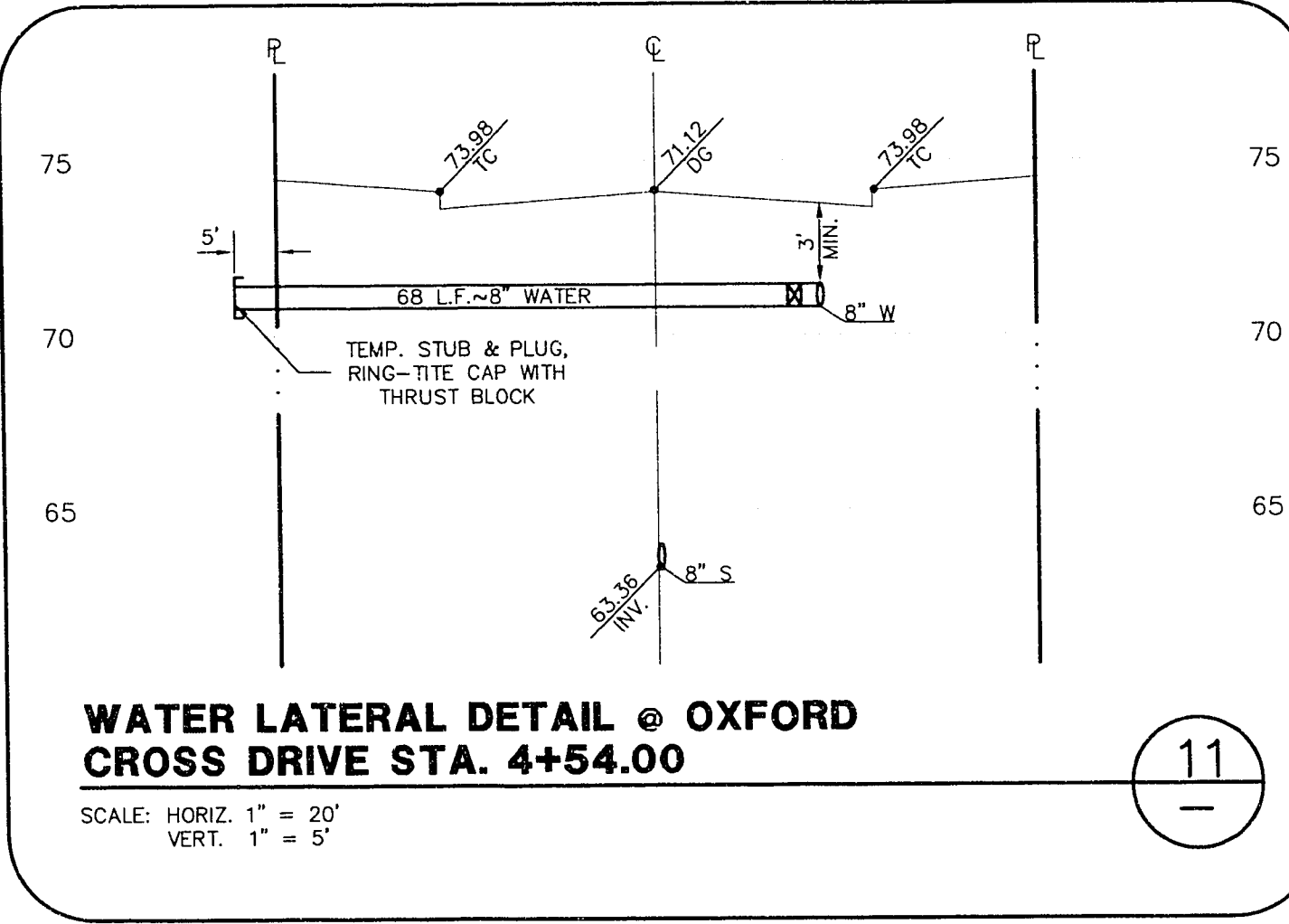
8



**S.D. LATERAL DETAIL @ CRESTDALE
LANE STA. 112+78.00**

SCALE: HORIZ. 1" = 20'
VERT. 1" = 5'

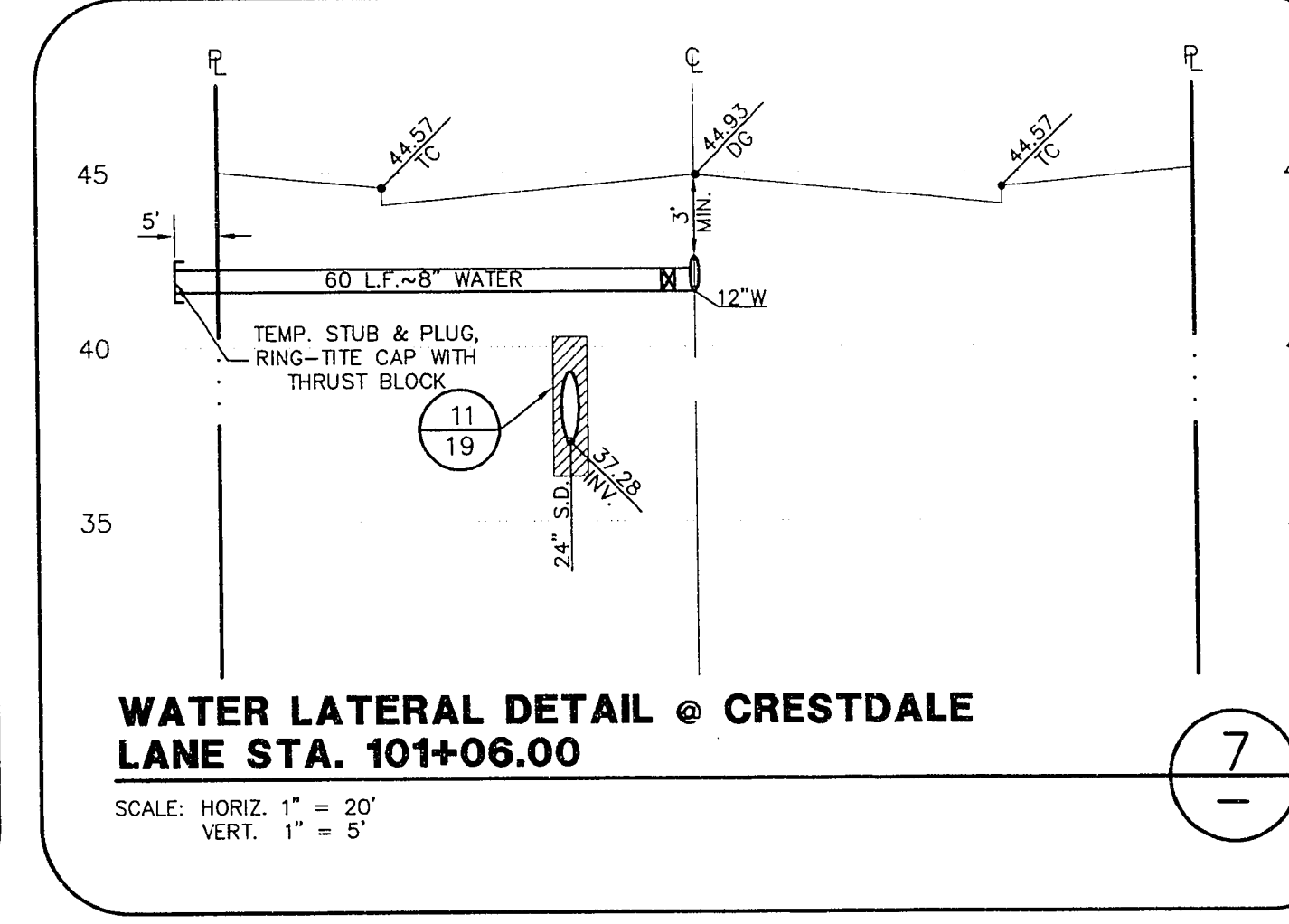
4



**WATER LATERAL DETAIL @ OXFORD
CROSS DRIVE STA. 4+54.00**

SCALE: HORIZ. 1" = 20'
VERT. 1" = 5'

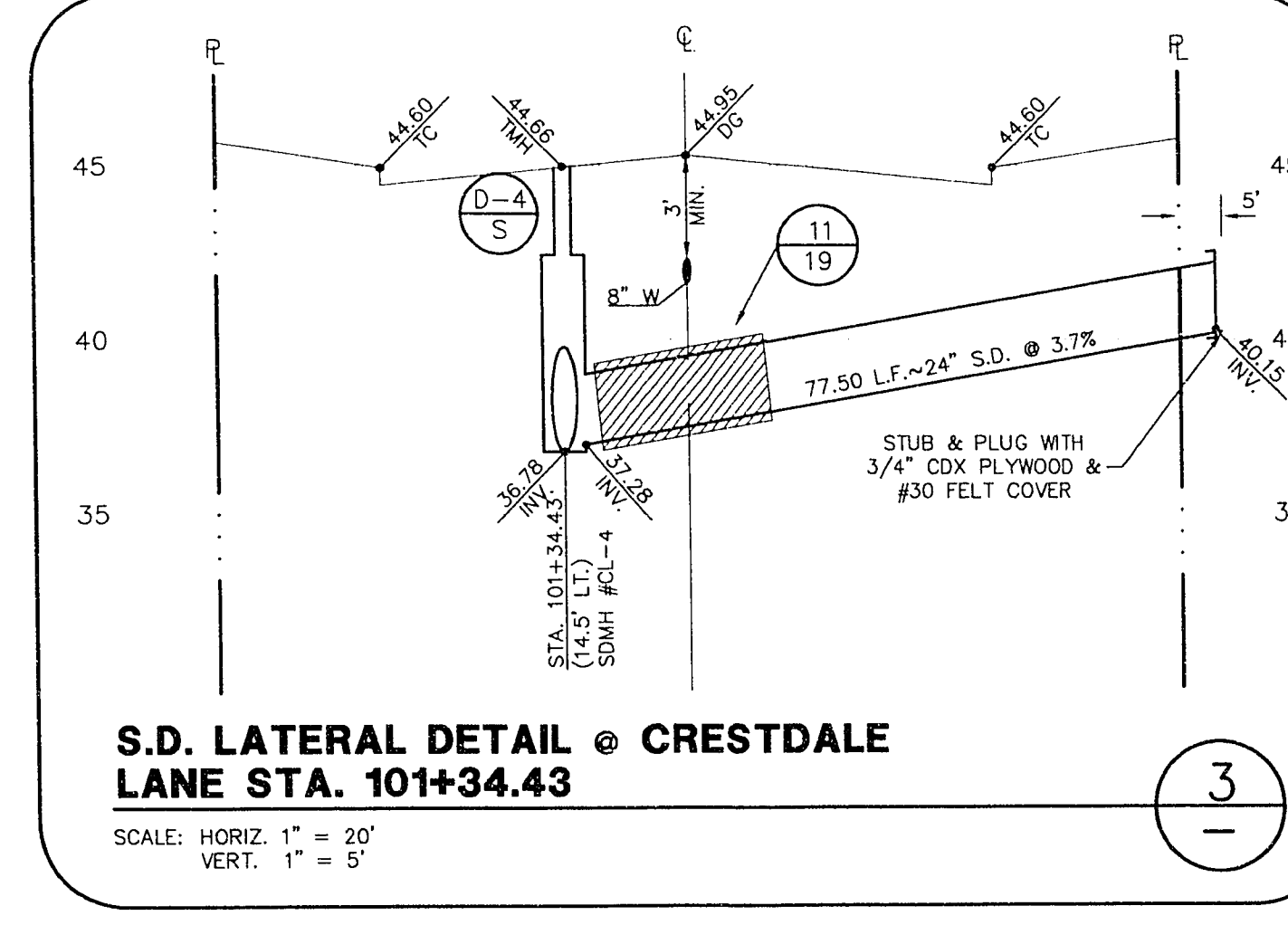
11



**WATER LATERAL DETAIL @ CRESTDALE
LANE STA. 101+06.00**

SCALE: HORIZ. 1" = 20'
VERT. 1" = 5'

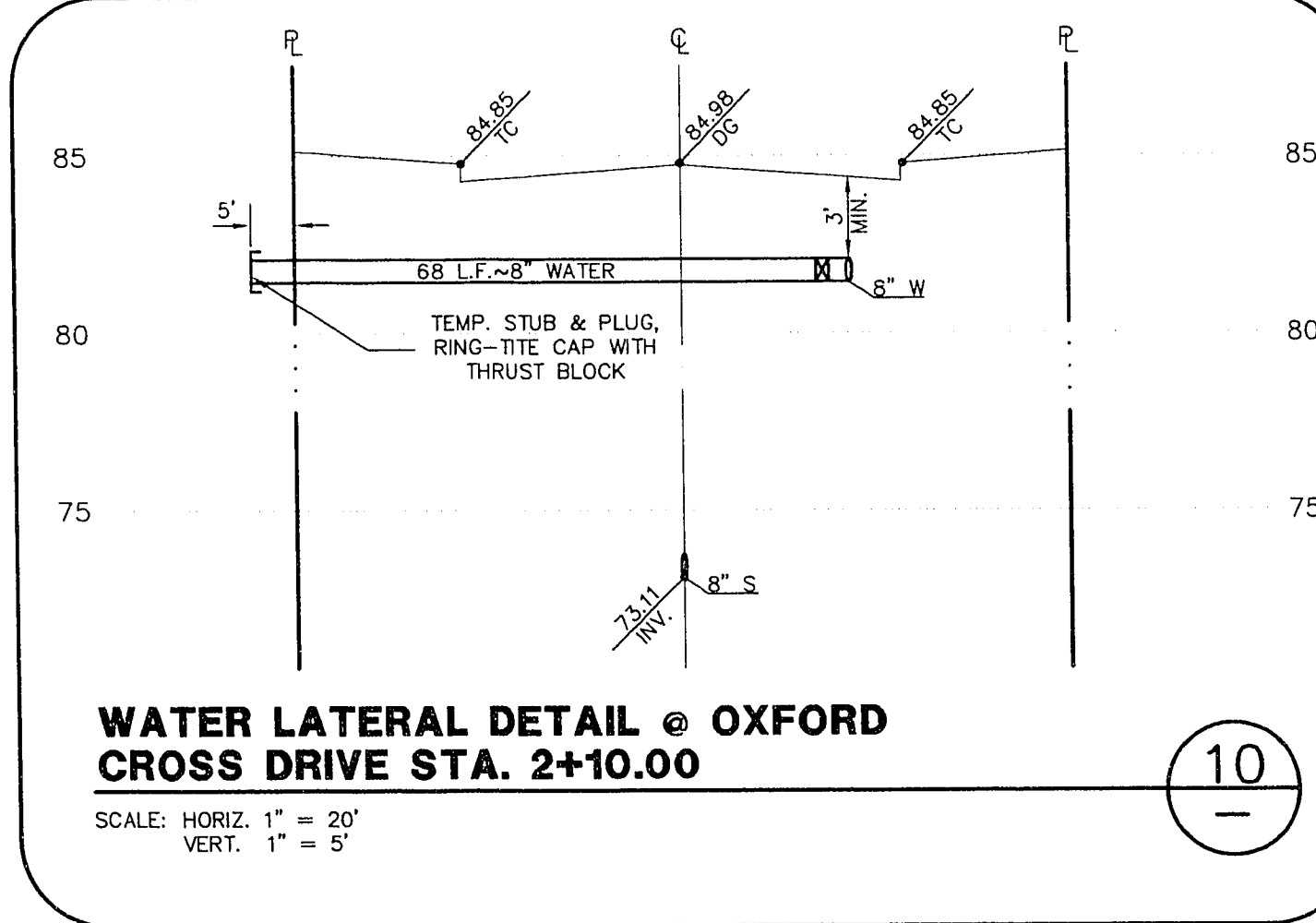
7



**S.D. LATERAL DETAIL @ CRESTDALE
LANE STA. 101+34.43**

SCALE: HORIZ. 1" = 20'
VERT. 1" = 5'

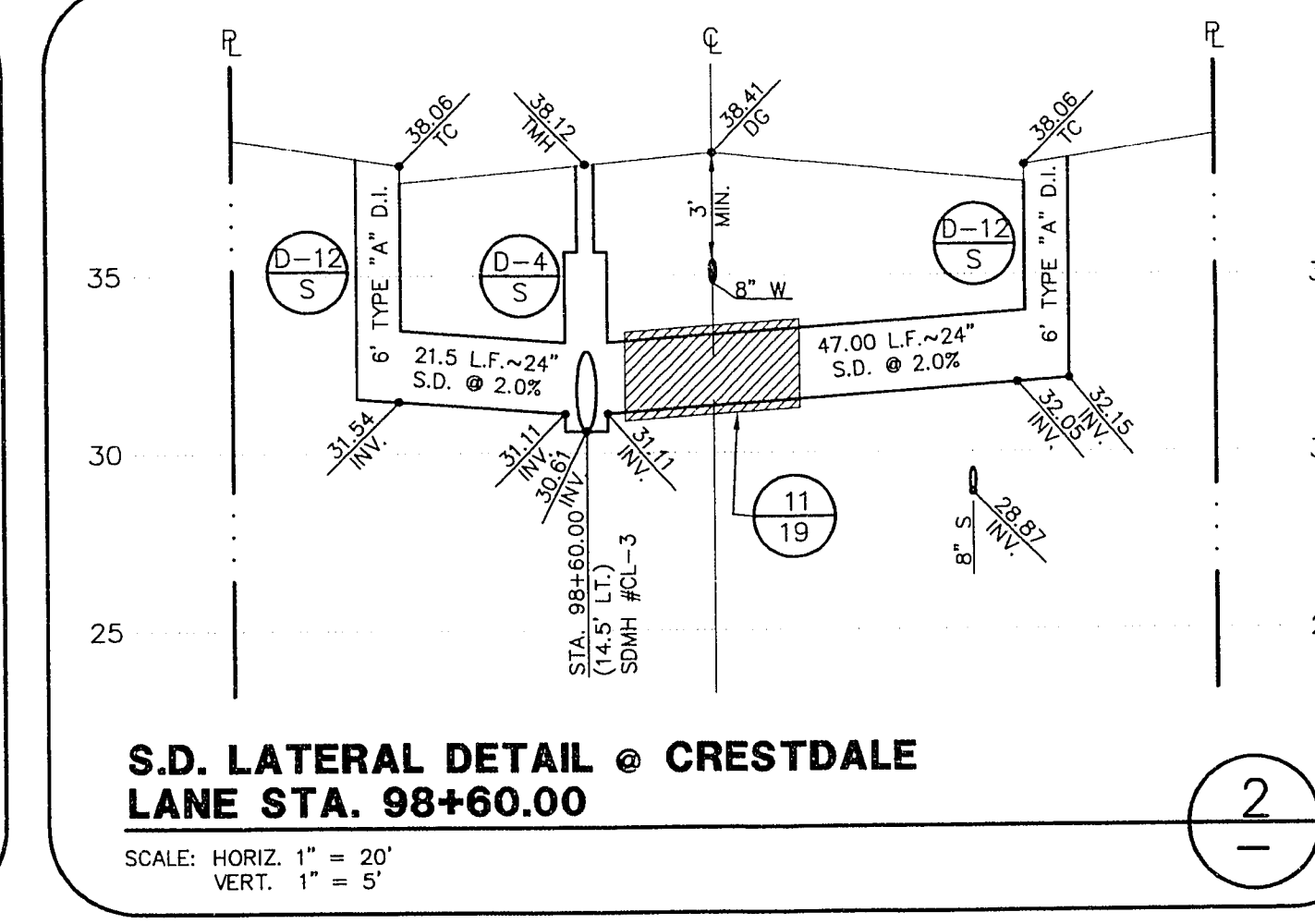
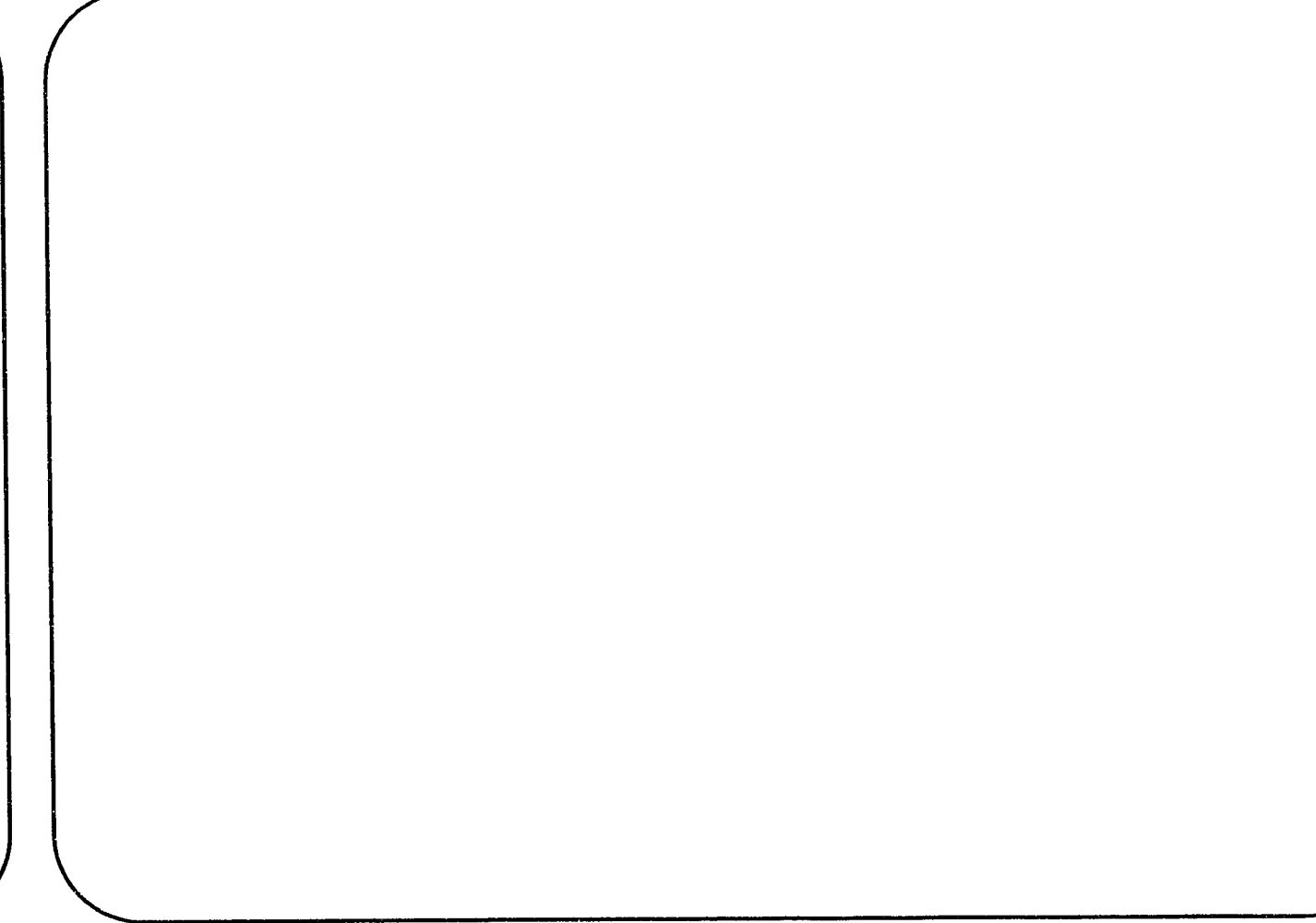
3



**WATER LATERAL DETAIL @ OXFORD
CROSS DRIVE STA. 2+10.00**

SCALE: HORIZ. 1" = 20'
VERT. 1" = 5'

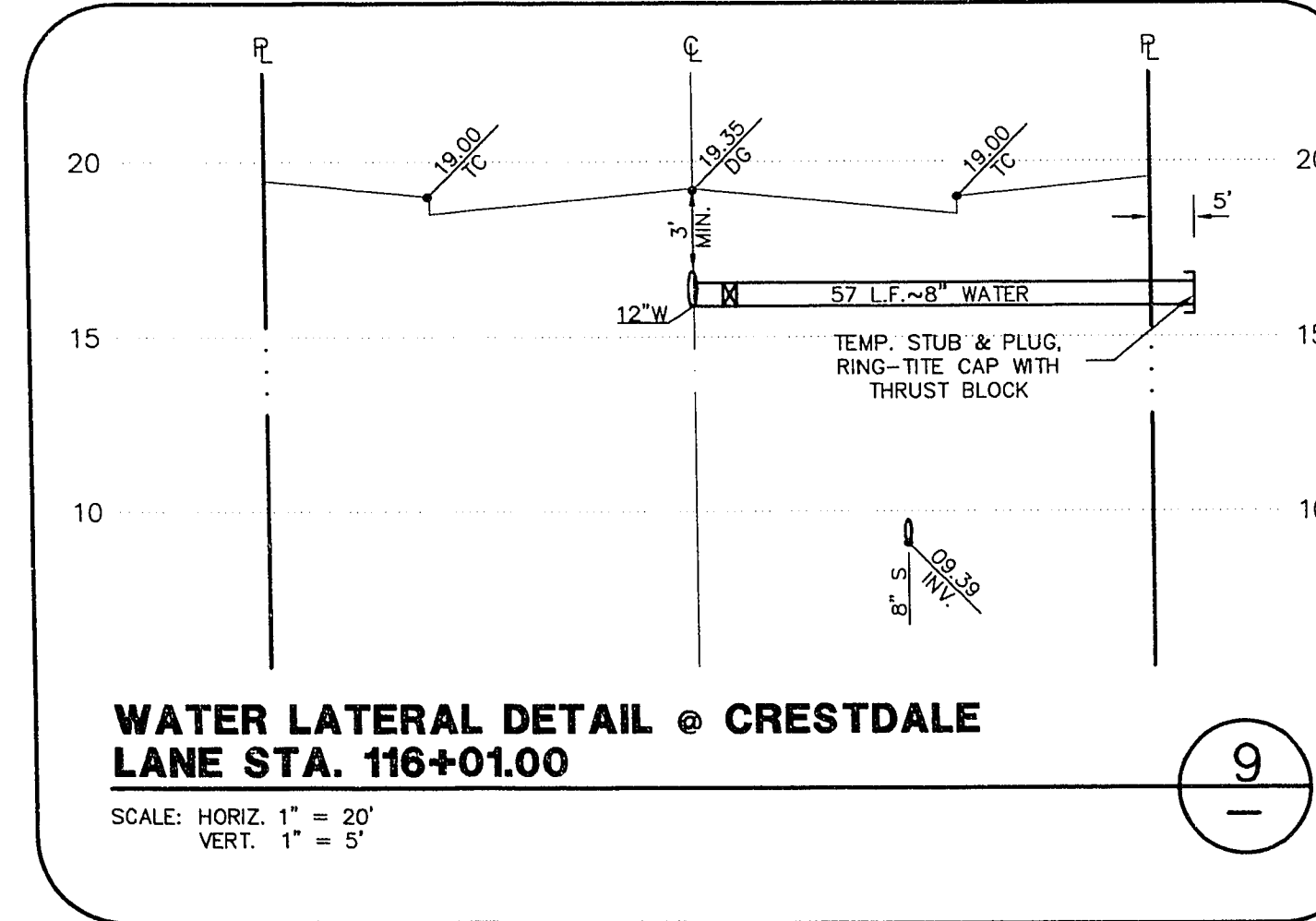
10



**S.D. LATERAL DETAIL @ CRESTDALE
LANE STA. 98+60.00**

SCALE: HORIZ. 1" = 20'
VERT. 1" = 5'

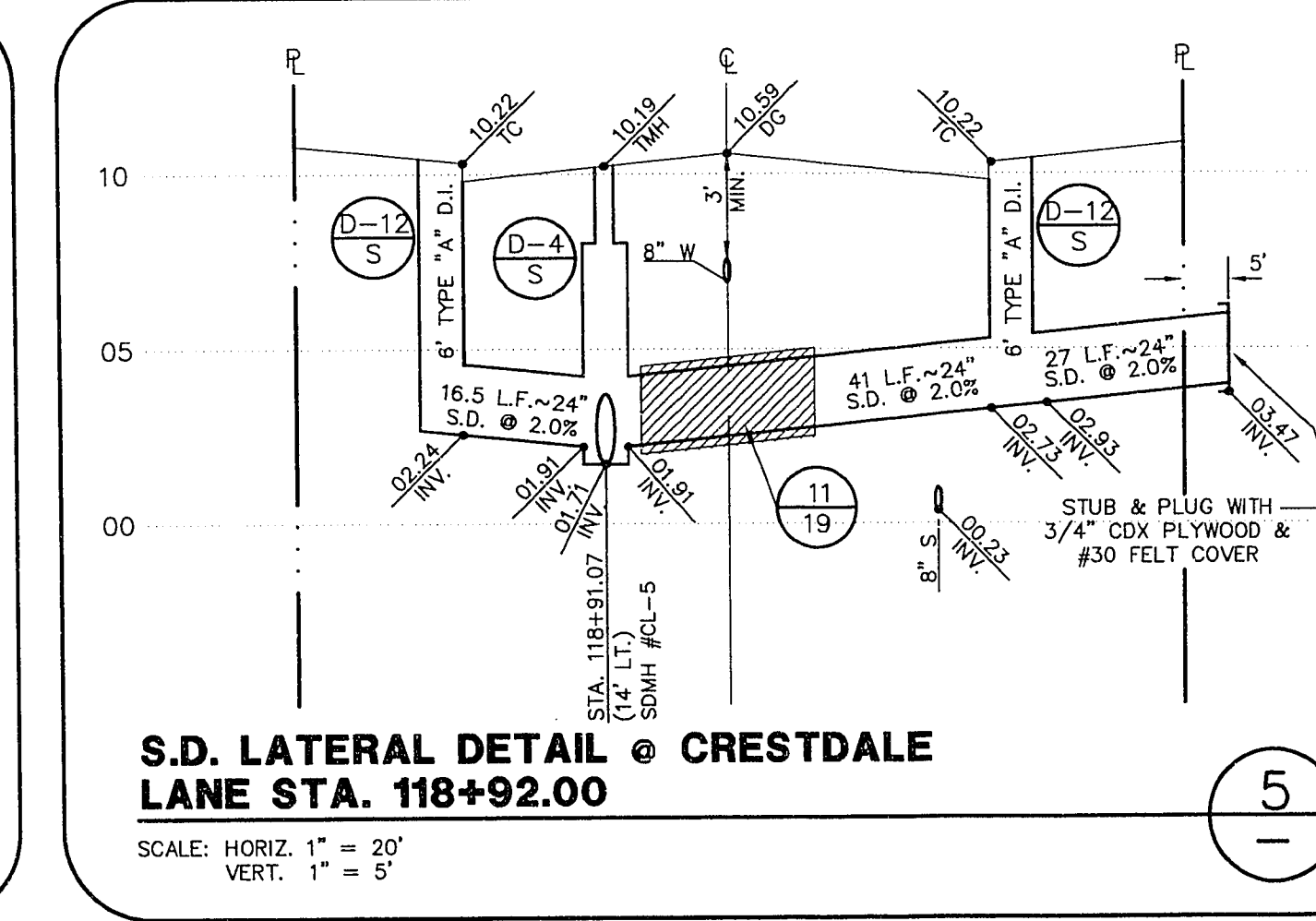
2



**WATER LATERAL DETAIL @ CRESTDALE
LANE STA. 116+01.00**

SCALE: HORIZ. 1" = 20'
VERT. 1" = 5'

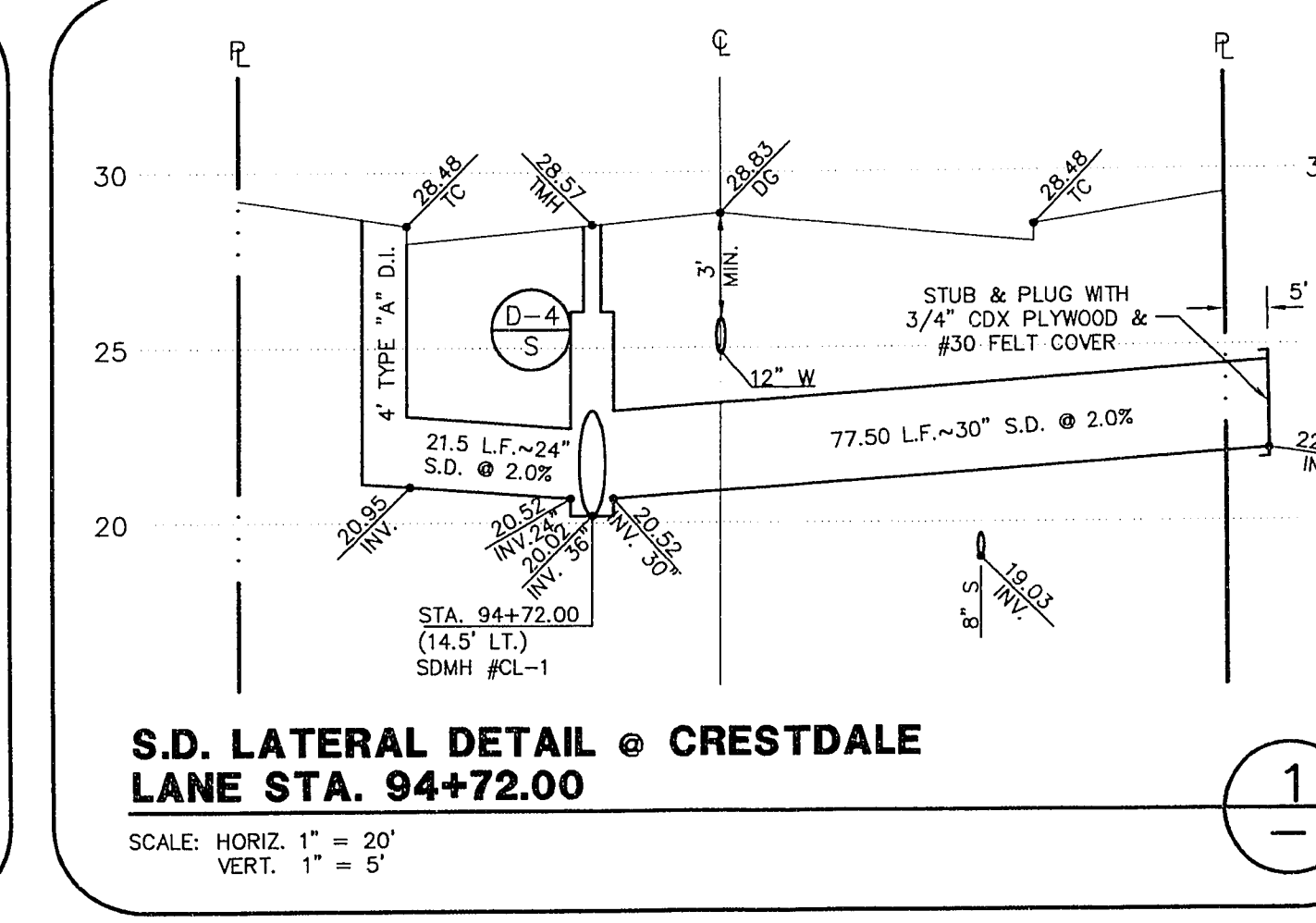
9



**S.D. LATERAL DETAIL @ CRESTDALE
LANE STA. 118+92.00**

SCALE: HORIZ. 1" = 20'
VERT. 1" = 5'

5



**S.D. LATERAL DETAIL @ CRESTDALE
LANE STA. 94+72.00**

SCALE: HORIZ. 1" = 20'
VERT. 1" = 5'

1

G.C. WALLACE, INC.
 Engineering/Architecture
 1555 SOUTH RANNEY BLVD./LAS VEGAS, NEVADA 89106

DATE	REVISION	DESCRIPTION	DATE	REVISION	DESCRIPTION

SUMMERLIN
VILLAGE 8 UNIT 3 IMPROVEMENTS
STORM DRAIN, SEWER, AND
WATER LATERAL DETAILS

SHEET
17
 SH17 OF 20

THESE PLANS ISSUED FOR GRADING ONLY 11-09-94

21-2-136107-V2239