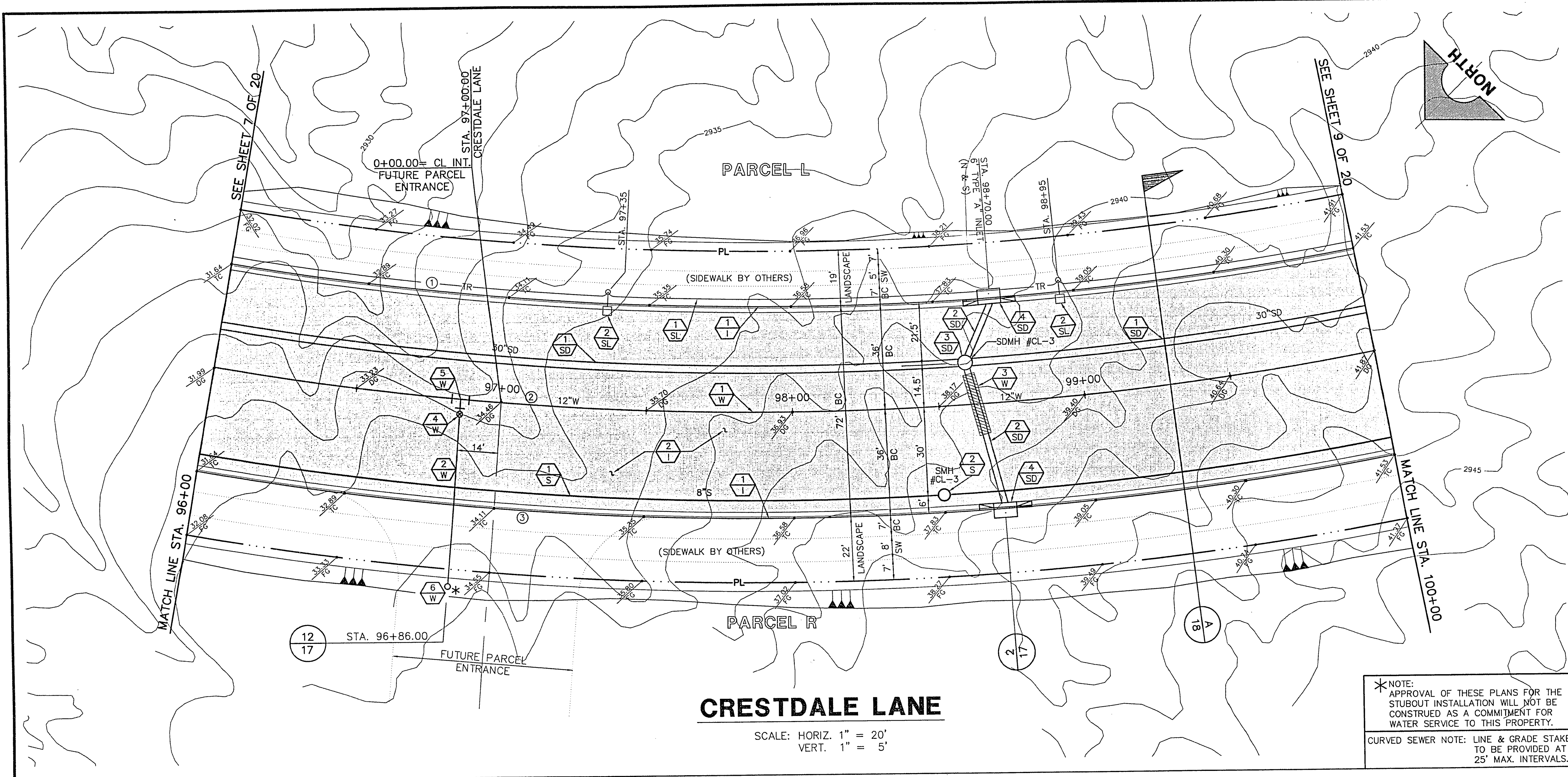


JOB NO. 62008.203

S.T.S. CD-2.DWG. 11/03/94



CRESTDALE LANE

SCALE: HORIZ. 1" = 20'
VERT. 1" = 5'

*NOTE: APPROVAL OF THESE PLANS FOR THE STUBOUT INSTALLATION WILL NOT BE CONSTRUED AS A COMMITMENT FOR WATER SERVICE TO THIS PROPERTY.
CURVED SEWER NOTE: LINE & GRADE STAKES TO BE PROVIDED AT 25' MAX. INTERVALS.

CURVE DATA ① INDICATES CURVE NUMBER

NO.	DELTA	RADIUS	LENGTH	TANGENT
1	20°50'05"	1064.00'	386.91'	195.61'
2	20°50'05"	1100.00'	400.00'	202.23'
3	20°50'05"	1136.00'	413.09'	208.85'

NOTE: CURVE DATA REPRESENTS PARTIAL CURVE, THIS SHEET ONLY.

CONSTRUCTION NOTES

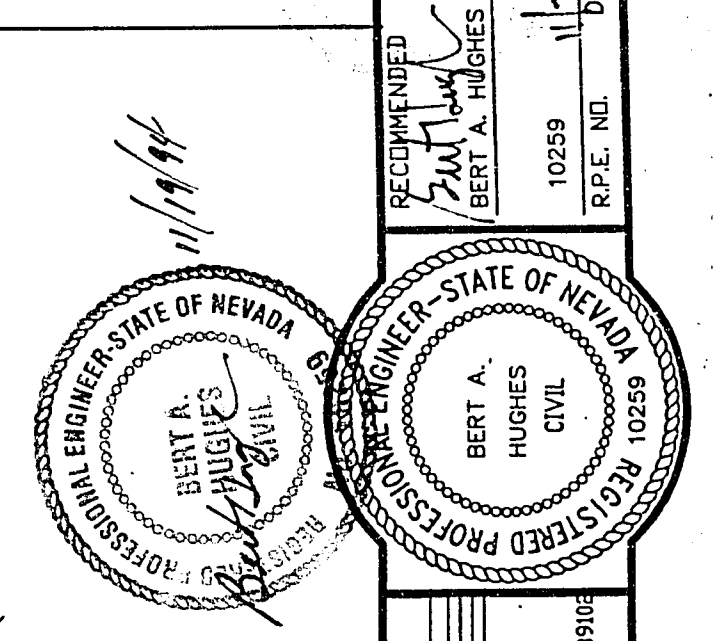
- IMPROVEMENTS**
- ① INSTALL "L" TYPE CURB & GUTTER (S-47)
 - ② INSTALL AC PAVEMENT PER STREET SECTIONS SHEET NO. 18

- SEWER**
- ① INSTALL 8" SEWER PIPE (U-20 S)
 - ② INSTALL SEWER MANHOLE (SD1-8 CLV)

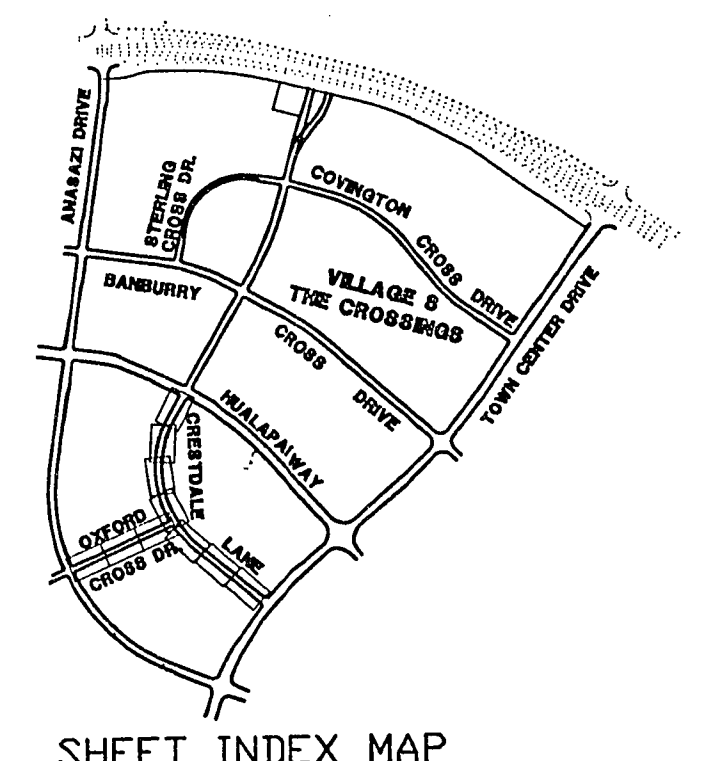
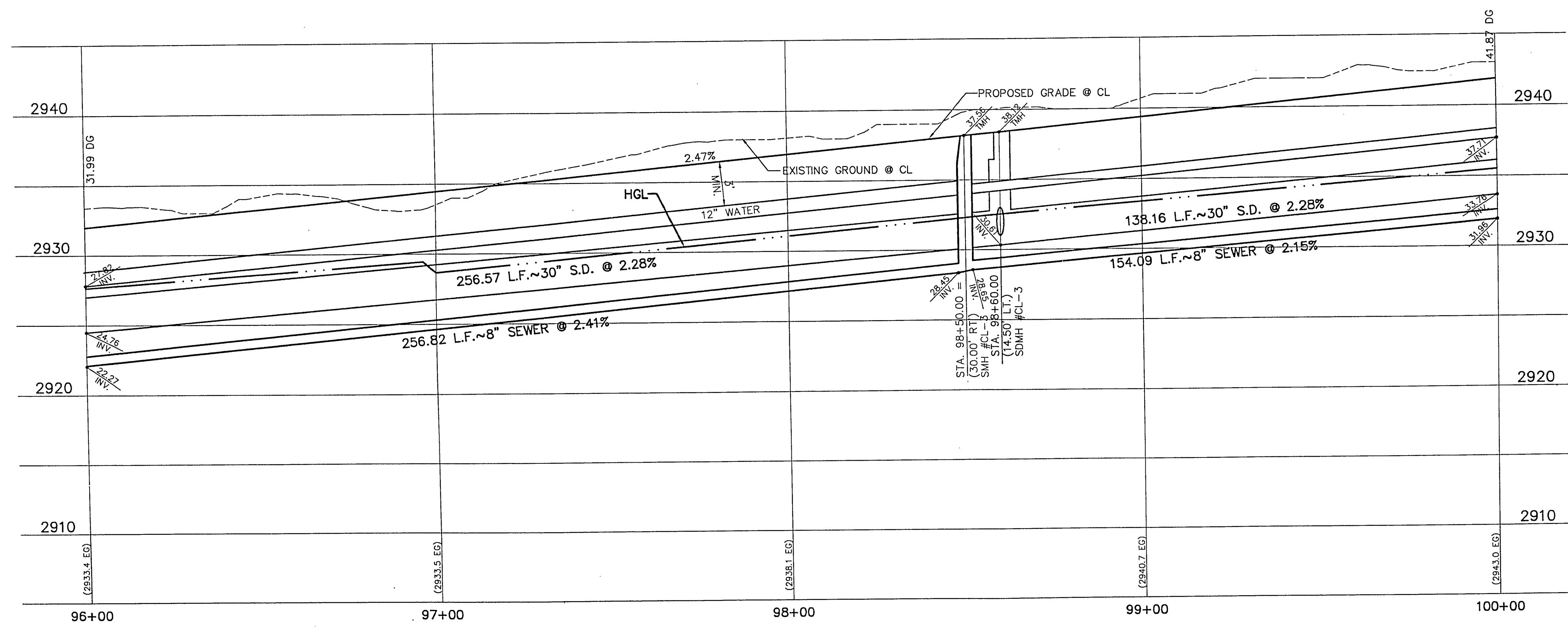
- WATER**
- ① INSTALL 12" WATER PIPE (U-20 S)
 - ② INSTALL 8" WATER PIPE (U-20 S)
 - ③ INSTALL CONC. ENCASUREMENT (11 19)
 - ④ INSTALL 8" GATE VALVE
 - ⑤ INSTALL 12" X 12" X 8" TEE
 - ⑥ INSTALL TEMP. 2" BLOWOFF ASSEMBLY

- STORM DRAIN**
- ① INSTALL 30" STORM DRAIN PIPE (1350-D) (U-20 S)
 - ② INSTALL 24" STORM DRAIN PIPE (1350-D) (U-20 S)
 - ③ INSTALL TYPE IV STORM DRAIN MANHOLE (0.2,3,4 S)
 - ④ INSTALL TYPE "A" DROP INLET

- STREET LIGHTING**
- ① STREET LIGHT OR COMMON TRENCH, SEE ELECTRICAL PLANS
 - ② INSTALL STREET LIGHT, SEE ELECTRICAL PLANS (E-2 S)



G.C. WALLACE, INC.
Engineering/Architecture



APPROVAL:
LAS VEGAS VALLEY WATER DISTRICT

SUMMERLIN VILLAGE 8 UNIT 3 IMPROVEMENTS
CRESTDALE LANE
PLAN & PROFILE
STA. 96+00 TO STA. 100+00
THESE PLANS ISSUED FOR GRADING ONLY 11-09-94

SHEET
8
SHT 8 OF 20

21-2-107 107-V 2289