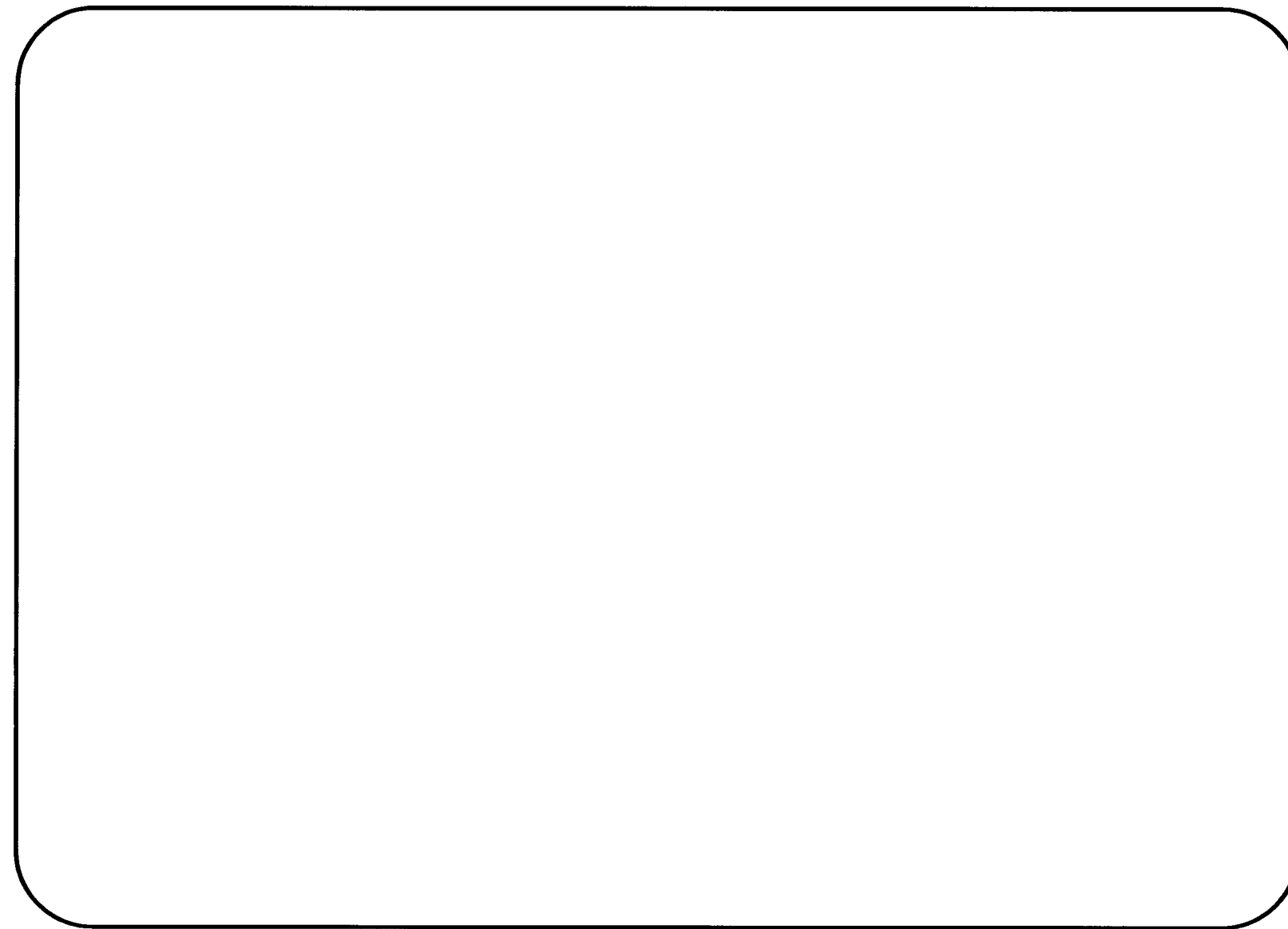


JOB NO. 92008.201

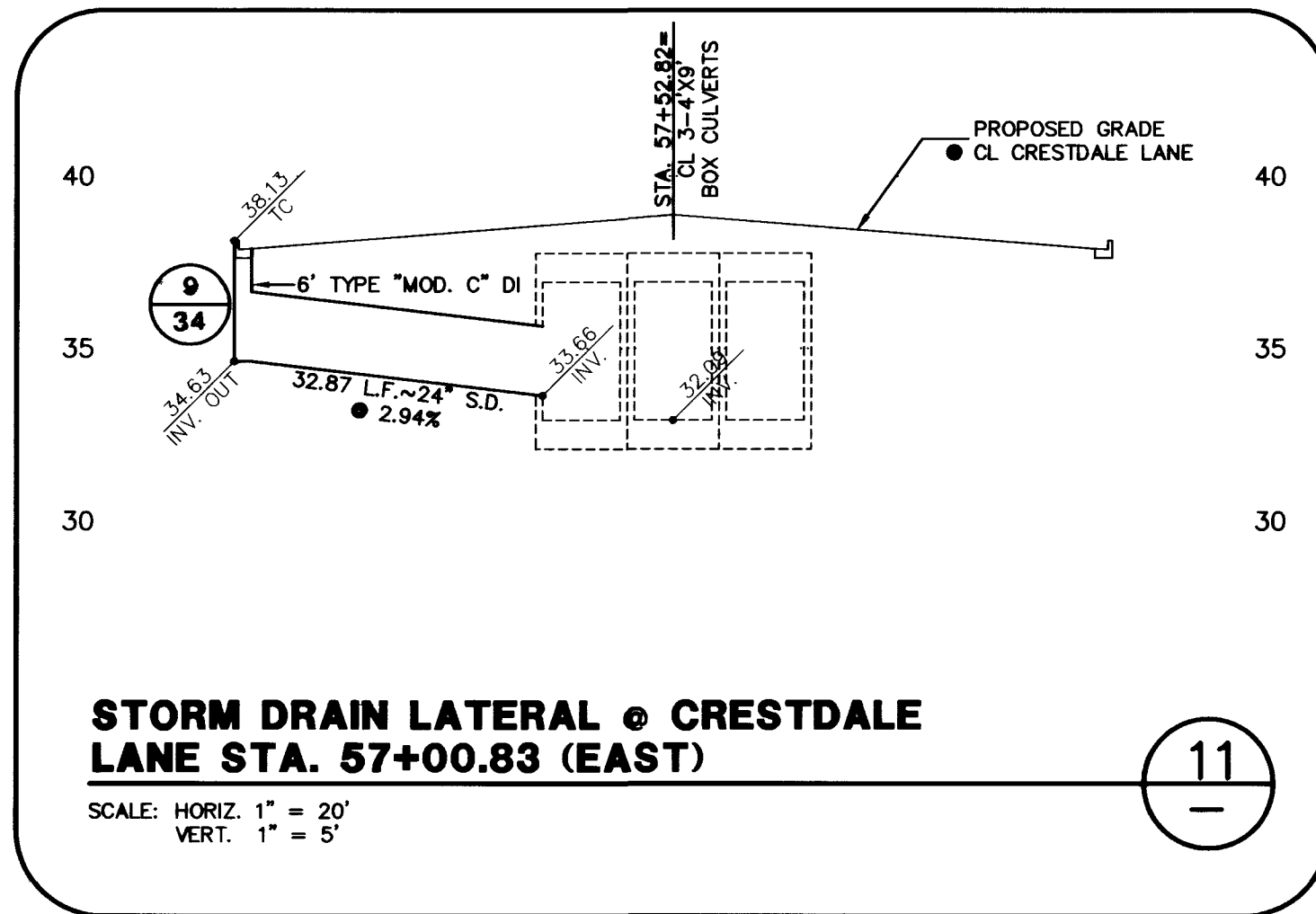
S.T.S., SD-LAT.DWG, 09/12/94



STORM DRAIN LATERAL @ CRESDALE LANE STA. 57+00.83 (WEST)

SCALE: HORIZ. 1" = 20'
VERT. 1" = 5'

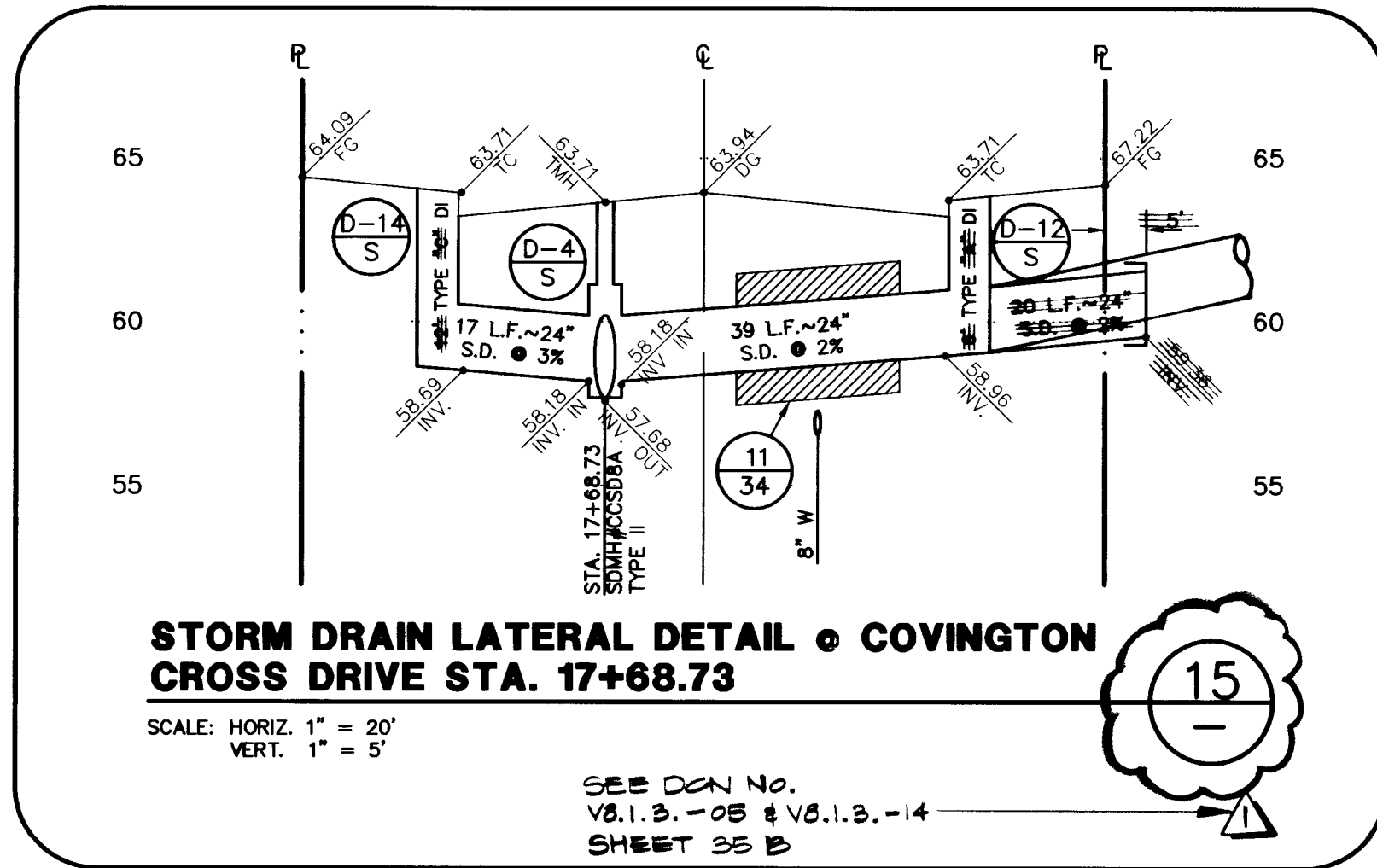
12



STORM DRAIN LATERAL @ CRESDALE LANE STA. 57+00.83 (EAST)

SCALE: HORIZ. 1" = 20'
VERT. 1" = 5'

11

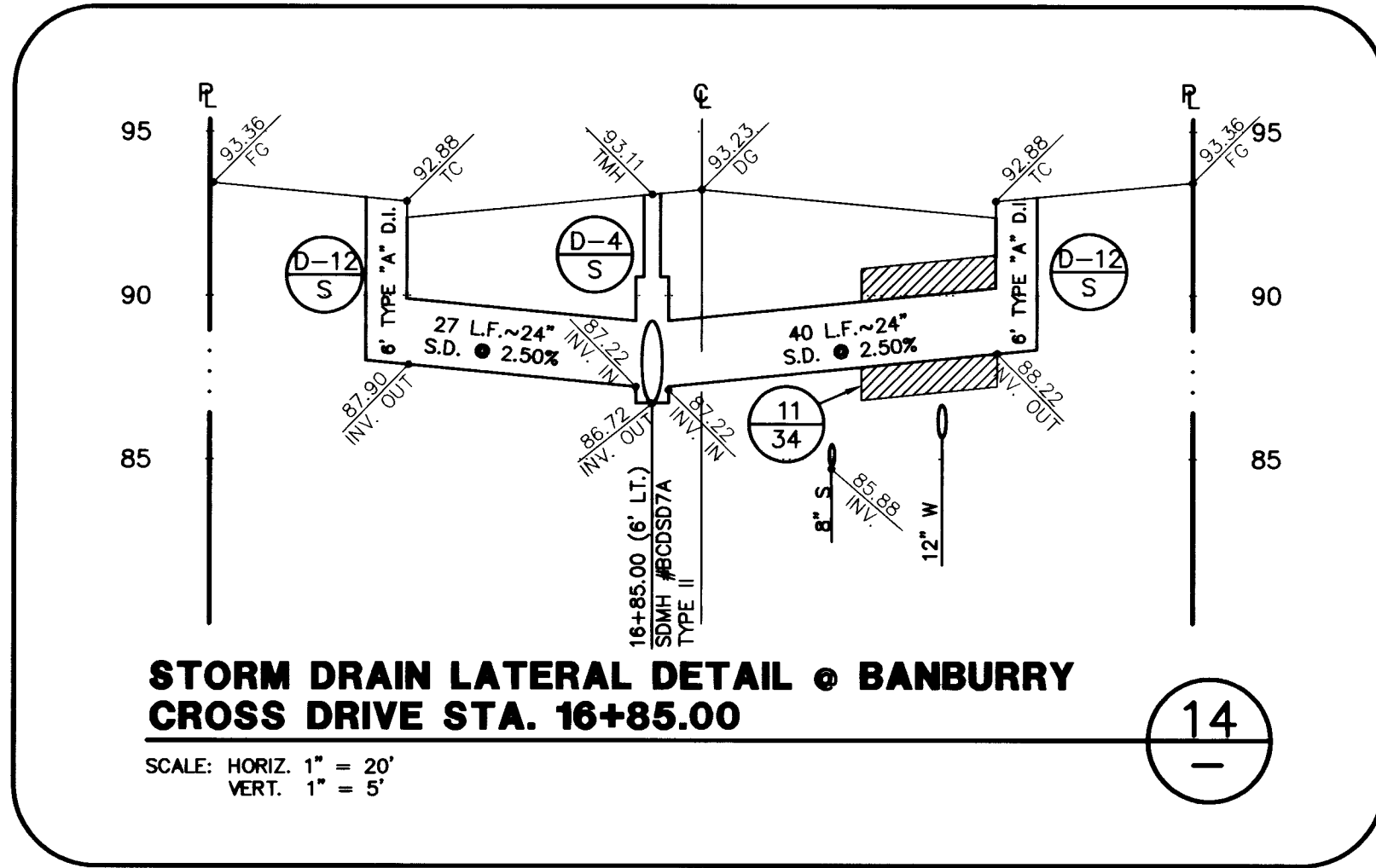


STORM DRAIN LATERAL DETAIL @ COVINGTON CROSS DRIVE STA. 17+68.73

SCALE: HORIZ. 1" = 20'
VERT. 1" = 5'

SEE CON. NO. V8.1.3.-05 & V8.1.3.-14 SHEET 35 B

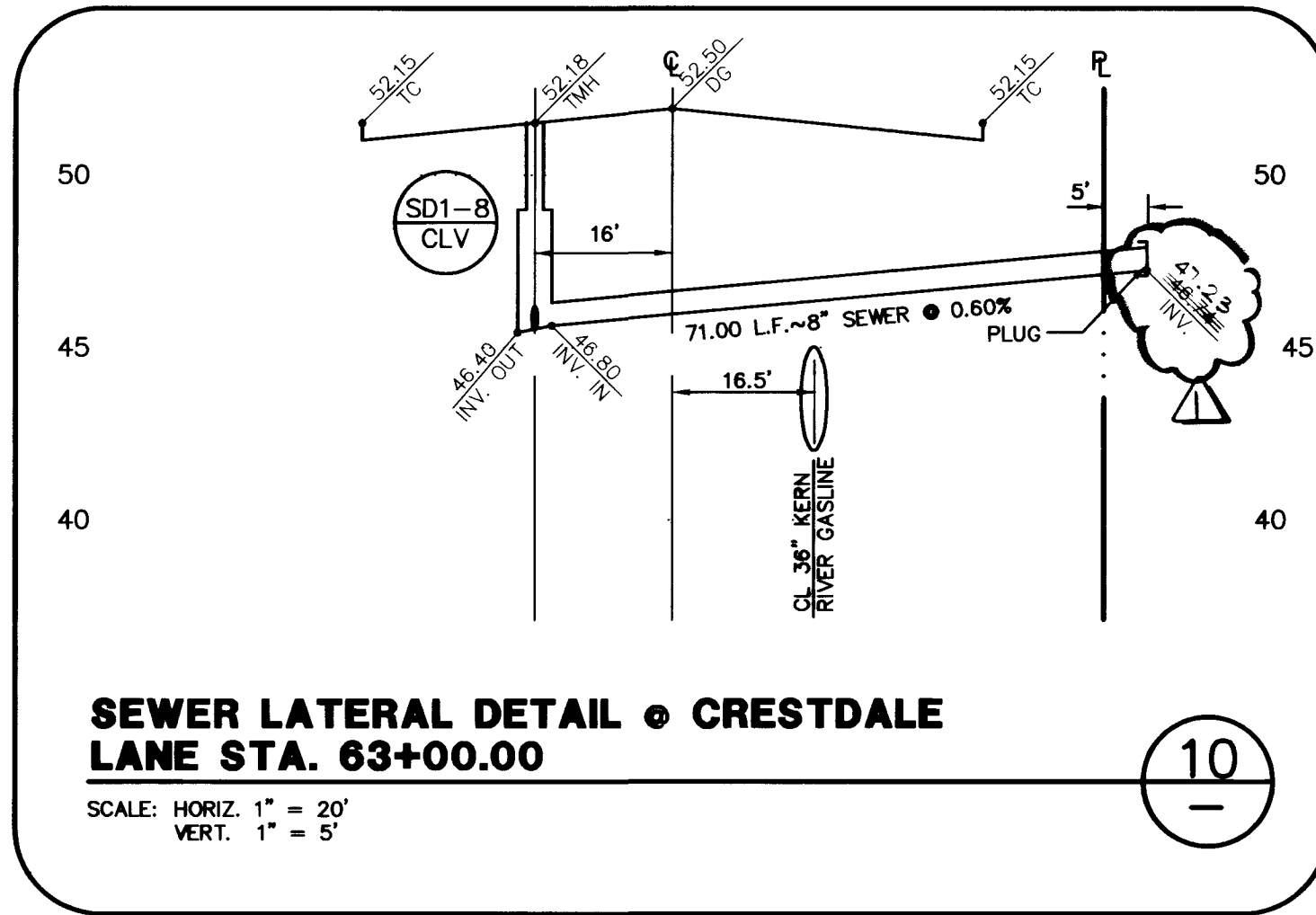
15



STORM DRAIN LATERAL DETAIL @ BANBURY CROSS DRIVE STA. 16+85.00

SCALE: HORIZ. 1" = 20'
VERT. 1" = 5'

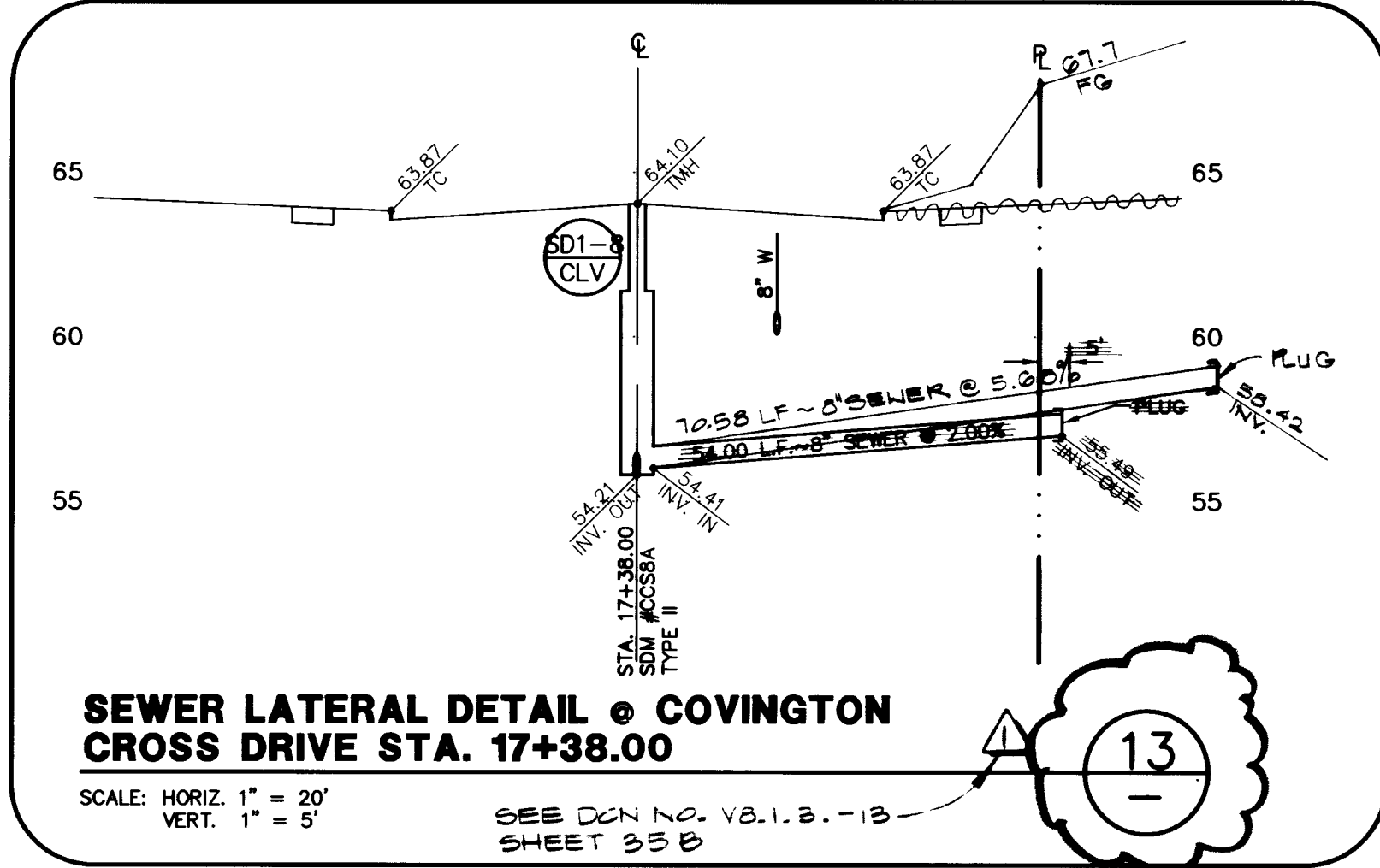
14



SEWER LATERAL DETAIL @ CRESDALE LANE STA. 63+00.00

SCALE: HORIZ. 1" = 20'
VERT. 1" = 5'

10

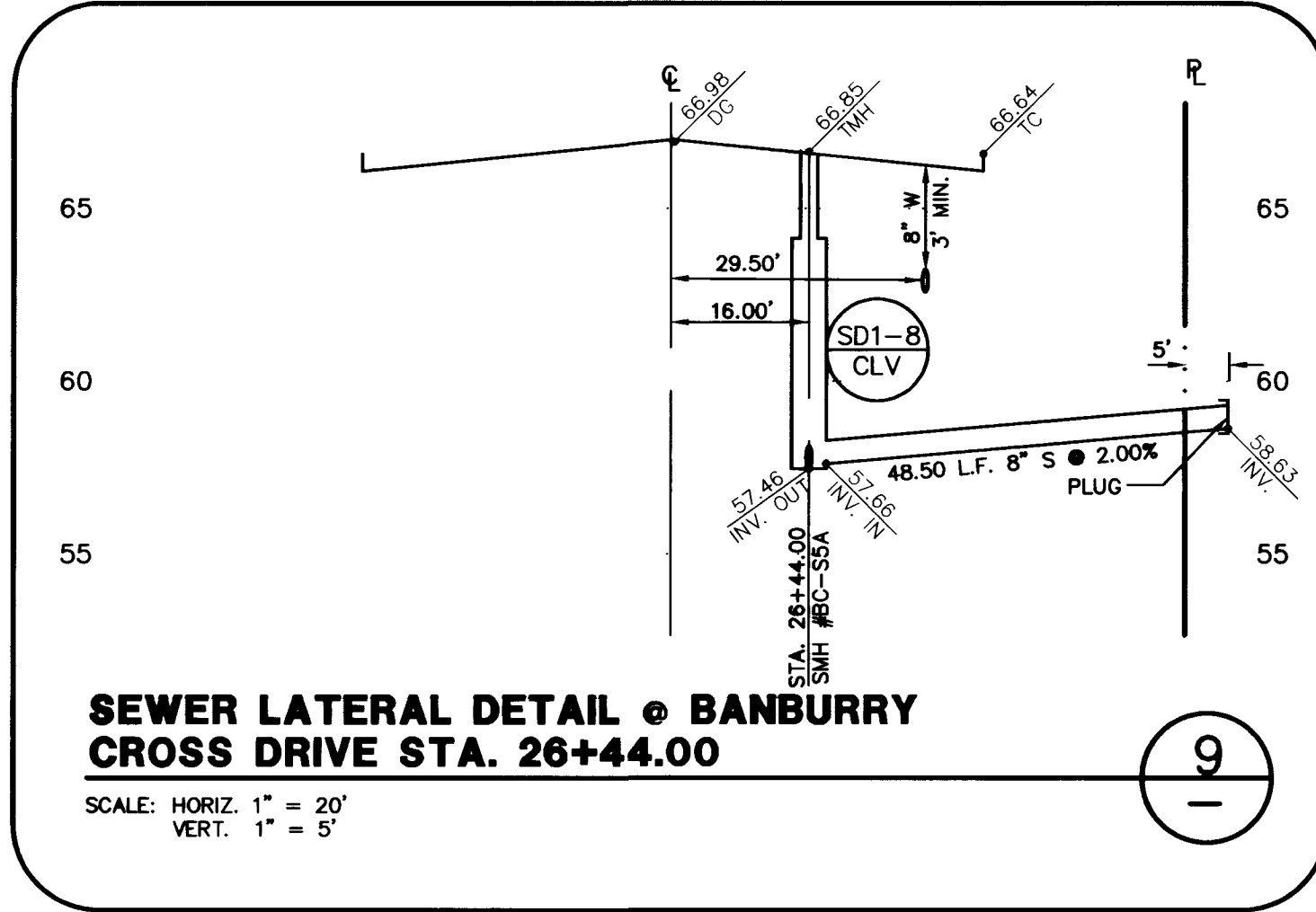


SEWER LATERAL DETAIL @ COVINGTON CROSS DRIVE STA. 17+38.00

SCALE: HORIZ. 1" = 20'
VERT. 1" = 5'

SEE CON. NO. V8.1.3.-13 SHEET 35 B

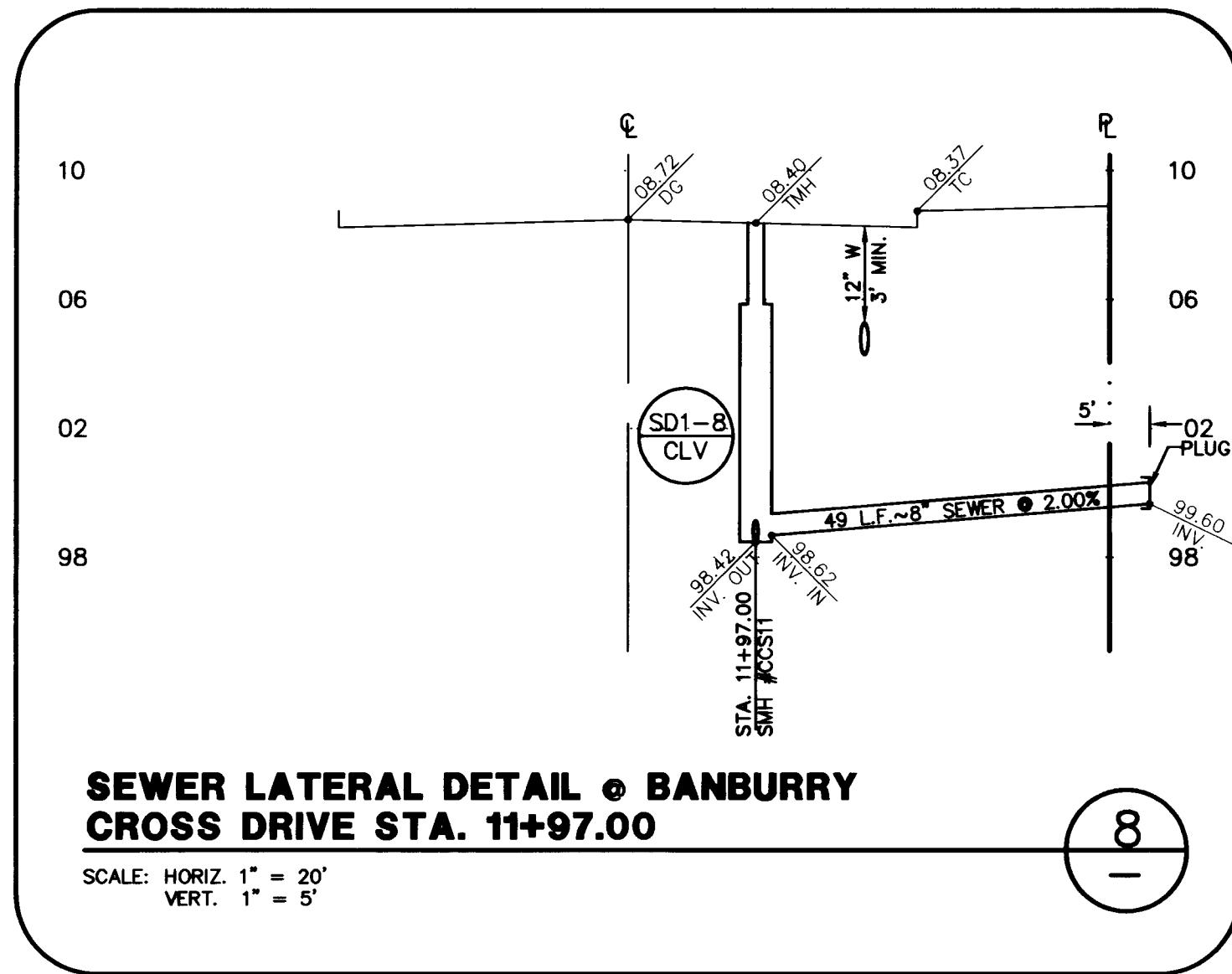
13



SEWER LATERAL DETAIL @ BANBURY CROSS DRIVE STA. 26+44.00

SCALE: HORIZ. 1" = 20'
VERT. 1" = 5'

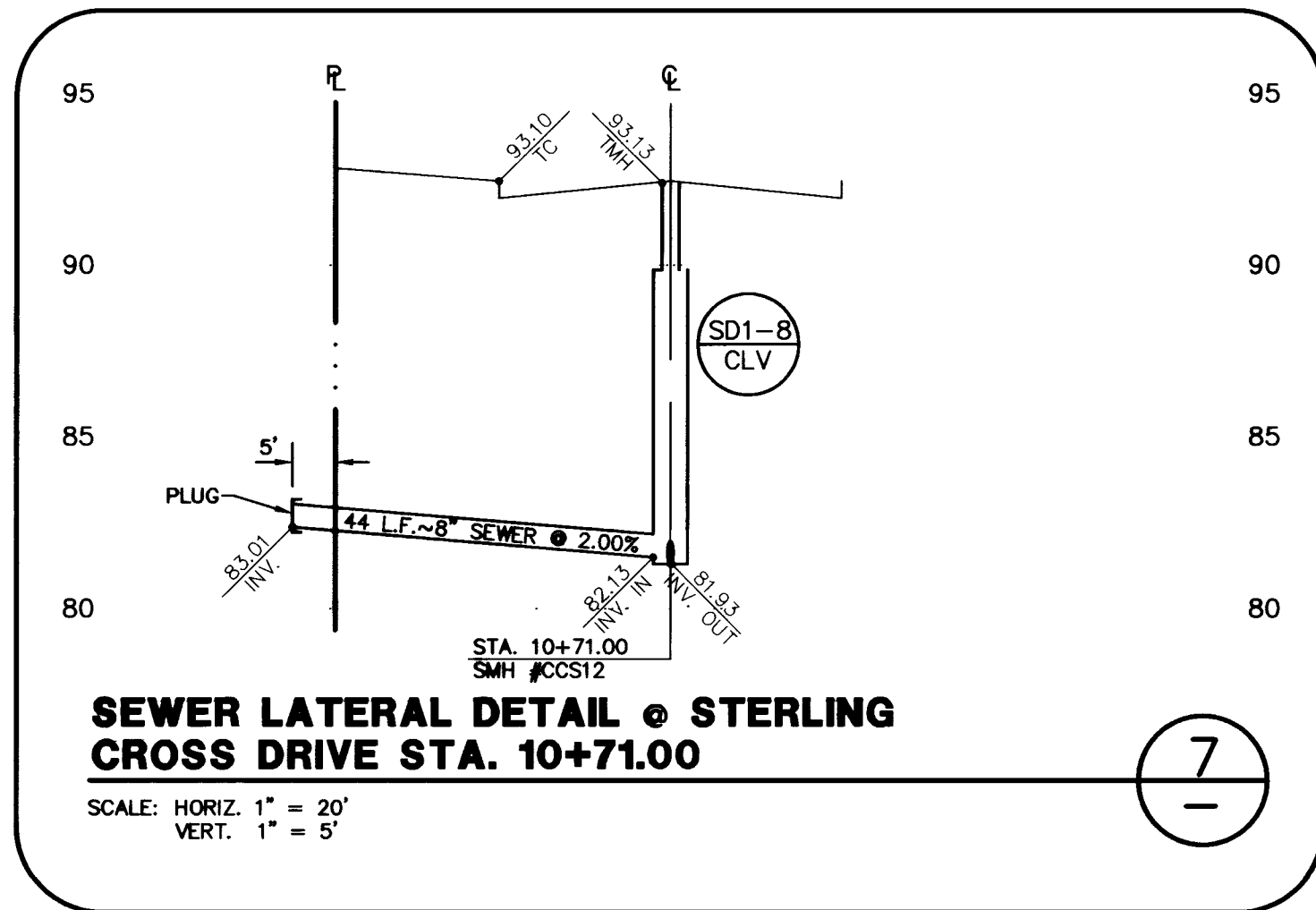
9



SEWER LATERAL DETAIL @ BANBURY CROSS DRIVE STA. 11+97.00

SCALE: HORIZ. 1" = 20'
VERT. 1" = 5'

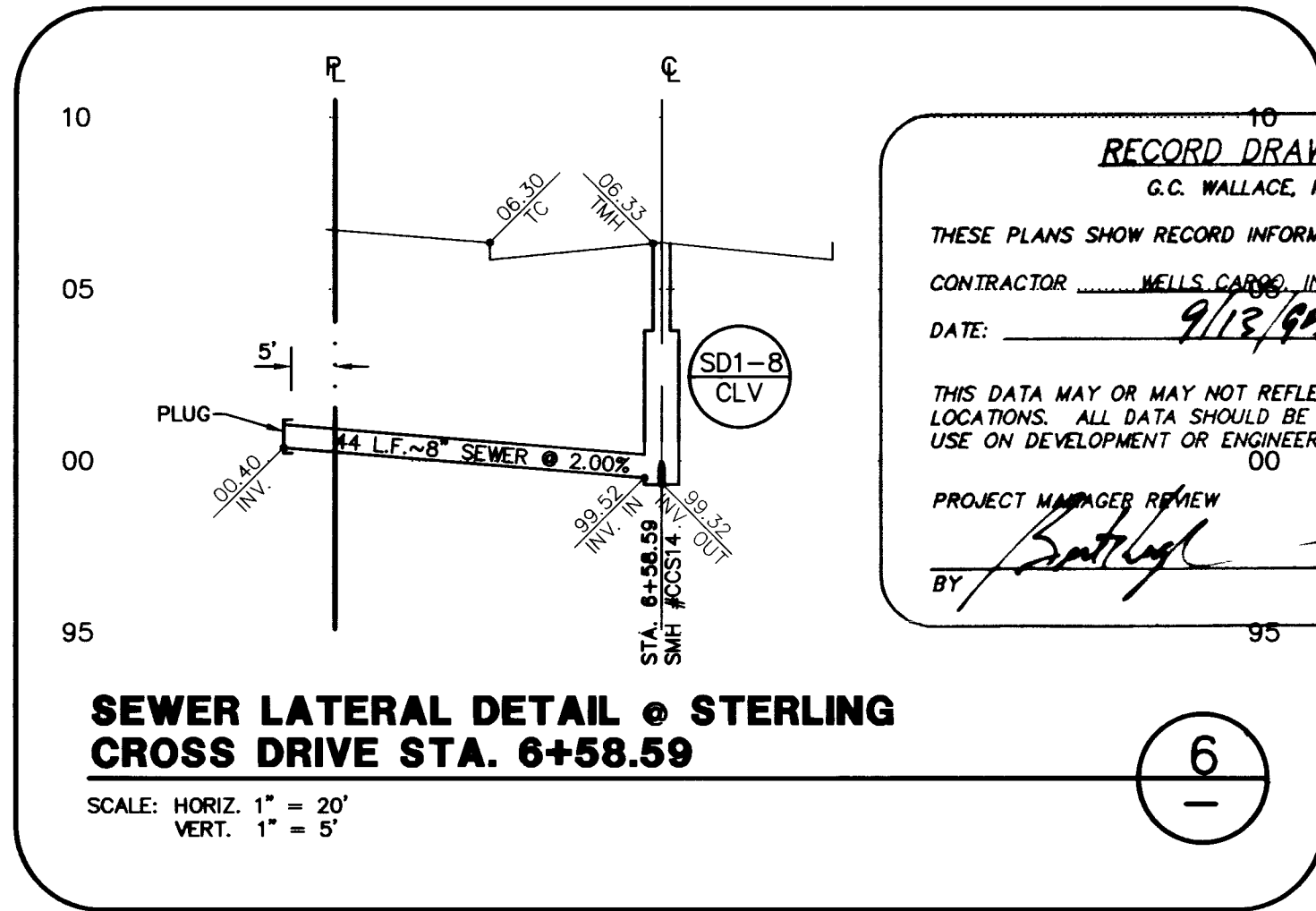
8



SEWER LATERAL DETAIL @ STERLING CROSS DRIVE STA. 10+71.00

SCALE: HORIZ. 1" = 20'
VERT. 1" = 5'

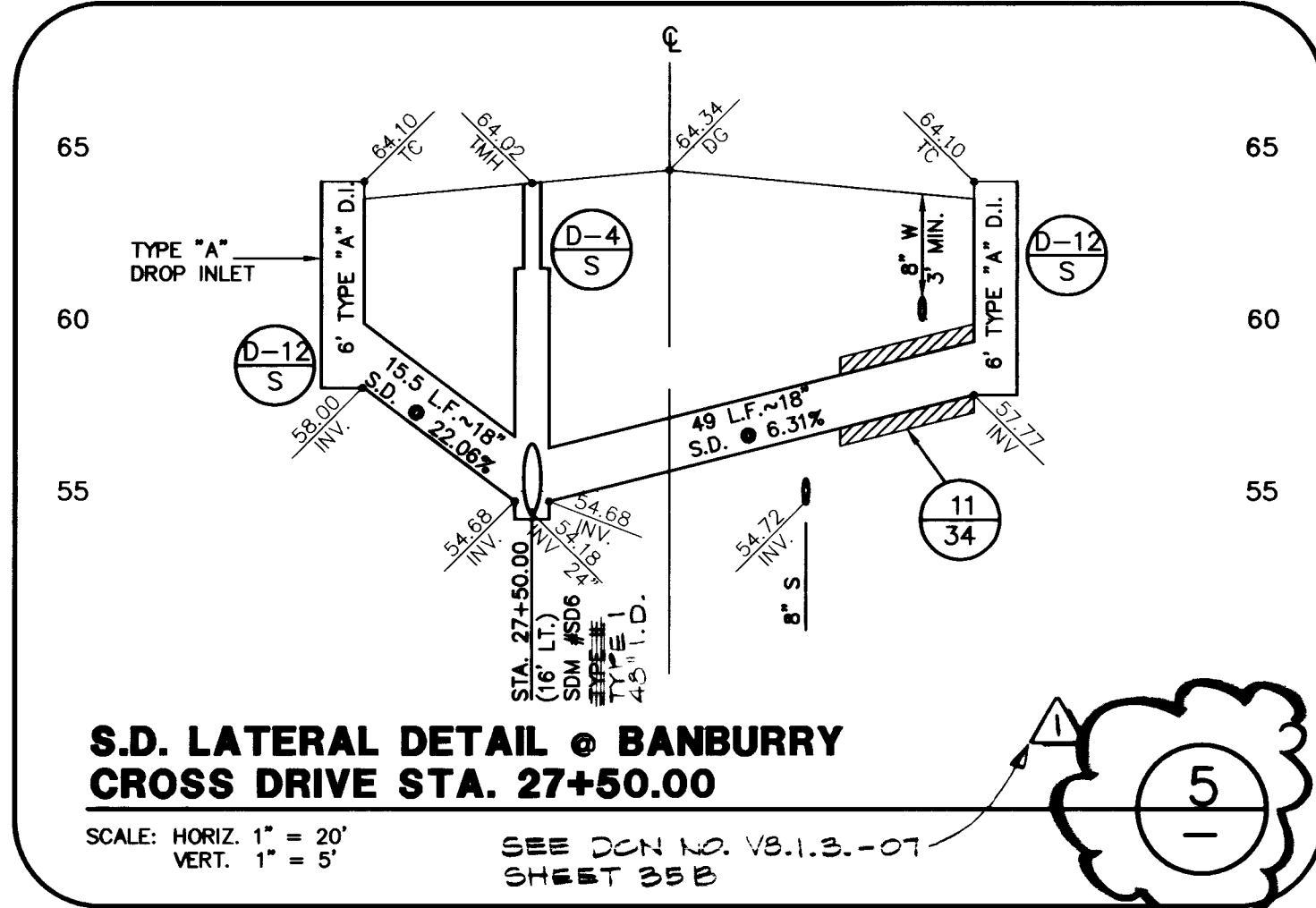
7



SEWER LATERAL DETAIL @ STERLING CROSS DRIVE STA. 6+58.59

SCALE: HORIZ. 1" = 20'
VERT. 1" = 5'

6

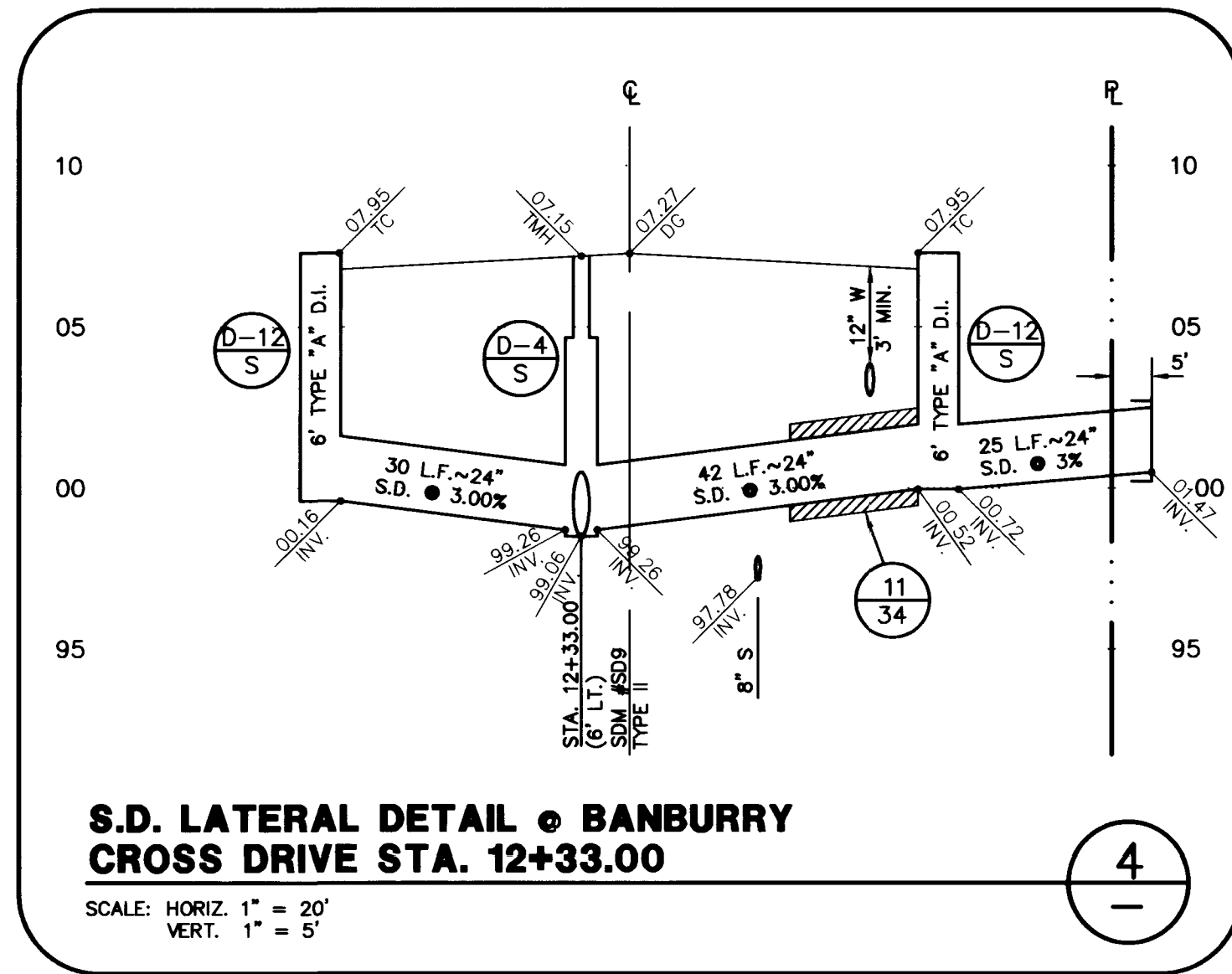


S.D. LATERAL DETAIL @ BANBURY CROSS DRIVE STA. 27+50.00

SCALE: HORIZ. 1" = 20'
VERT. 1" = 5'

SEE CON. NO. V8.1.3.-07 SHEET 35 B

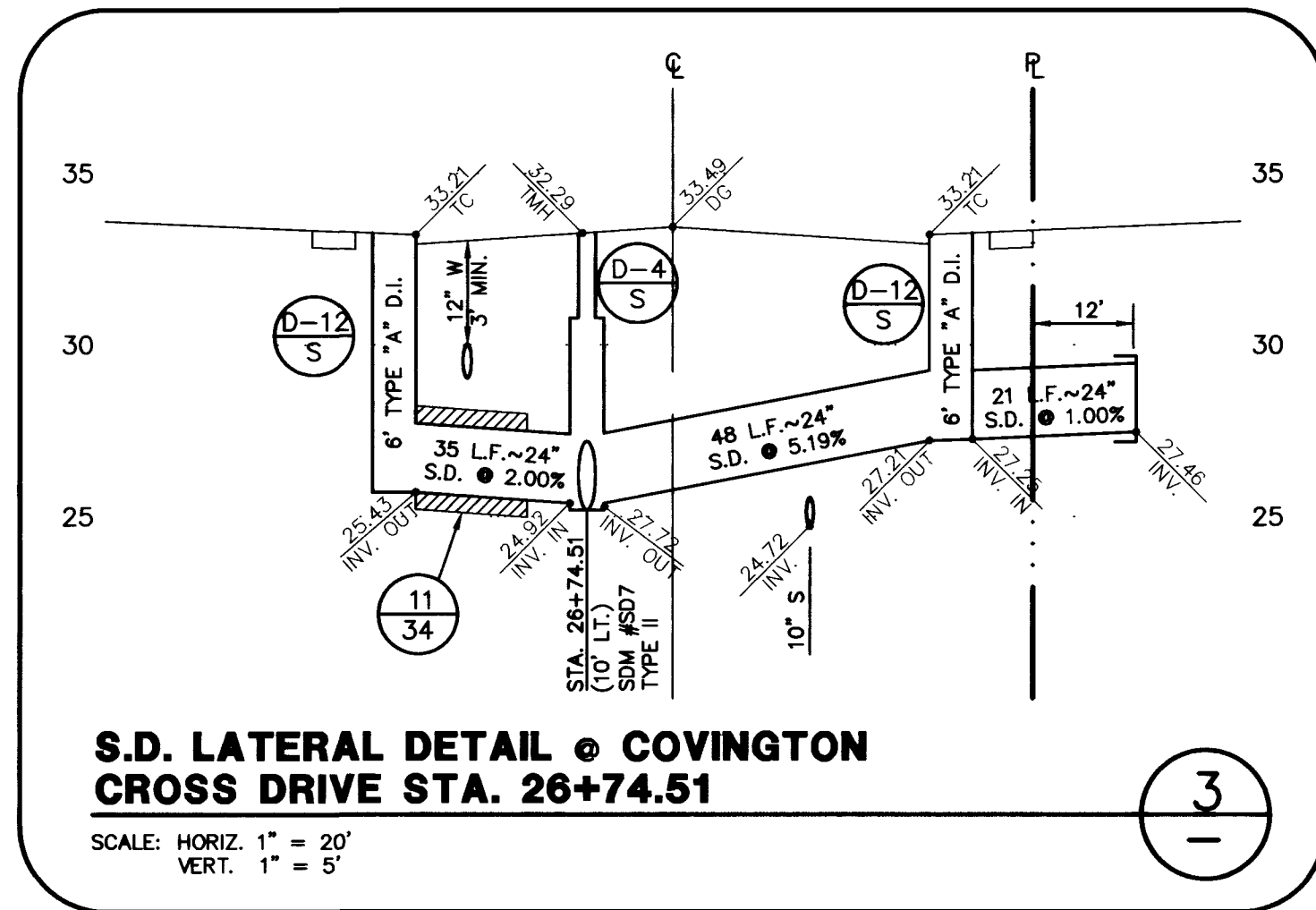
5



S.D. LATERAL DETAIL @ BANBURY CROSS DRIVE STA. 12+33.00

SCALE: HORIZ. 1" = 20'
VERT. 1" = 5'

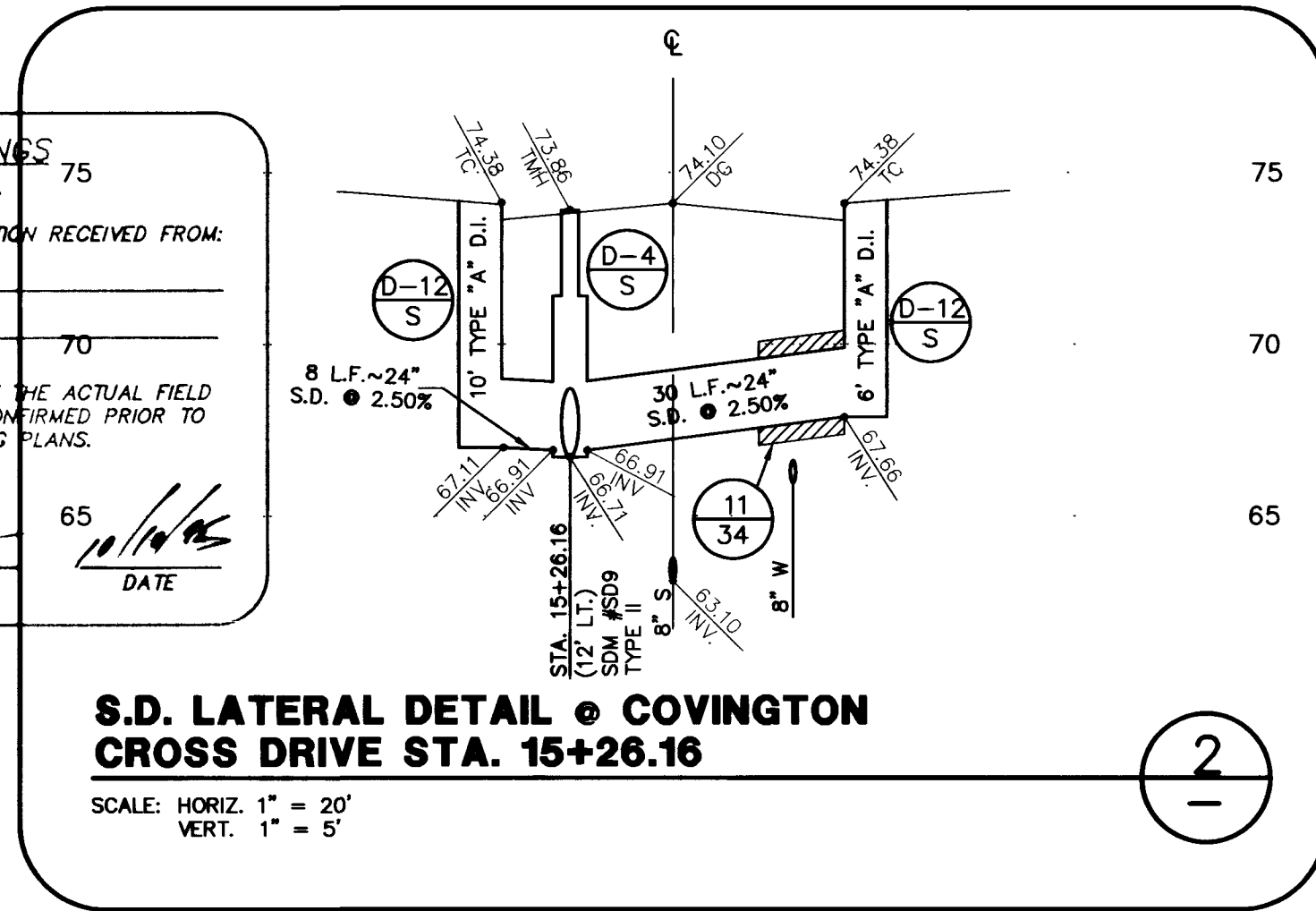
4



S.D. LATERAL DETAIL @ COVINGTON CROSS DRIVE STA. 26+74.51

SCALE: HORIZ. 1" = 20'
VERT. 1" = 5'

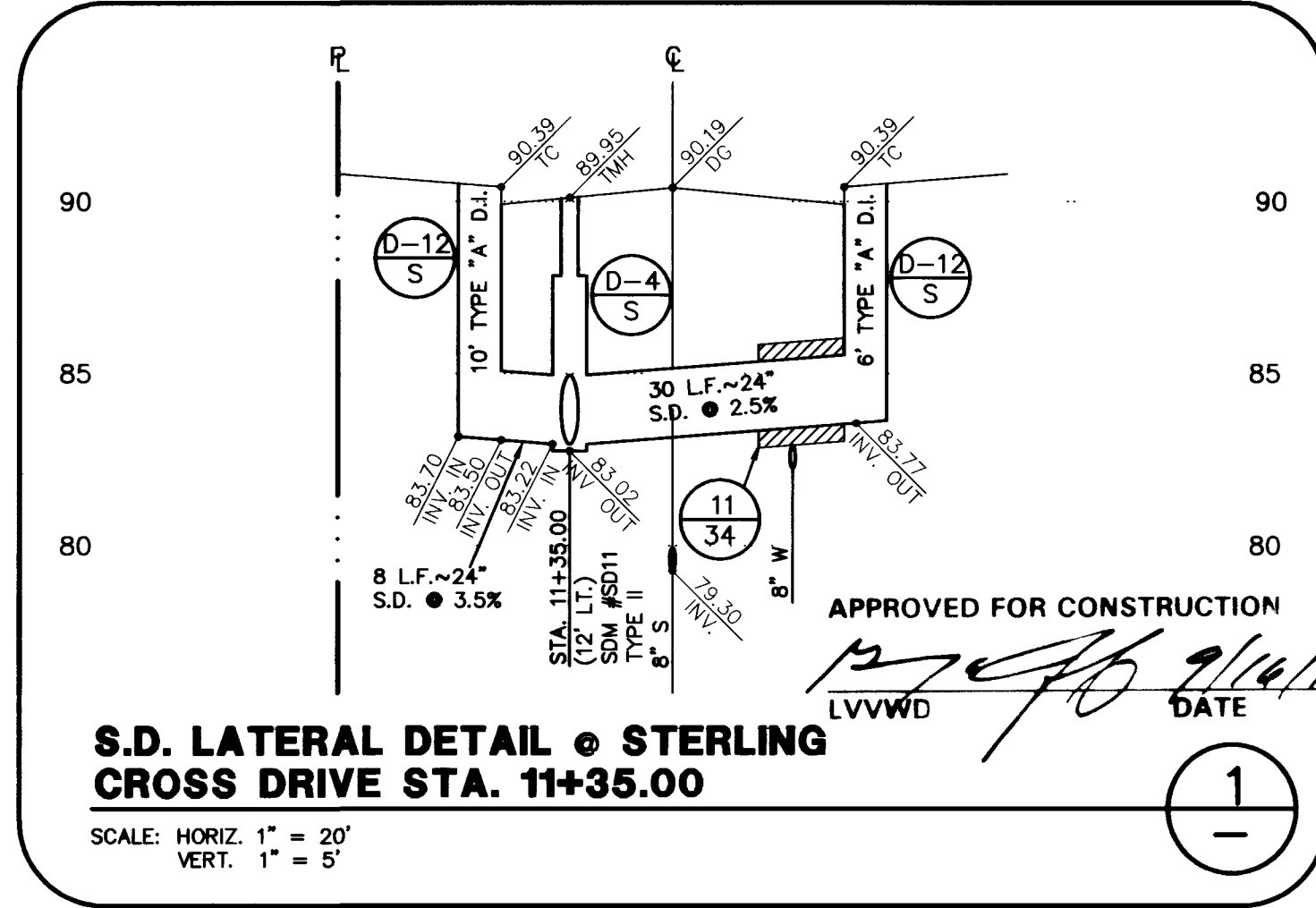
3



S.D. LATERAL DETAIL @ COVINGTON CROSS DRIVE STA. 15+26.16

SCALE: HORIZ. 1" = 20'
VERT. 1" = 5'

2



S.D. LATERAL DETAIL @ STERLING CROSS DRIVE STA. 11+35.00

SCALE: HORIZ. 1" = 20'
VERT. 1" = 5'

1

RECORD DRAWINGS
G.C. WALLACE, INC.
THESE PLANS SHOW RECORD INFORMATION RECEIVED FROM:
CONTRACTOR: WELLS CARR, INC.
DATE: 9/18/99
THIS DATA MAY OR MAY NOT REFLECT THE ACTUAL FIELD LOCATIONS. ALL DATA SHOULD BE CONFIRMED PRIOR TO USE ON DEVELOPMENT OR ENGINEERING PLANS.
PROJECT MANAGER REVIEW
BY: [Signature] DATE: 10/1/99

REVISION	DATE	DESCRIPTION	APPROVAL
1		ISSUED FOR PERMITS	
2		CONDITION FOR CONSTRUCTION	
3		REVISED PER PERMITS	
4		REVISED PER PERMITS	
5		REVISED PER PERMITS	
6		REVISED PER PERMITS	
7		REVISED PER PERMITS	
8		REVISED PER PERMITS	
9		REVISED PER PERMITS	
10		REVISED PER PERMITS	
11		REVISED PER PERMITS	
12		REVISED PER PERMITS	
13		REVISED PER PERMITS	
14		REVISED PER PERMITS	
15		REVISED PER PERMITS	

SUMMERLIN VILLAGE 8 UNIT 1 PHASE 3 IMPROVEMENTS SEWER AND STORM DRAIN LATERAL DETAILS

G.C. WALLACE, INC.
Engineering/Architecture
1555 SOUTH RAINBOW BLVD., LAS VEGAS, NEVADA 89102