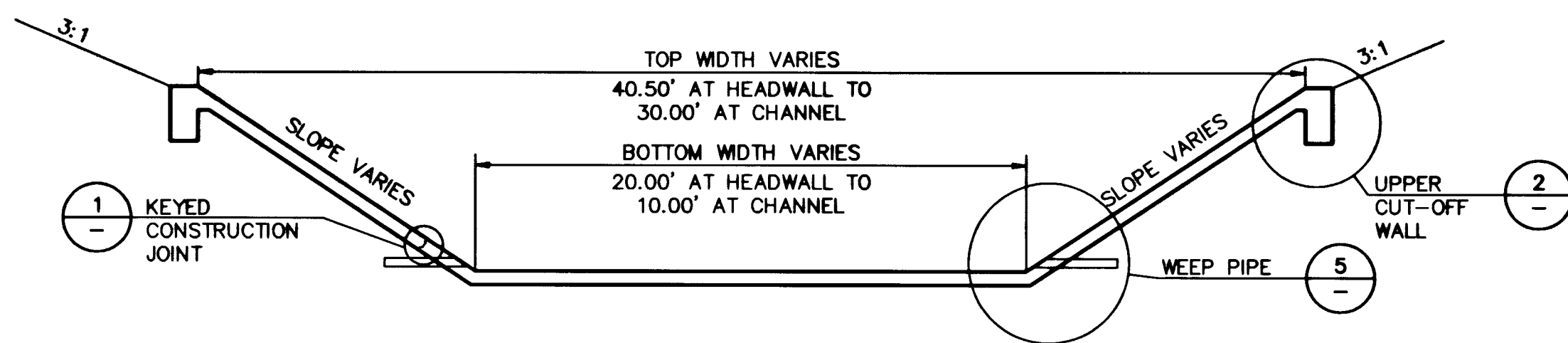


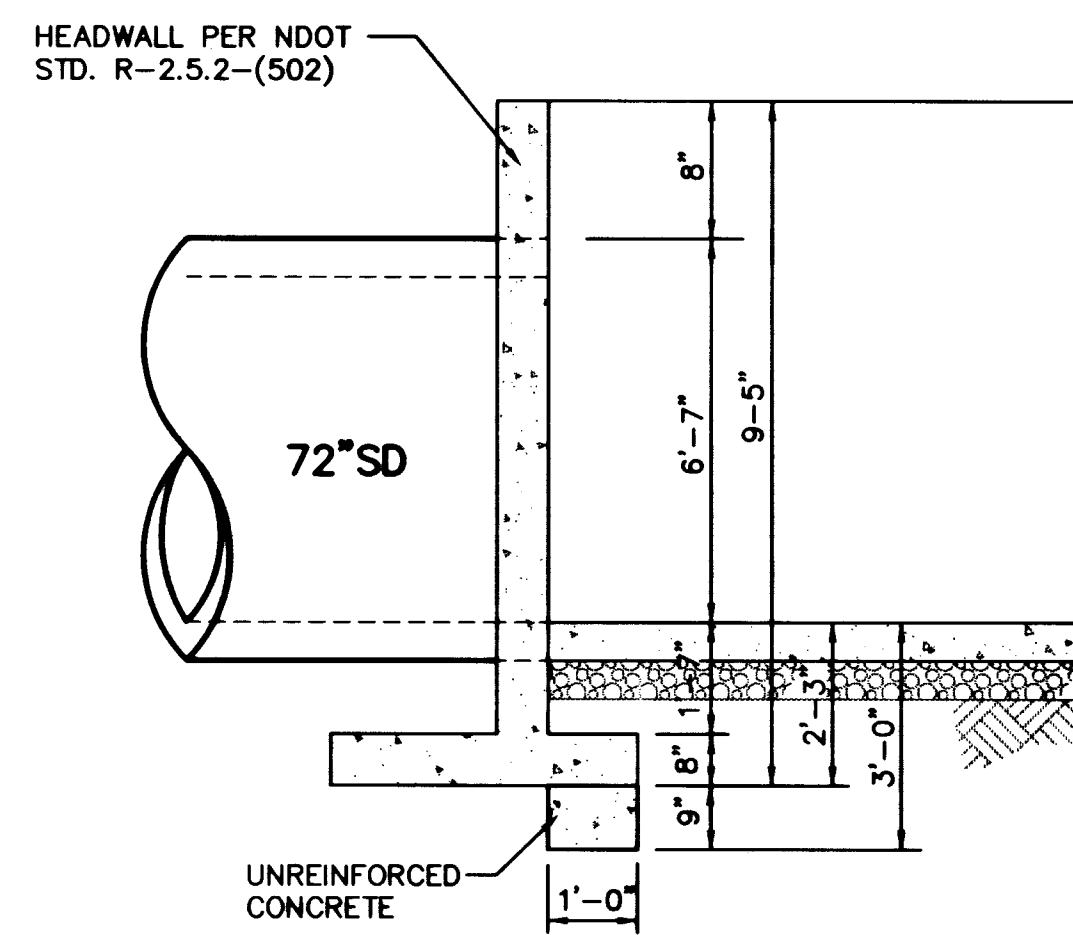
PLAN

SCALE: 1" = 20'



CONCRETE CHANNEL SECTION

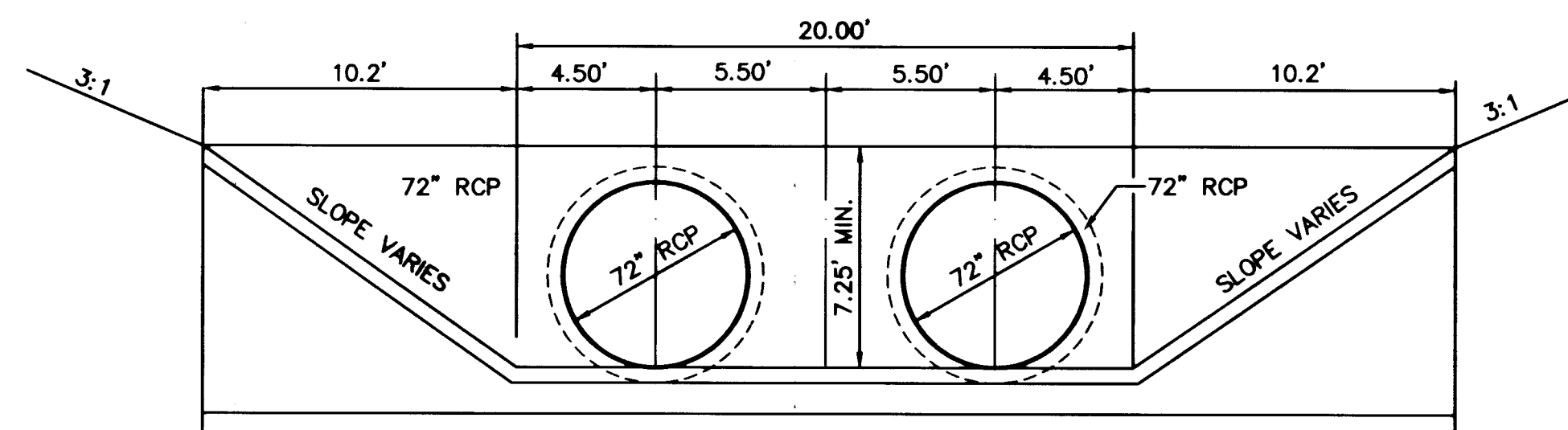
NOT TO SCALE



HEADWALL AND DEEPEMED FOOTING DETAIL

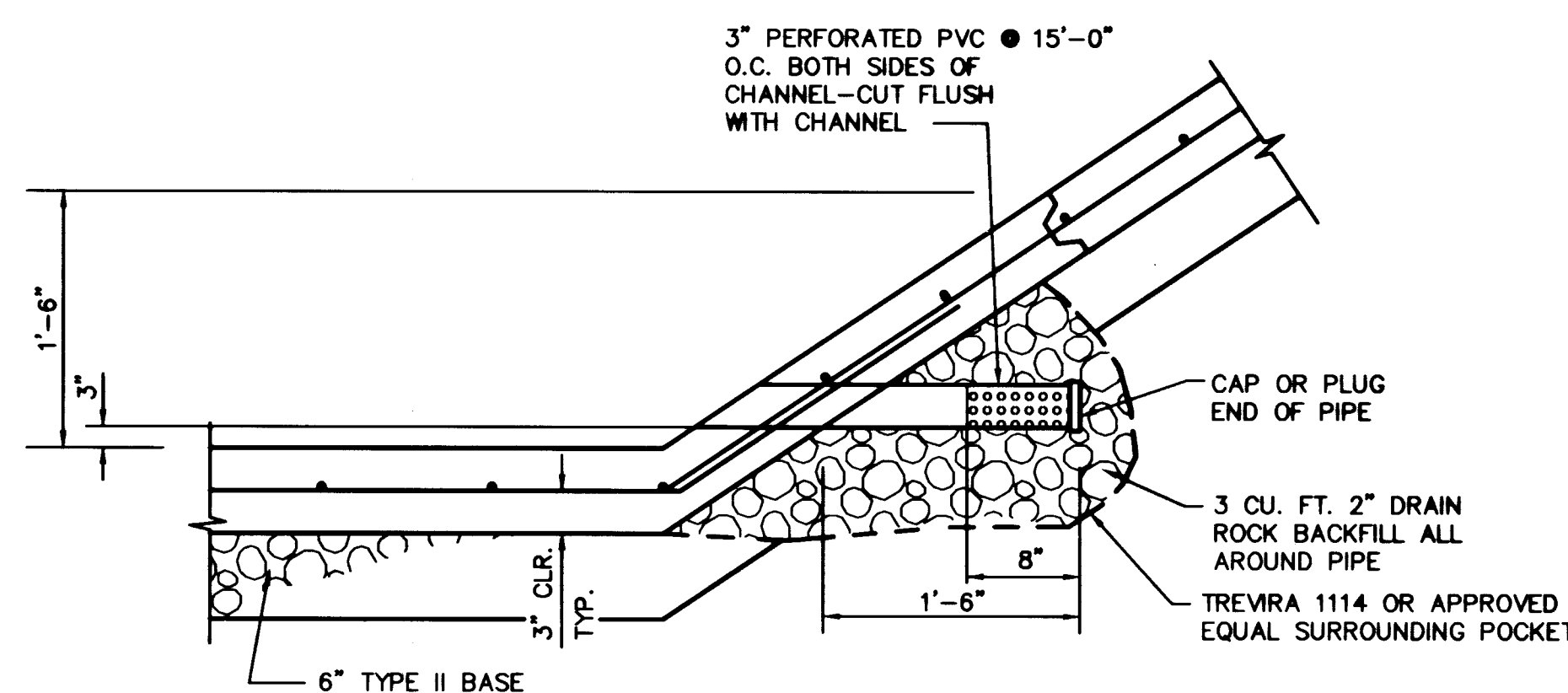
FOR 3-FOOT CUTOFF BARRIER
REQUIRED BY THE CITY OF LAS VEGAS
ADJACENT TO HEADWALL

NTS



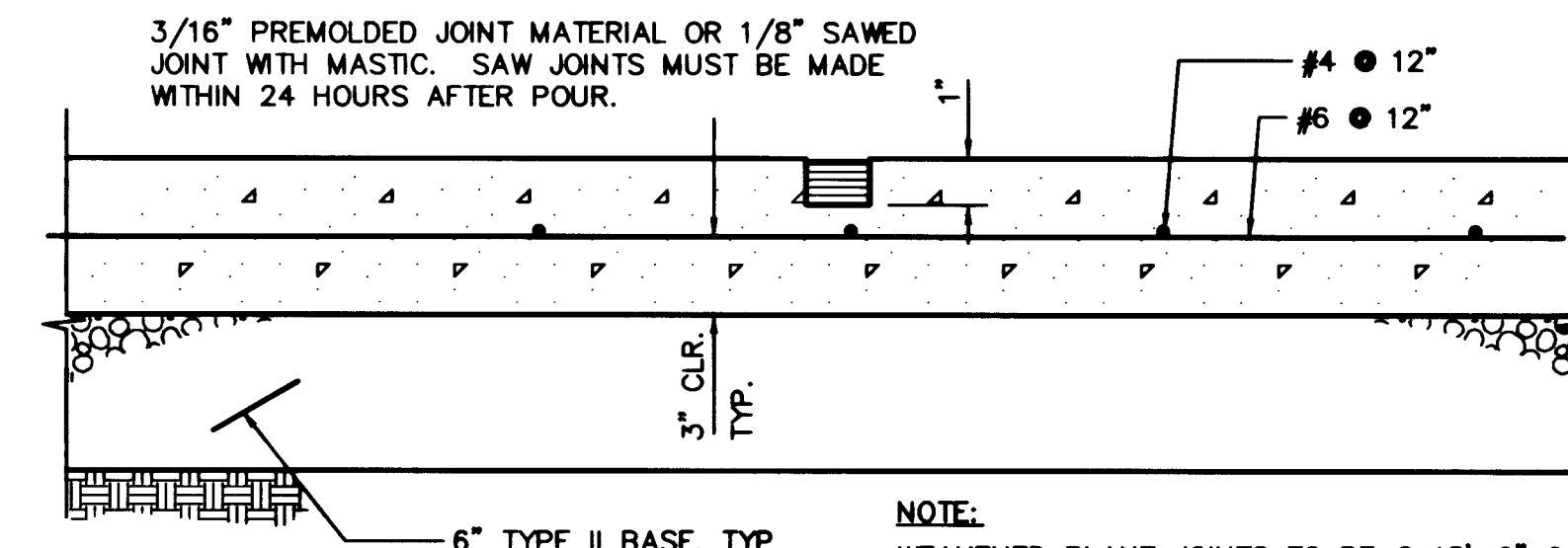
HEAD WALL DETAIL

NOT TO SCALE



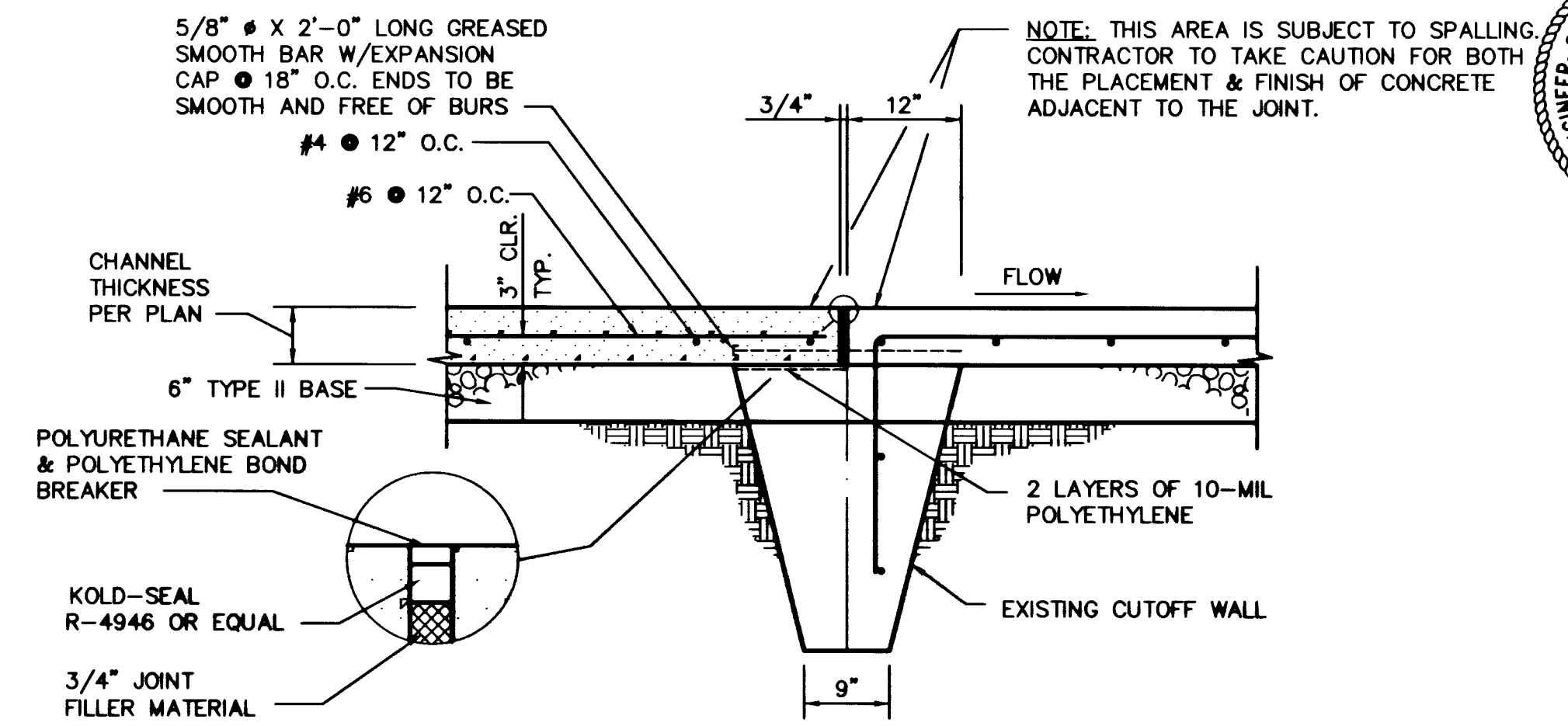
WEEP PIPE DETAIL

(REVERSE IS APPLICABLE)
NOT TO SCALE



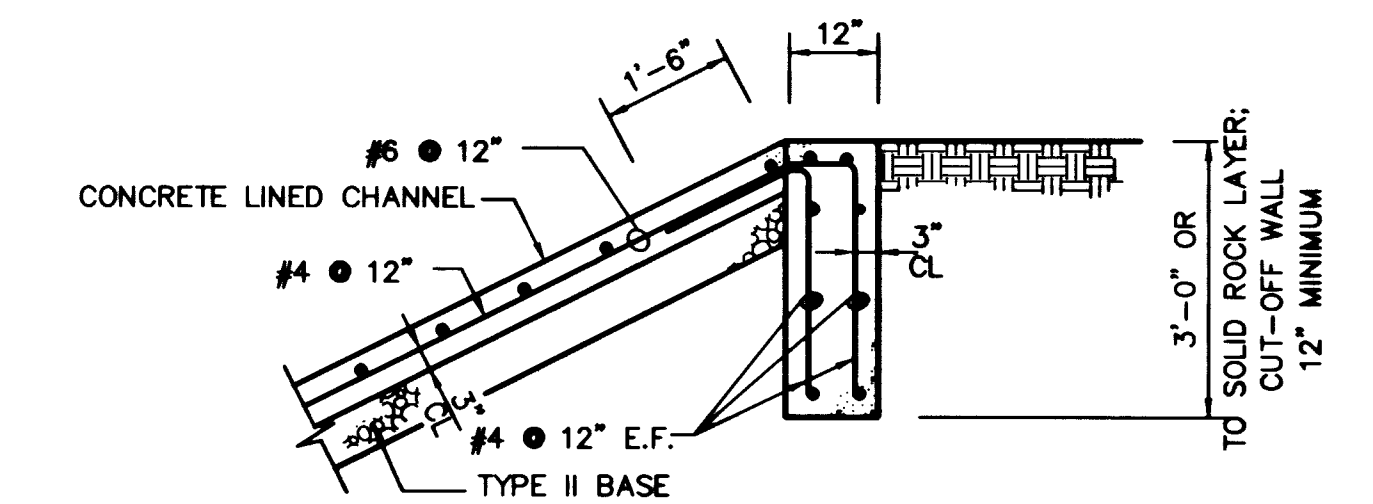
WEAKENED PLANE SECTION

NOT TO SCALE



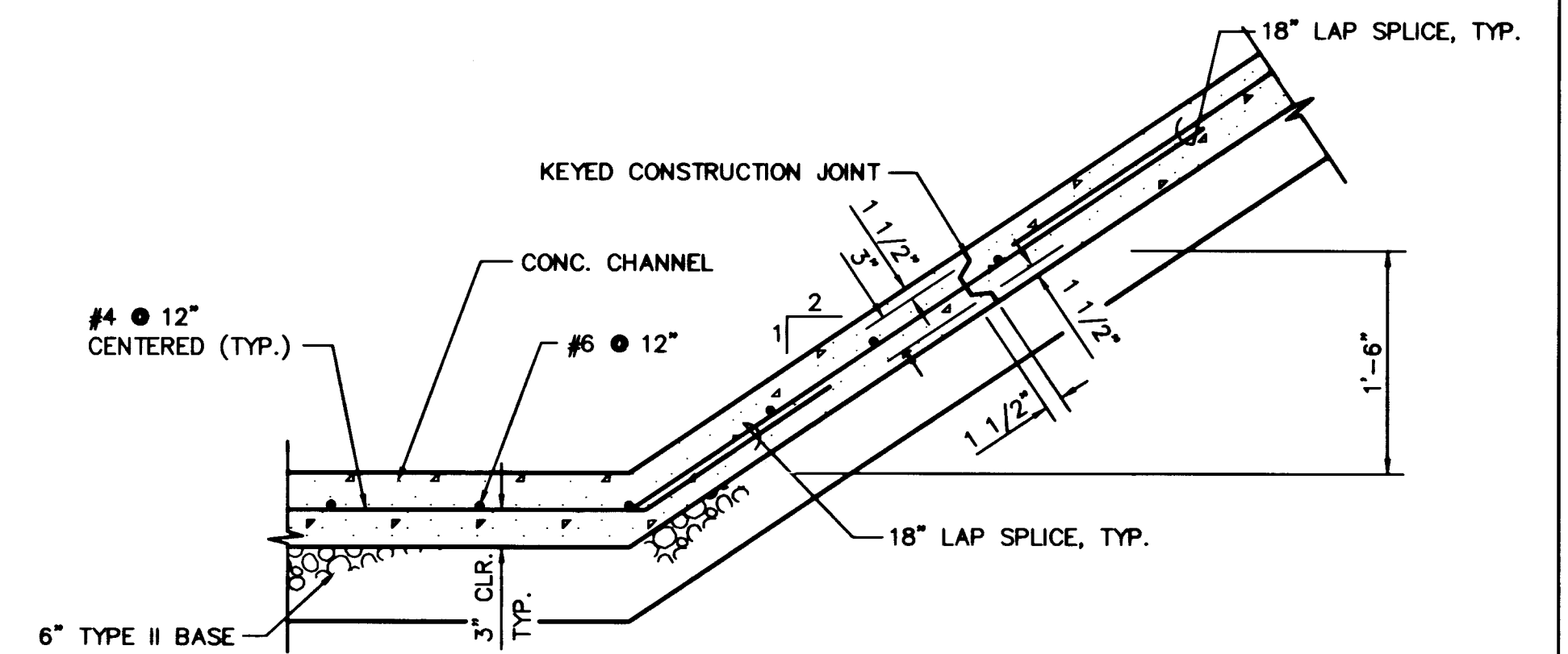
CONNECT TO EXISTING

NOT TO SCALE



UPPER CUT-OFF WALL

(REVERSE IS APPLICABLE)
NOT TO SCALE



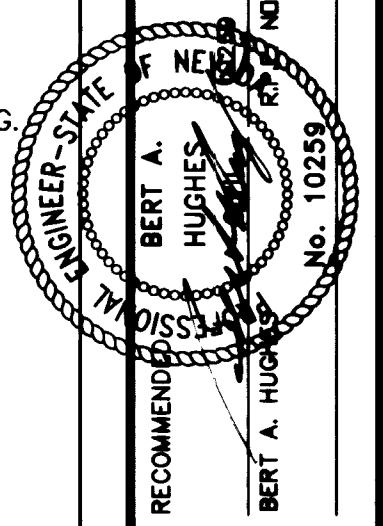
KEYED CONSTRUCTION JOINT DETAIL

(REVERSE IS APPLICABLE)
NOT TO SCALE

RECORD DRAWINGS

THESE PLANS SHOW RECORD INFORMATION RECEIVED FROM:
CONTRACTOR: WELLS CARGO INC. 02/25/97

THIS DATA MAY OR MAY NOT REFLECT THE ACTUAL FIELD LOCATIONS. ALL DATA SHOULD BE CONFIRMED PRIOR TO USE ON DEVELOPMENT OR ENGINEERING PLANS.



RECOMMENDED BY:
BERT A. HUGHES
No. 10259
ENGINEER-STATE OF NEVADA

G.C. WALLACE, INC.
Engineering/Architecture
1535 SOUTH RAINBOW BLVD./LAS VEGAS, NEVADA 89108

**SUMMERLIN
ANABAZI DRIVE IMPROVEMENTS
ANABAZI DRIVE
STORM DRAIN DETAILS**

SHEET
23
SHT 23 OF 29

JOB NO. 62008.206

March 07, 1996 12:09:12 p.m. CQT Drawing: C:\ANASAZI\SHIELDS\ANA-C23R.DWG

8671

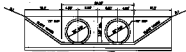
29-2-41 107-V2493



PLAN
SCALE 1"=20'



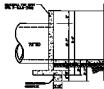
CONCRETE CHANNEL SECTION
1/2" TO SCALE



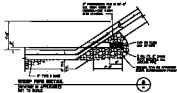
BRIDGE WALL DETAIL
1/2" TO SCALE

STEEL JOISTING

STEEL PLATE GIRDS SHALL BE SPACED TO MATCH THE
SPACING OF WALLS AND SHALL BE
WELDED TO THE WALLS AND TO THE JOISTING. ALL JOIST
ENDS SHALL BE WELDED TO THE WALLS AND TO THE JOISTING.



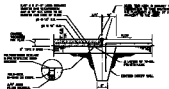
REINFORCING
STEEL JOIST AND CONCRETE FOOTING DETAIL
1/2" TO SCALE



STEEL PIPE DETAIL
1/2" TO SCALE



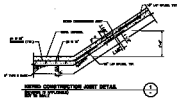
STEEL JOIST DETAIL
1/2" TO SCALE



STEEL JOIST DETAIL
1/2" TO SCALE



STEEL JOIST DETAIL
1/2" TO SCALE



STEEL JOIST DETAIL
1/2" TO SCALE



U.S. BUREAU OF RECONSTRUCTION
WASHINGTON, D.C.