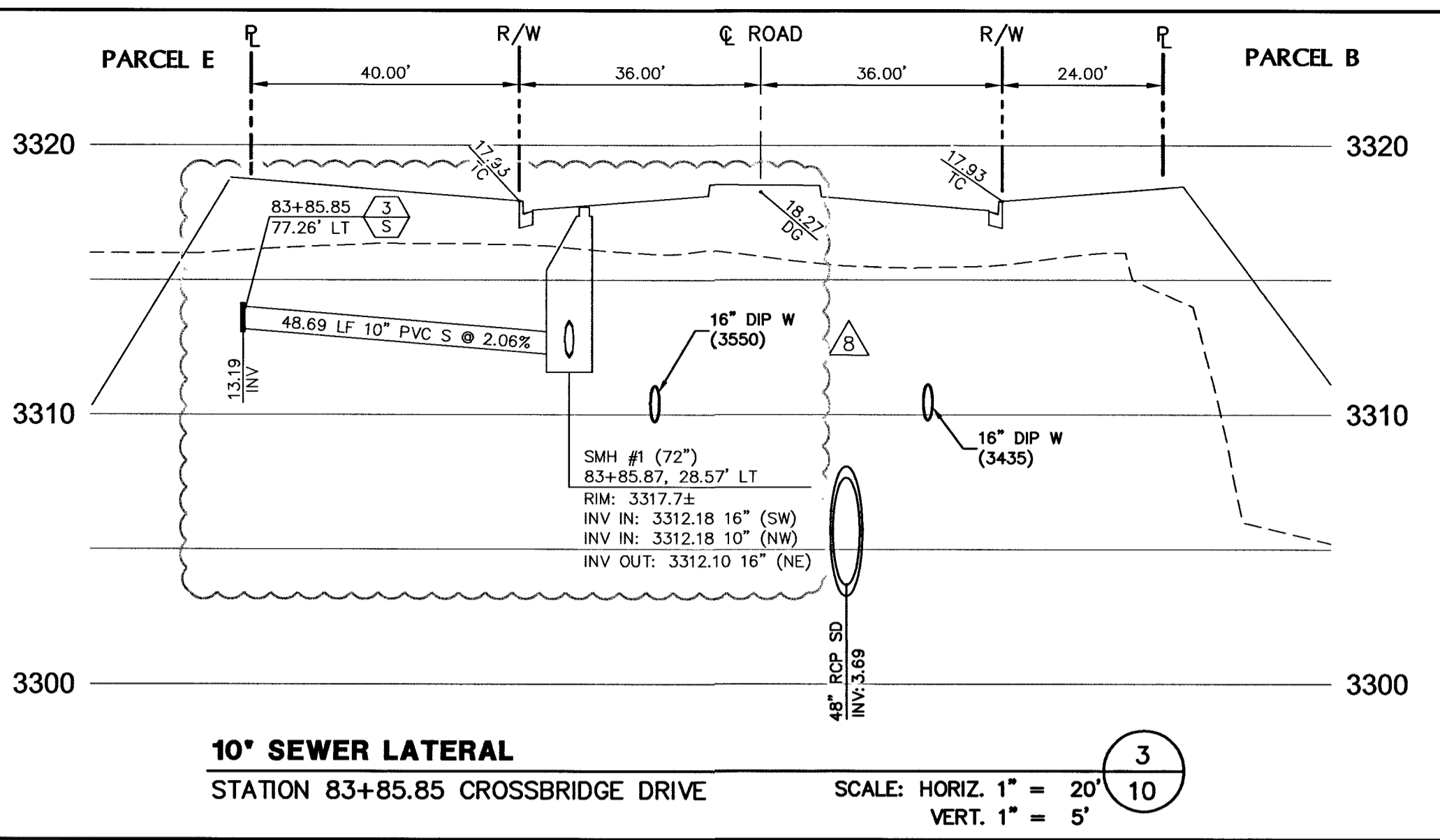


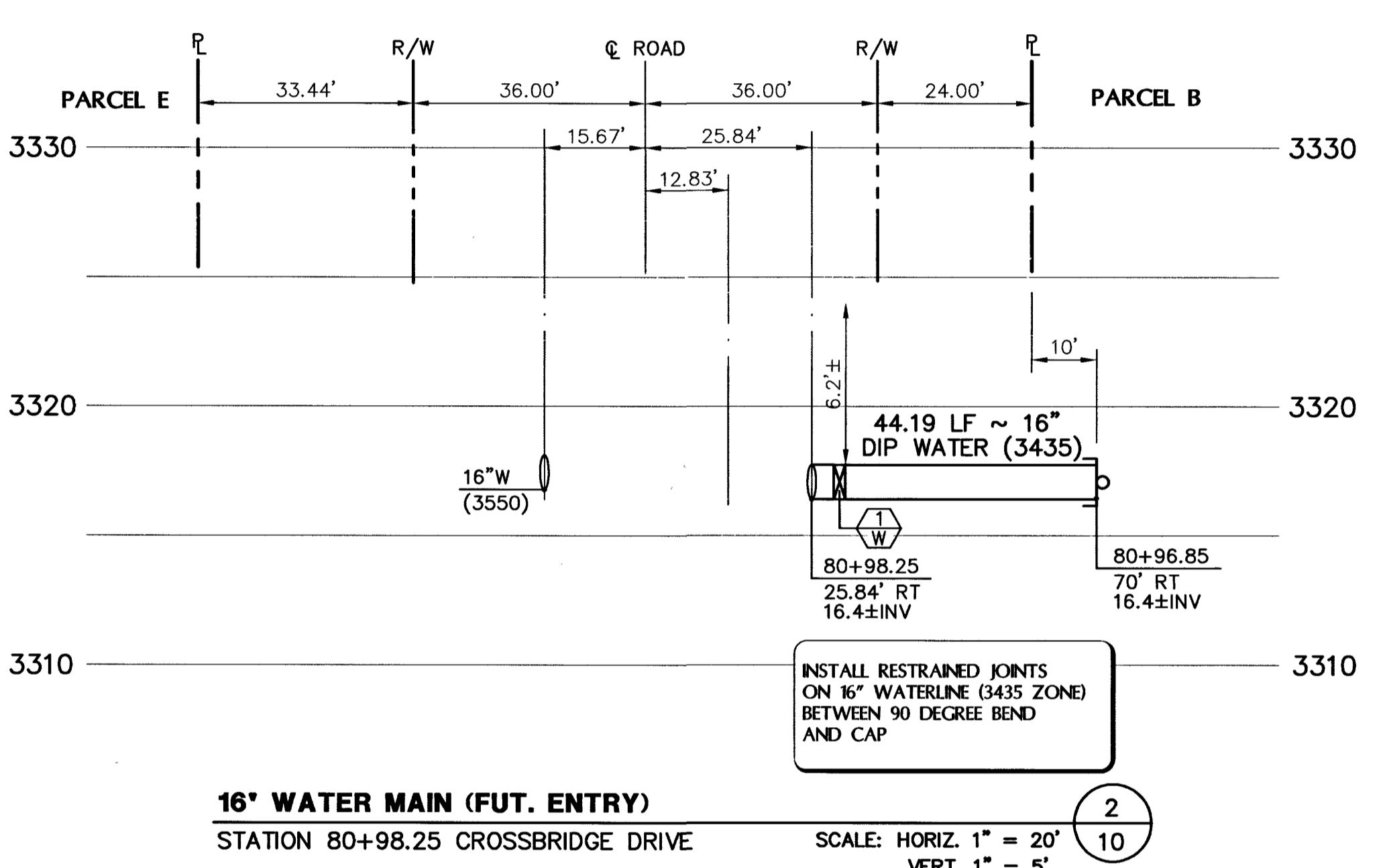
DESIGN	DATE	DESCRIPTION
DRAWN		
CHECK		
ISSUE DATE		
ISSUE EDITOR		
PLOT DATE		
PLOT TIME		
REV.	DATE	DESCRIPTION
1		REVISE LATERAL DETAILS
2		REVISE LATERAL DETAILS
3		REVISE LATERAL DETAILS
4		REVISE LATERAL DETAILS
5		REVISE LATERAL DETAILS
6		REVISE LATERAL DETAILS
7		REVISE LATERAL DETAILS
8		REVISE LATERAL DETAILS
9		REVISE LATERAL DETAILS
10		REVISE LATERAL DETAILS

G.C. WALLACE, INC.
 Engineers/Planners/Surveyors
 1545 SOUTH RANSOM BLVD., LAS VEGAS, NEVADA 89146
 TELEPHONE: (702) 804-2000 • FAX: (702) 804-2299
 F:\Projects\62024-220\DWG\Production\DWG1_140333\DWG1022.dwg

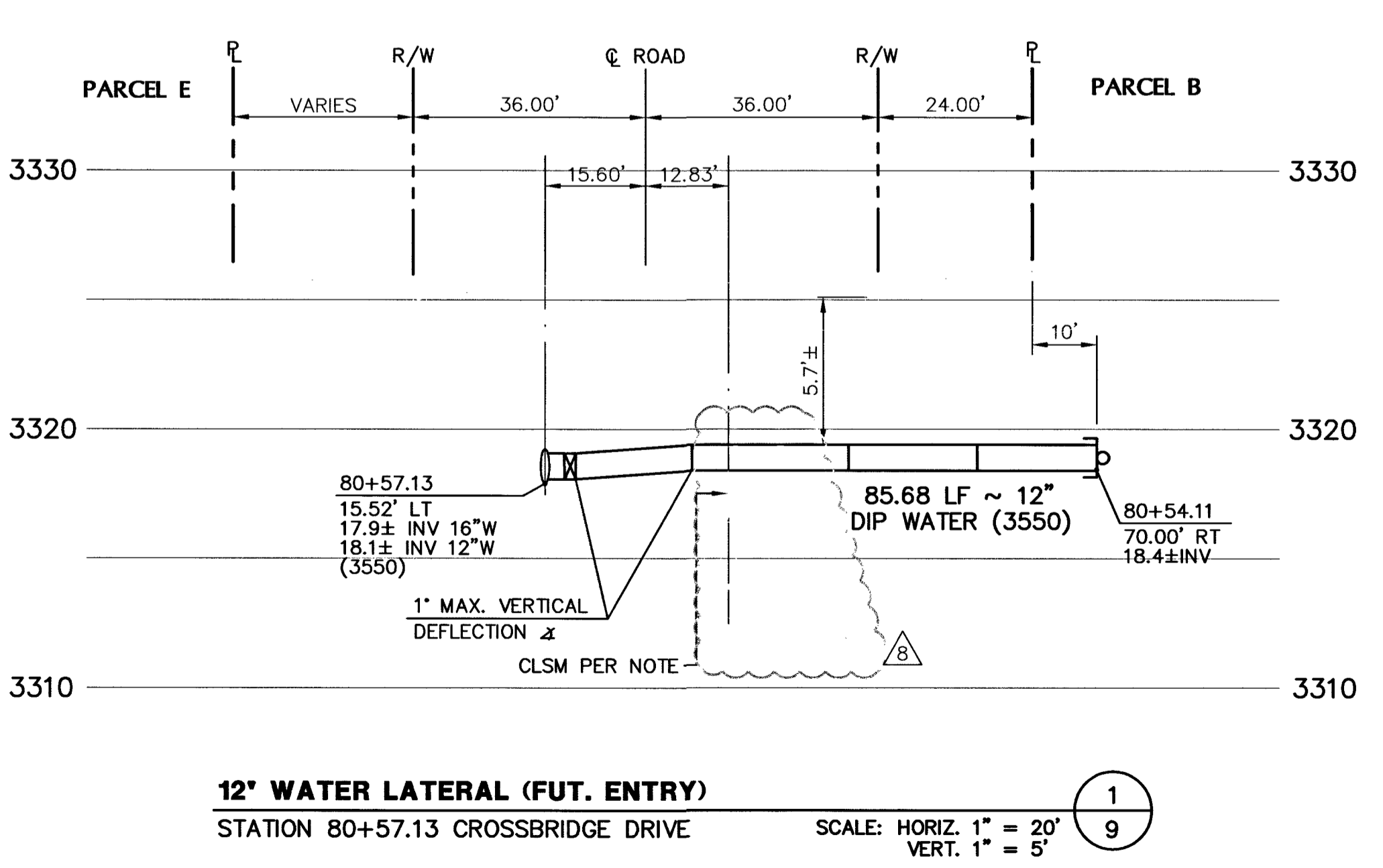
SUMMERLIN
 VILLAGE 24 UNIT 1 IMPROVEMENTS
 INTERIM DIVERSION CHANNEL PLAN,
 AND LATERAL PROFILES 1
 SHEET
22
 22 OF 47 SHEETS



10" SEWER LATERAL
 STATION 83+85.85 CROSSBRIDGE DRIVE
 SCALE: HORIZ. 1" = 20'
 VERT. 1" = 5'



16" WATER MAIN (FUT. ENTRY)
 STATION 80+98.25 CROSSBRIDGE DRIVE
 SCALE: HORIZ. 1" = 20'
 VERT. 1" = 5'



12" WATER LATERAL (FUT. ENTRY)
 STATION 80+57.13 CROSSBRIDGE DRIVE
 SCALE: HORIZ. 1" = 20'
 VERT. 1" = 5'

CONTROLLED LOW STRENGTH MATERIAL (CLSM)
 PROTECT WATERLINES IN PLACE. WHEREVER A WATERLINE IS ABOVE A STORM DRAIN OR SEWER WHERE COMPACTION REQUIREMENTS UNDER A WATERLINE CANNOT BE MET, BACKFILL TRENCH WITH CLASS I/ CLASS II CONTROLLED LOW STRENGTH MATERIAL (CLSM) TO THE SPRINGLINE OF THE WATERLINE. THIS REQUIREMENT IS FOR STRUCTURAL SUPPORT ONLY. ADDITIONAL HEALTH REGULATIONS MAY APPLY PER UDACS 2.19.

BASIS OF BEARINGS
 NORTH 89°45'05" EAST BEING THE SOUTH LINE OF THE SOUTHWEST QUARTER (SW 1/4) OF SECTION 35, TOWNSHIP 20 SOUTH, RANGE 59 EAST, M.D.M., AS SHOWN BY MAP ON FILE IN FILE 91, PAGE 28 OF PARCEL MAPS IN THE CLARK COUNTY RECORDER'S OFFICE, CLARK COUNTY, NEVADA

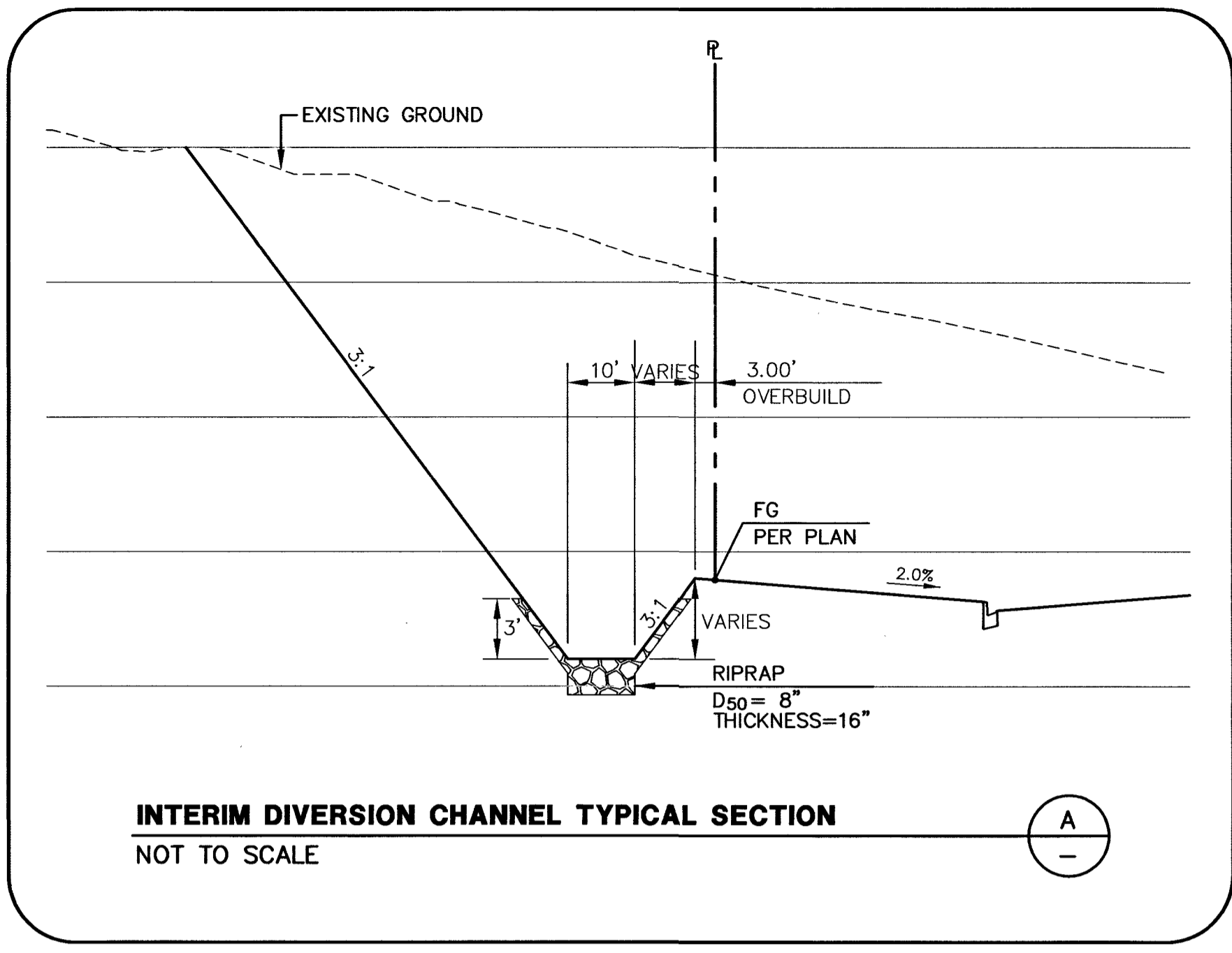
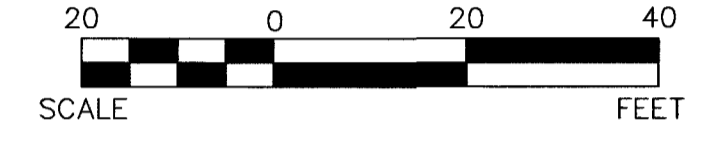
NOTE
 THIS SET OF DRAWINGS IS BASED UPON NAVD 88 DATUM. PREVIOUS DRAWINGS MAY BE BASED ON OTHER DATUM. CARE SHOULD BE OBSERVED WHEN UTILIZING THIS SET OF DRAWINGS.

BENCHMARK

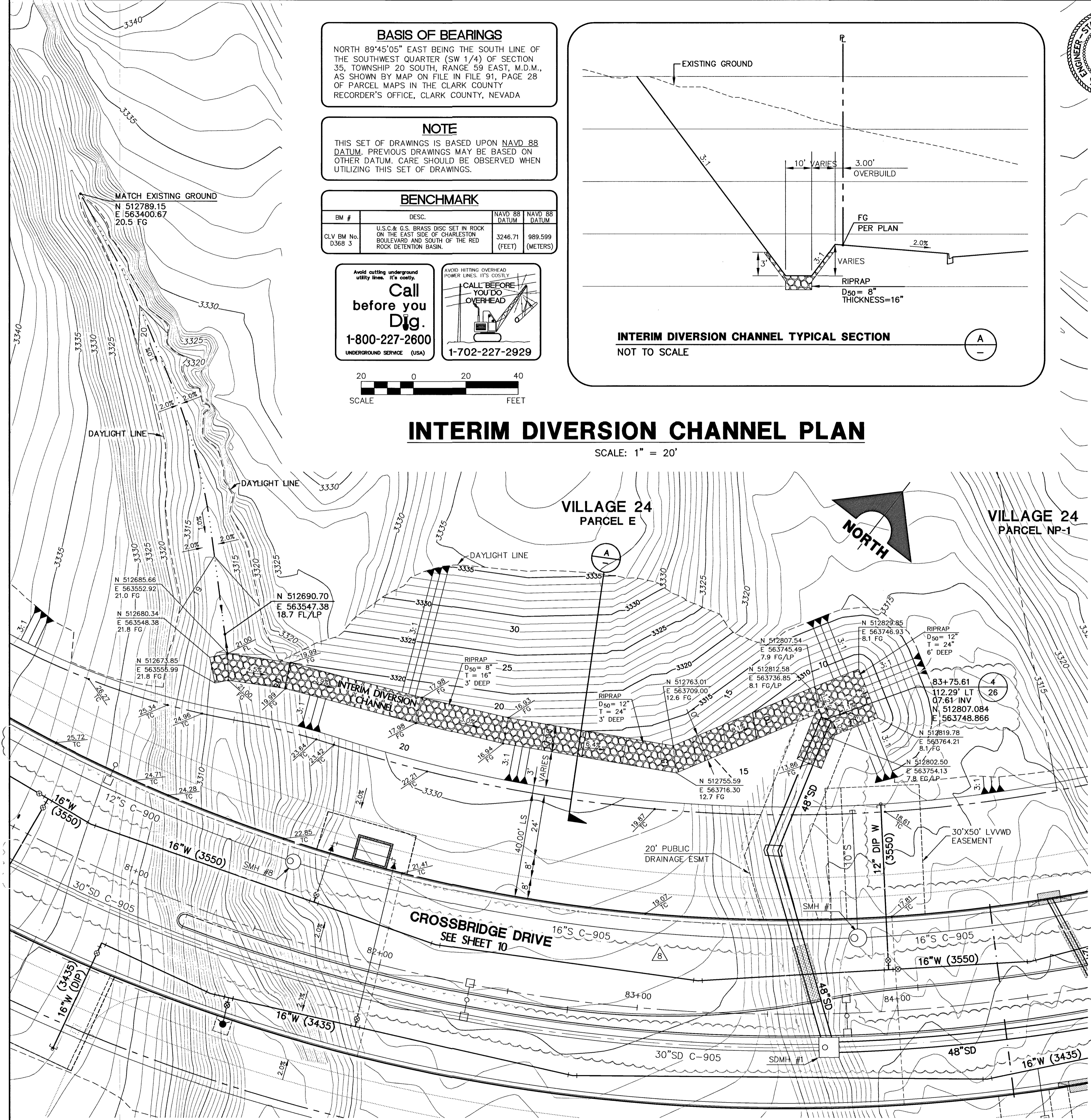
BM #	DESC.	NAVD 88 DATUM	NAVD 88 DATUM
CLV BM No. D368 3	U.S.C. & G.S. BRASS DISC SET IN ROCK ON THE EAST SIDE OF CHARLESTON BOULEVARD AND SOUTH OF THE RED ROCK DETENTION BASIN.	3246.71 (FEET)	989.599 (METERS)

Call before you Dig.
 1-800-227-2600
 UNDERGROUND SERVICE (USA)

CALL BEFORE YOU DO OVERHEAD
 1-702-227-2929



INTERIM DIVERSION CHANNEL TYPICAL SECTION
 NOT TO SCALE



INTERIM DIVERSION CHANNEL PLAN

SCALE: 1" = 20'



APPROVED FOR CONSTRUCTION 1ST APP'D 8-16-06
DISHARI
 LAS VEGAS VALLEY WATER DISTRICT
 (PROJECT #106984)
 DATE 9/19/17

CLV DRAWING NO. 107Y4932