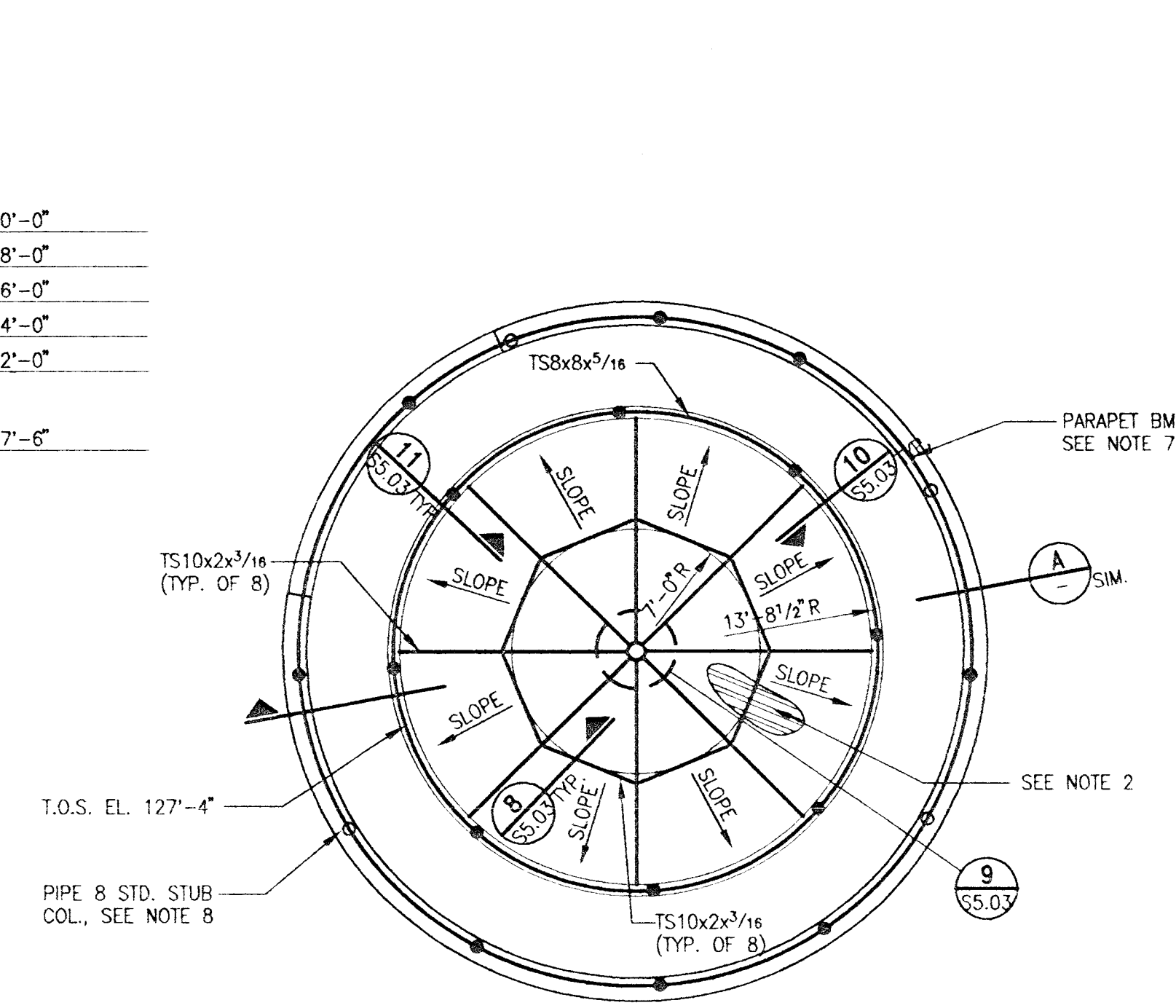
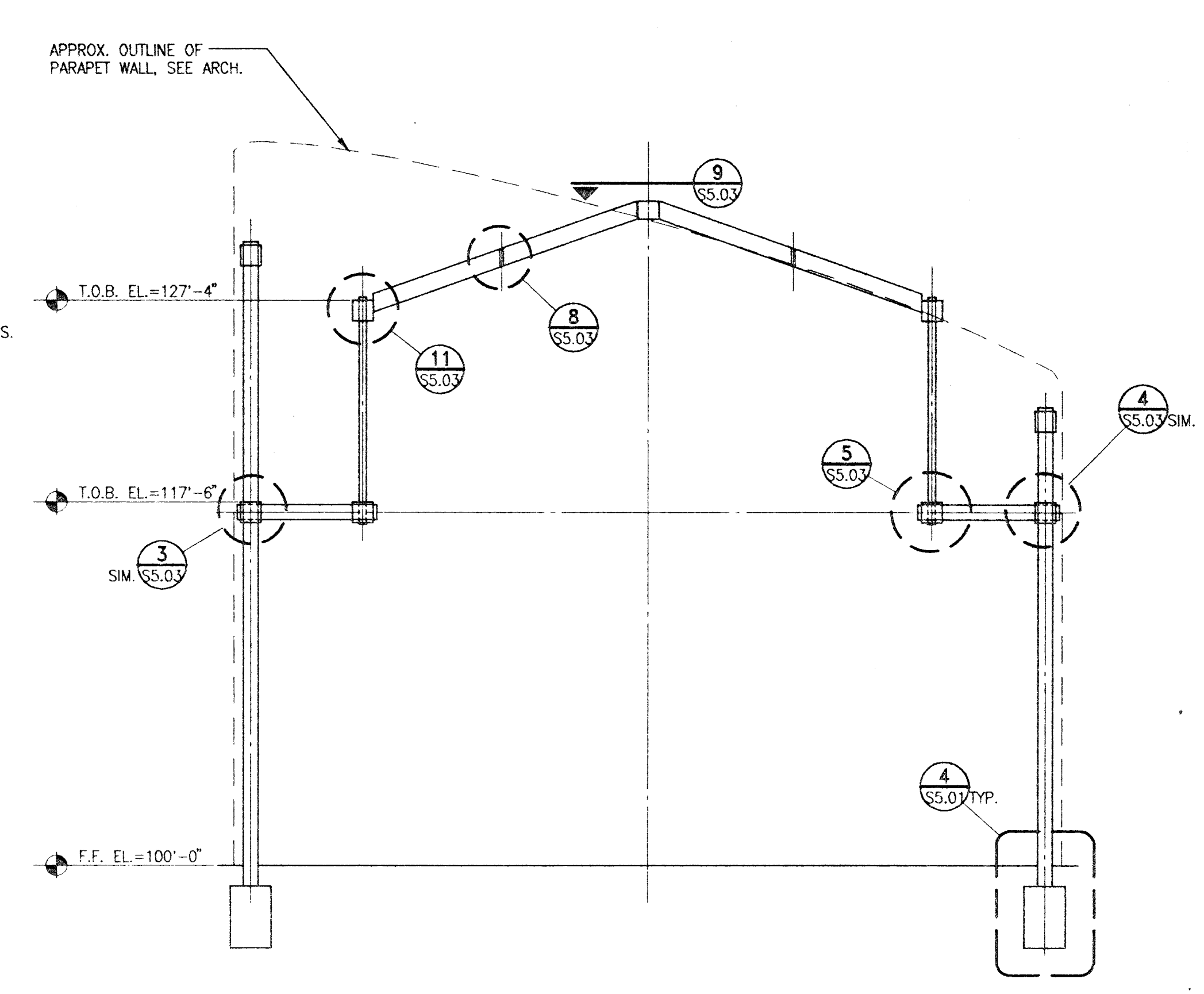


DEVELOPMENT of WALL (LOOKING FROM OUTSIDE, COUNTER CLOCKWISE FROM COL. #1)

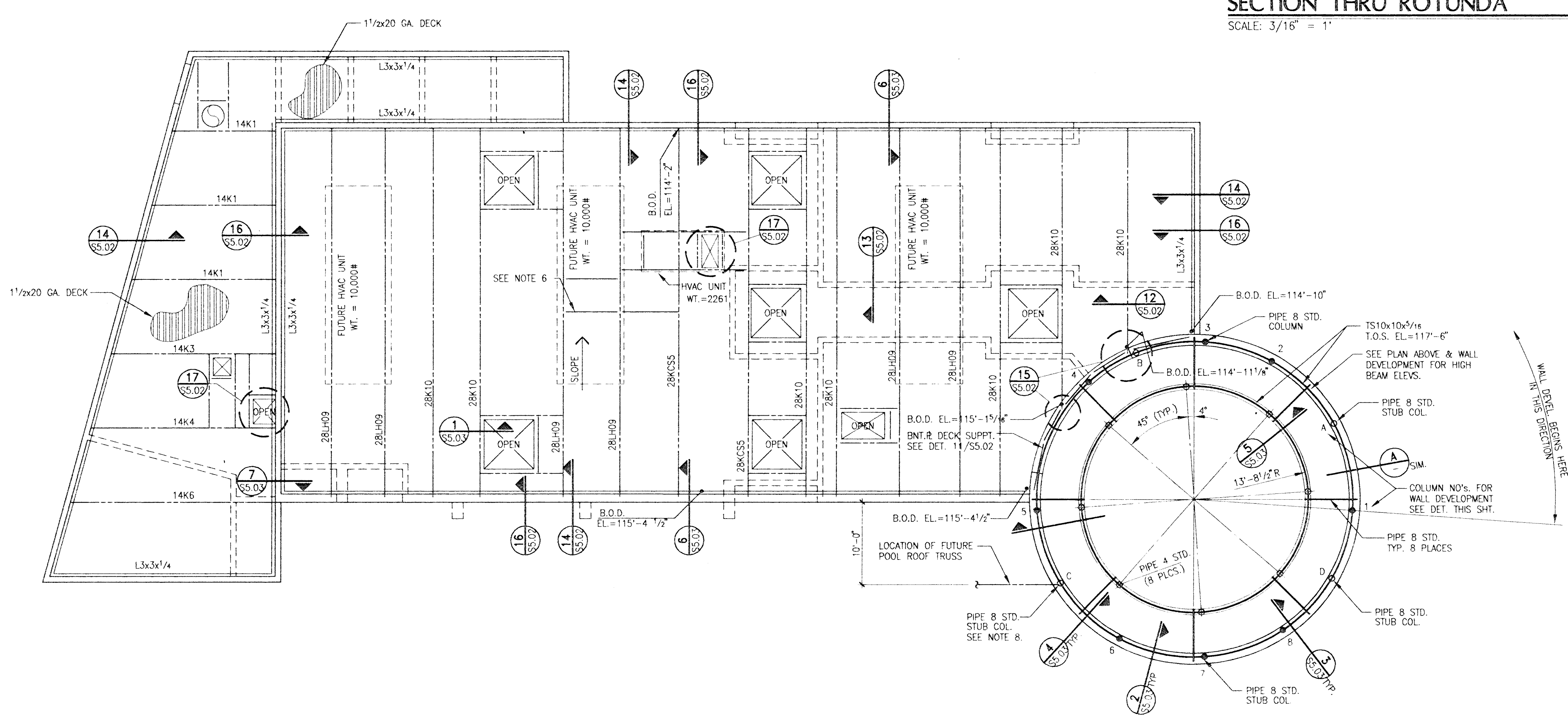


HIGH BEAM FAMING PLAN
 SCALE: 1/8" = 1'-0"

● INDICATES A COLUMN FROM BELOW
 ○ INDICATES A STUB COLUMN TO THE TOP



SECTION THRU ROTUNDA
 SCALE: 3/16" = 1'-0"



ROOF FRAMING NOTES:

- BOTTOM OF DECK ELEVATIONS SHOWN ON PLAN THUS B.O.D. XX'-XX" U.N.D.
- ROOF SHALL BE 11/2"x20 GA. TYPE HSB-36 GALVANIZED, VERO CO. STEEL DECK OR EQUAL. WELD DECK w/1/2" NET EFFECTIVE PUDDLE WELDS.
 PERPENDICULAR BEARINGS (7) WELDS PER SHEET
 PARALLEL BEARINGS & EDGES AT 12" O.C.
 SEAMS BUTT PUNCH SIDE SEAMS AT 18" O.C.
- SEE MECHANICAL AND ARCHITECTURAL FOR LOCATION OF ROOF PENETRATIONS IF ANY.
- FOR JOIST BRG. R ON CMU SEE DETAILS 6 & 7 ON DWG. S5.03.
- Lx INDICATES A CMU LINTEL, SEE DETAIL 7 ON DWG. S5.02.
- PROVIDE 2.5xS1 AT 4'-0" MAX. O.C. AS REQUIRED FOR SUPPORT HANGING CEILING, LIGHTING ETC.
- PARAPET BEAMS ARE SEGMENTS OF TS10x10x2 1/4 SPANNING BETWEEN COLUMNS.
- STUB COLUMNS ARE SUPPORTED ON RING GIRDER TS10x10x2 1/4 AT 17'-6" A.F.F. AND EXTEND TO TOPS OF PARAPET BEAMS.

ROOF FRAMING PLAN
 SCALE: 1/8" = 1'-0"

ONE HOUR
 FIRE - RESISTIVE
 CONSTRUCTION
 THROUGHOUT

PLANS APPROVED
 STRUCTURAL
 ENGINEERING
 SEP 14 2000
 Bennett & Jimenez, Inc.

PLANS APPROVED
 ARCHITECTURAL
 Building & Safety Dept.
 City of Las Vegas, Nevada
 JCC JUN 31 2000
 Does Not Include Structural, Electrical, Plumbing/Architectural or Civil Site Improvements. Make No Change Without Approval. Plan is Not a Permit to Violate Any Ordinance.

BENNETT & JIMENEZ, INC.
 STRUCTURAL ENGINEERS
 2481 N. Decatur Blvd.
 Suite B
 Las Vegas, NV 89108
 B&J JOB NO.: 81011

