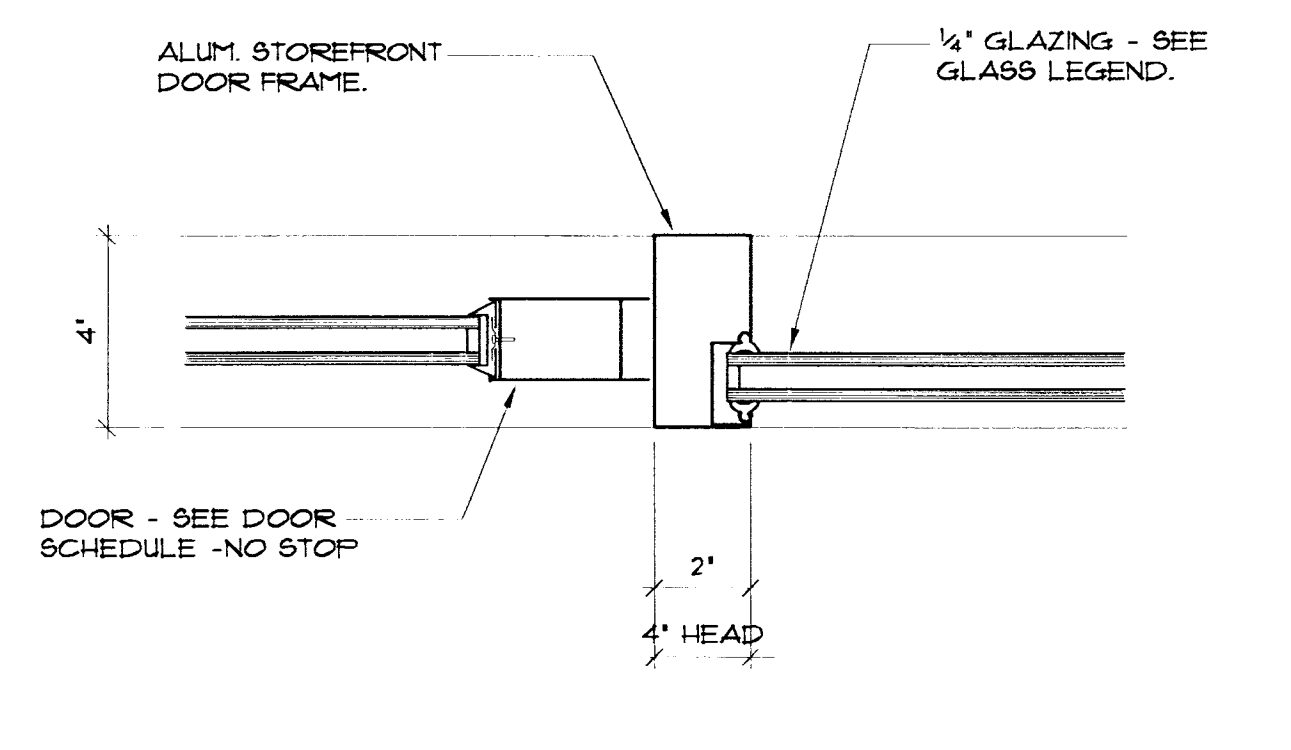
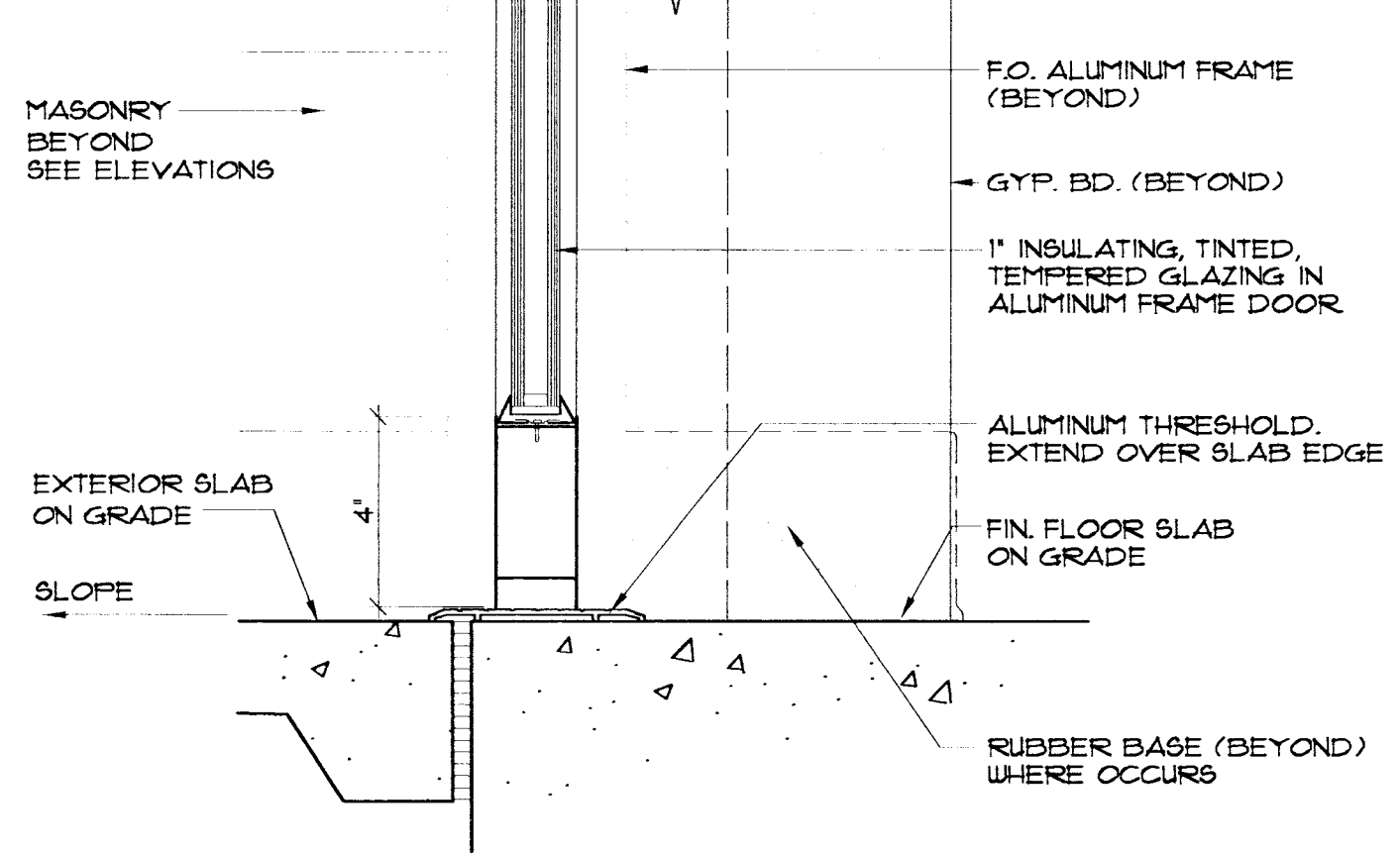


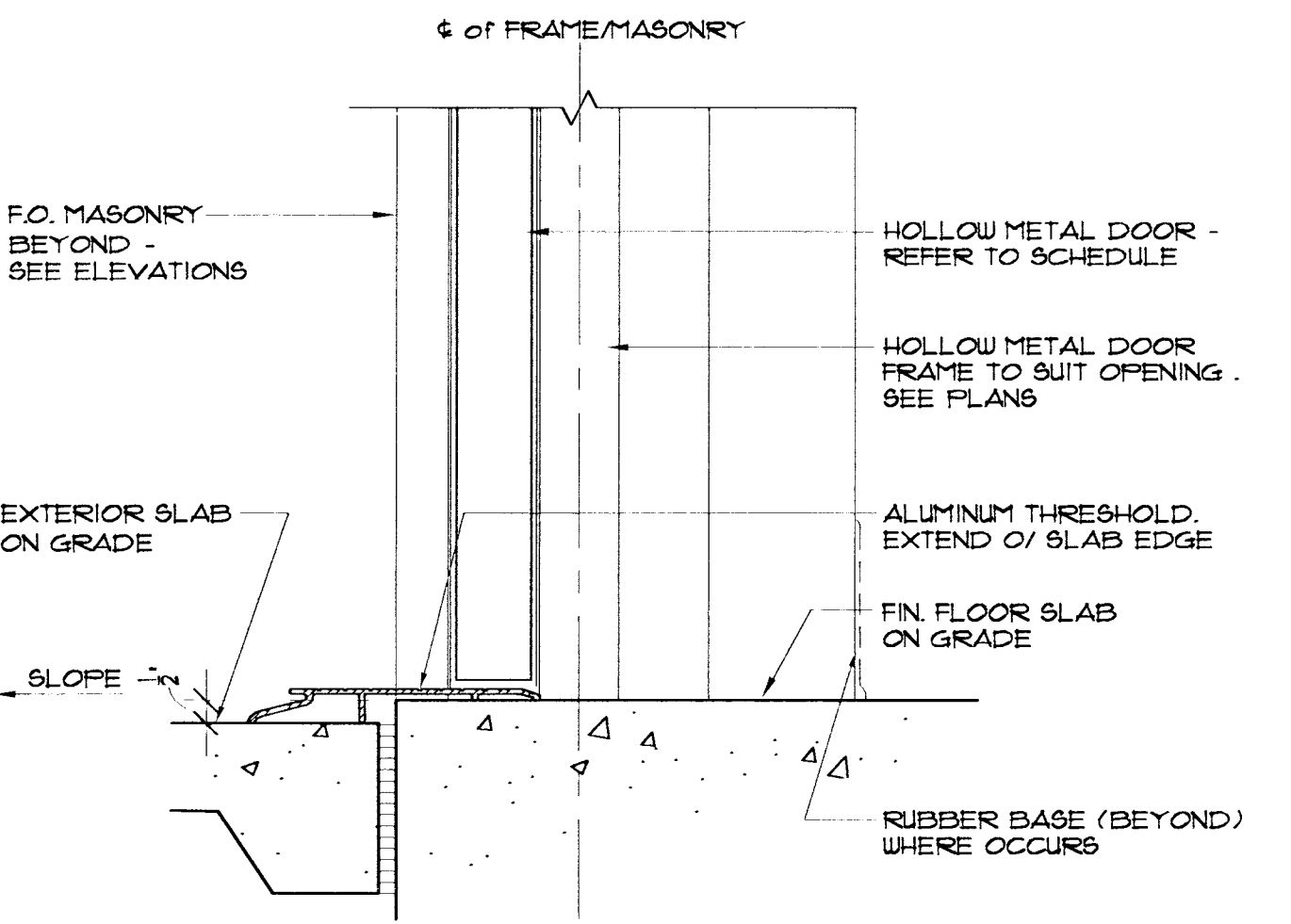
**JAMB - HEAD SIMILAR**  
SCALE: 3" = 1'-0"



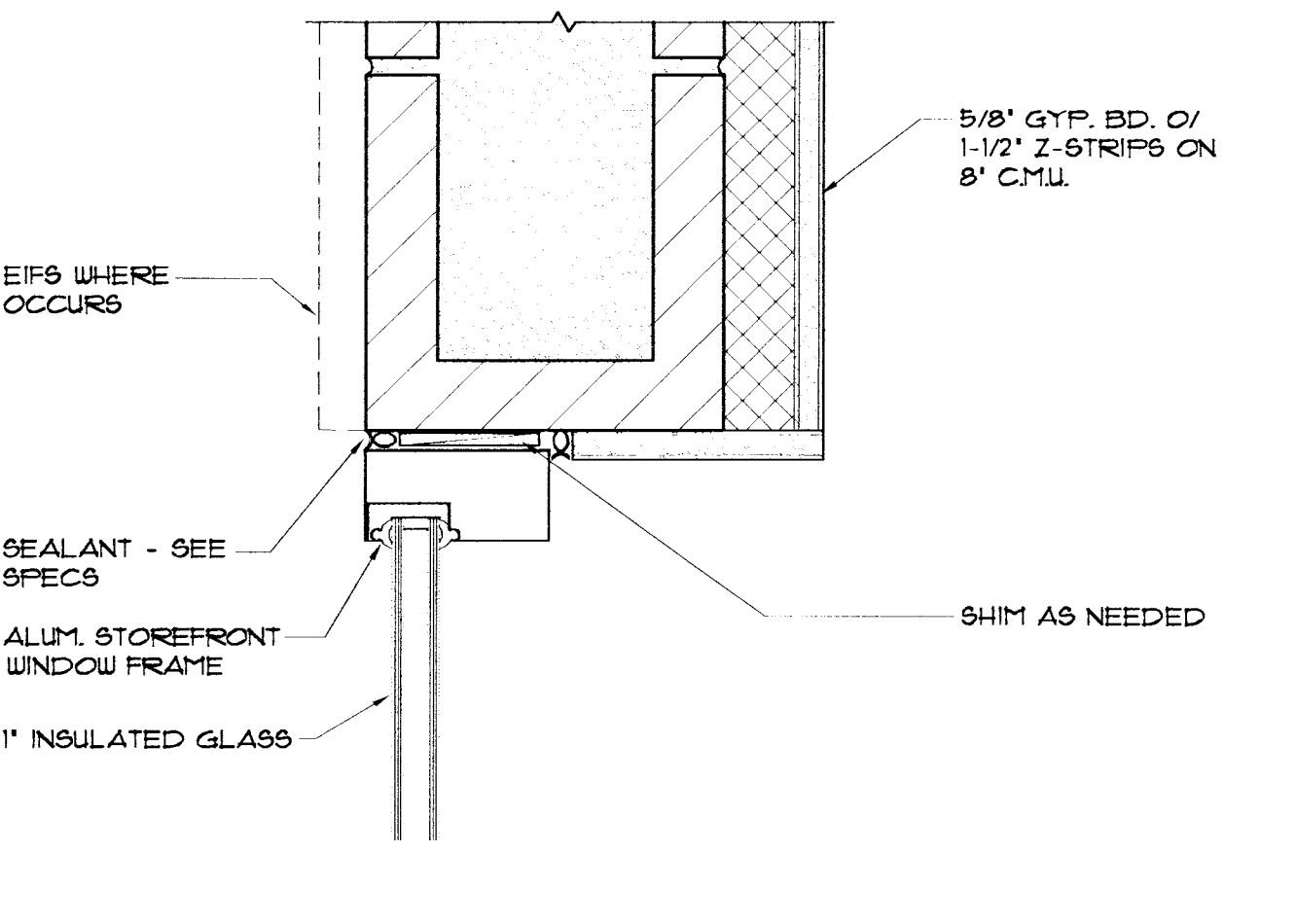
**JAMB - HEAD SIMILAR**  
SCALE: 3" = 1'-0"



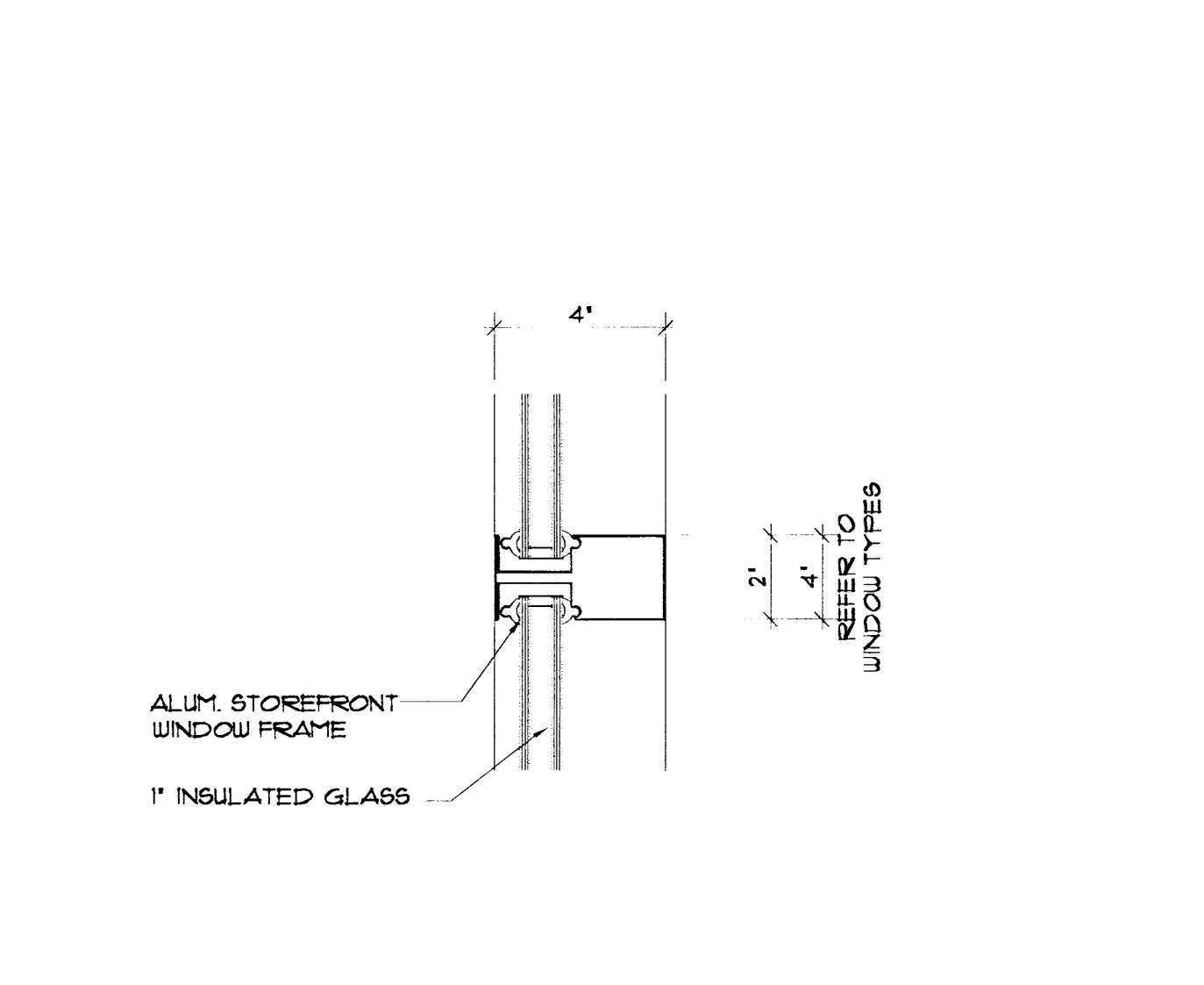
**STOREFRONT DOOR THRESHOLD**  
SCALE: 3" = 1'-0"



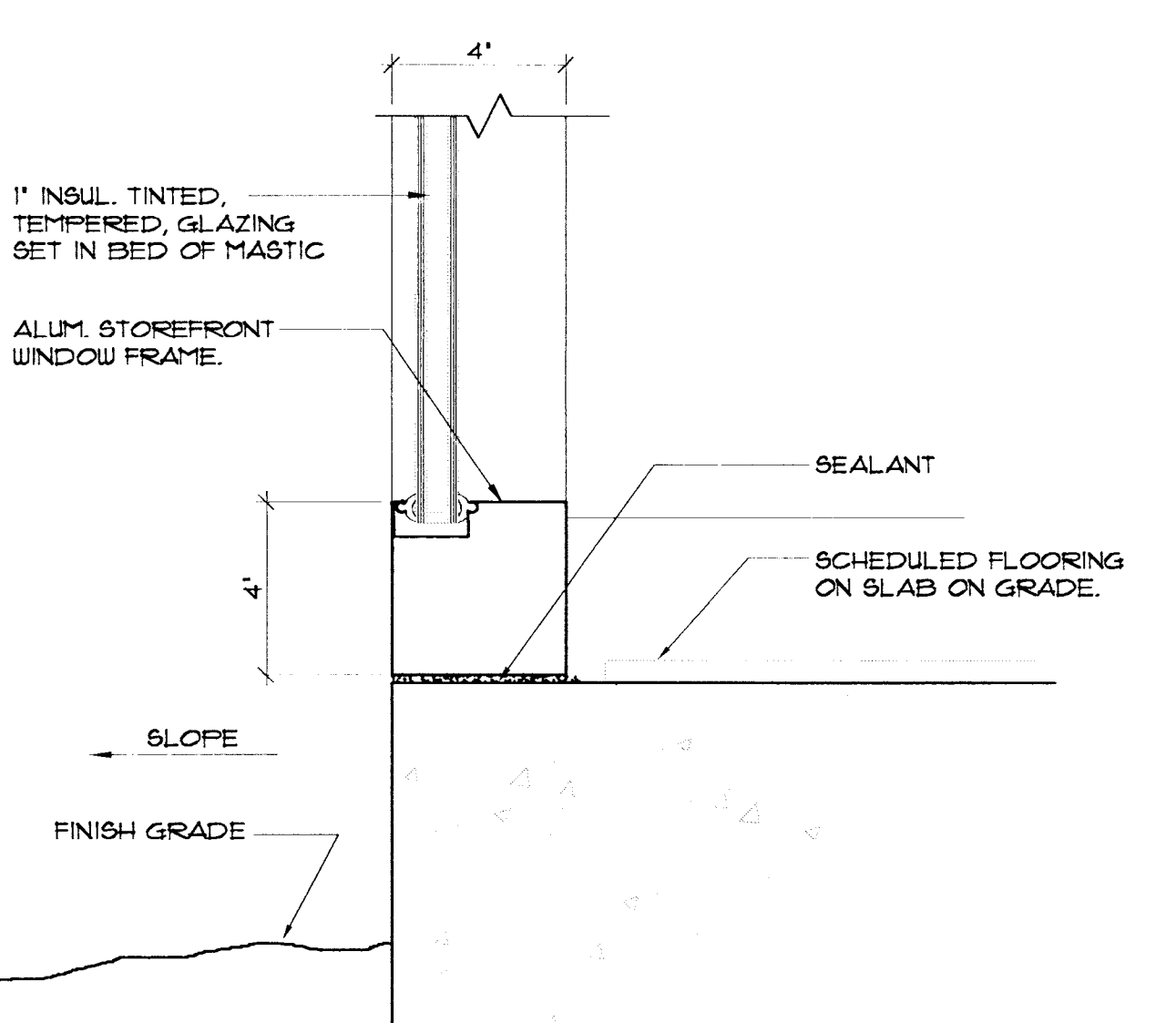
**THRESHOLD DETAIL**  
SCALE: 3" = 1'-0"



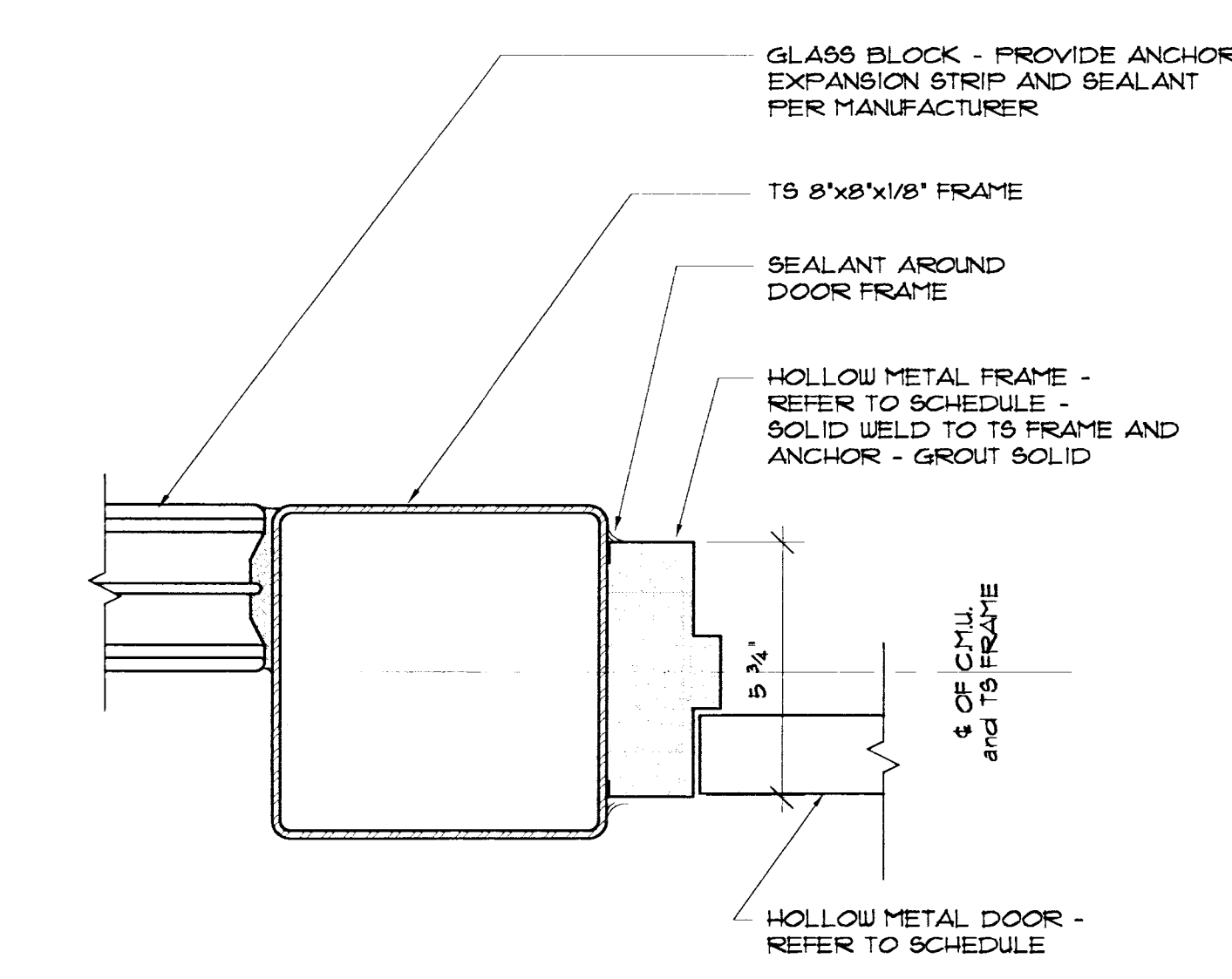
**HEAD - SILL and JAMB SIMILAR**  
SCALE: 3" = 1'-0"



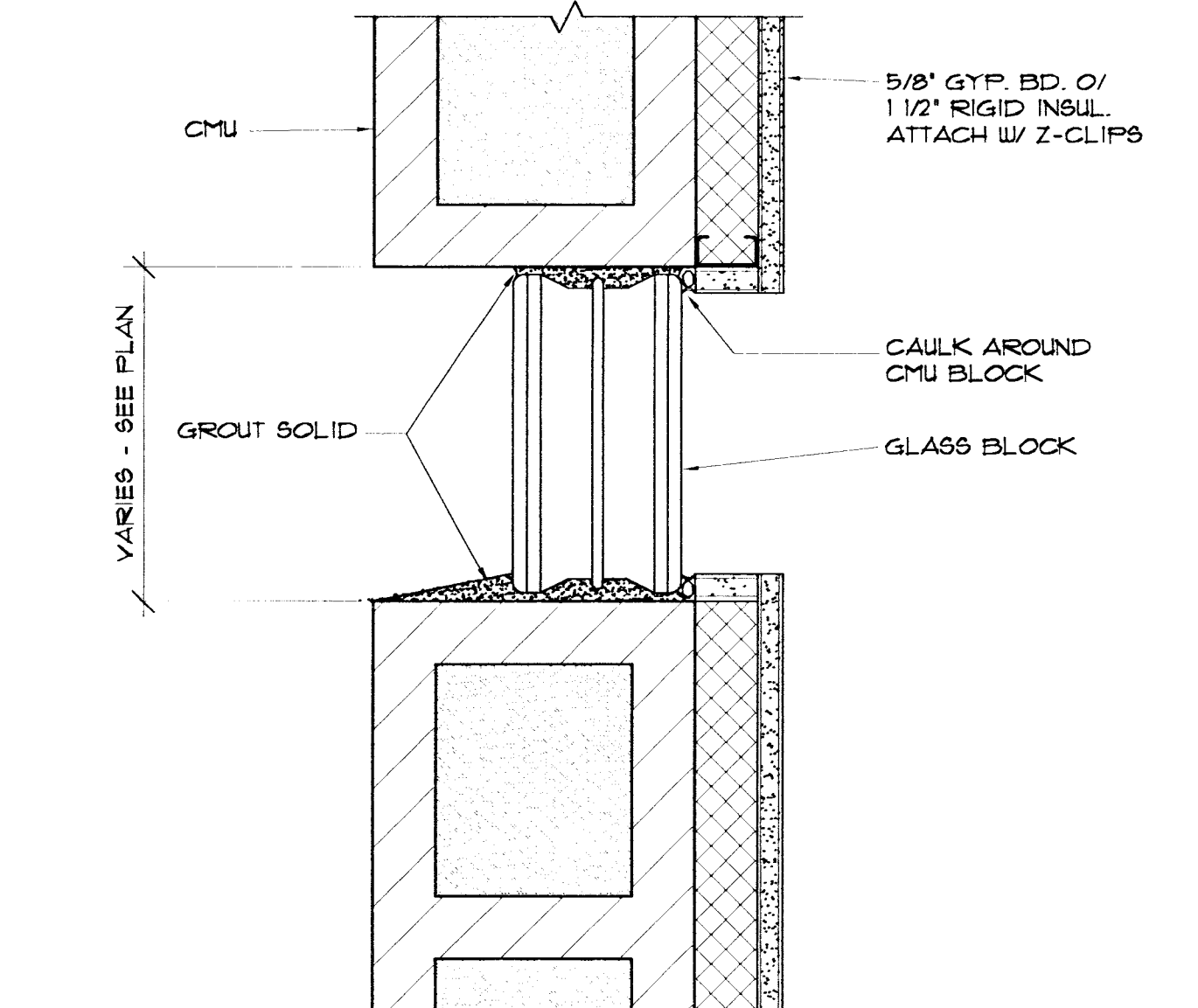
**MULLION**  
SCALE: 3" = 1'-0"



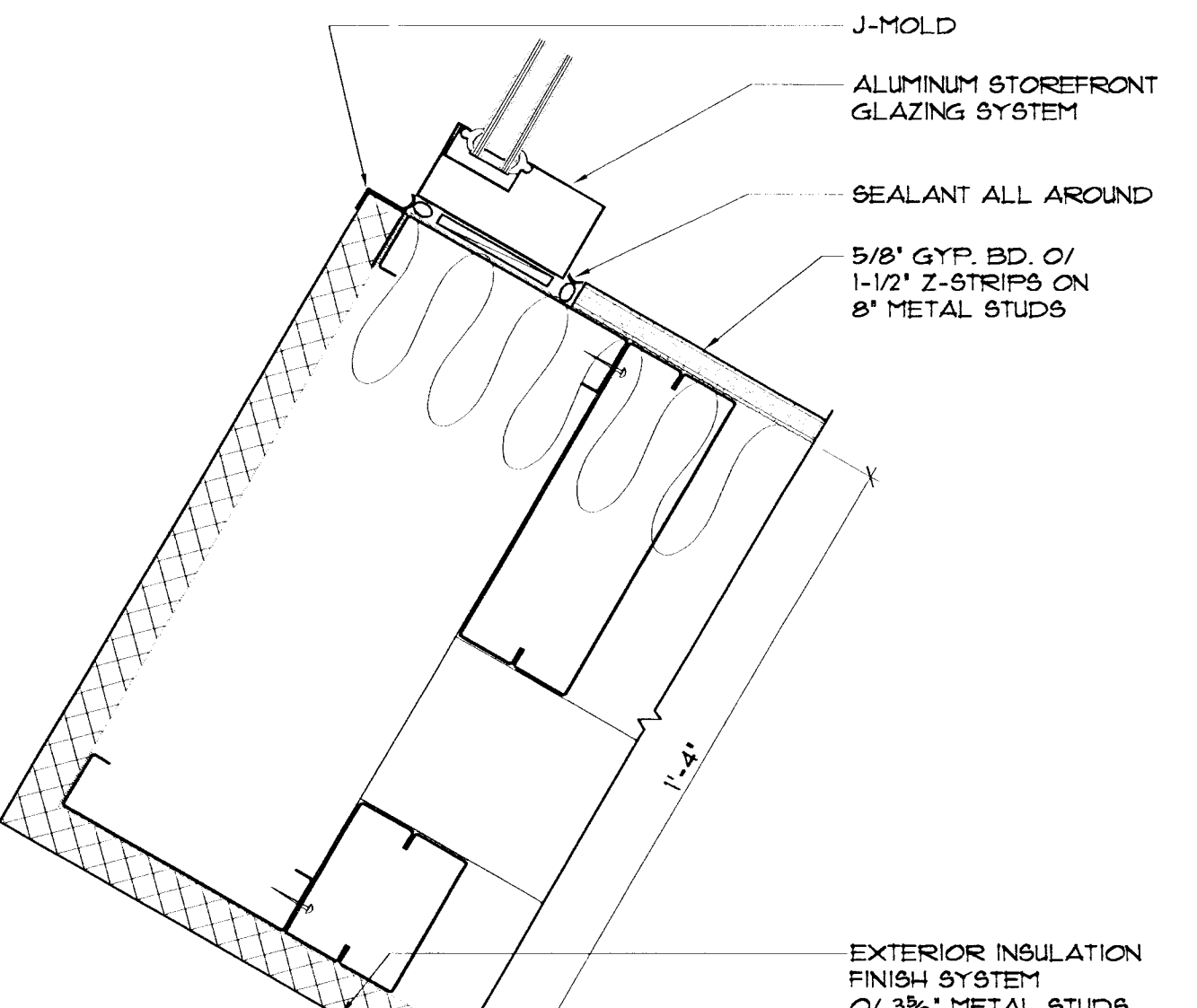
**SILL**  
SCALE: 3" = 1'-0"



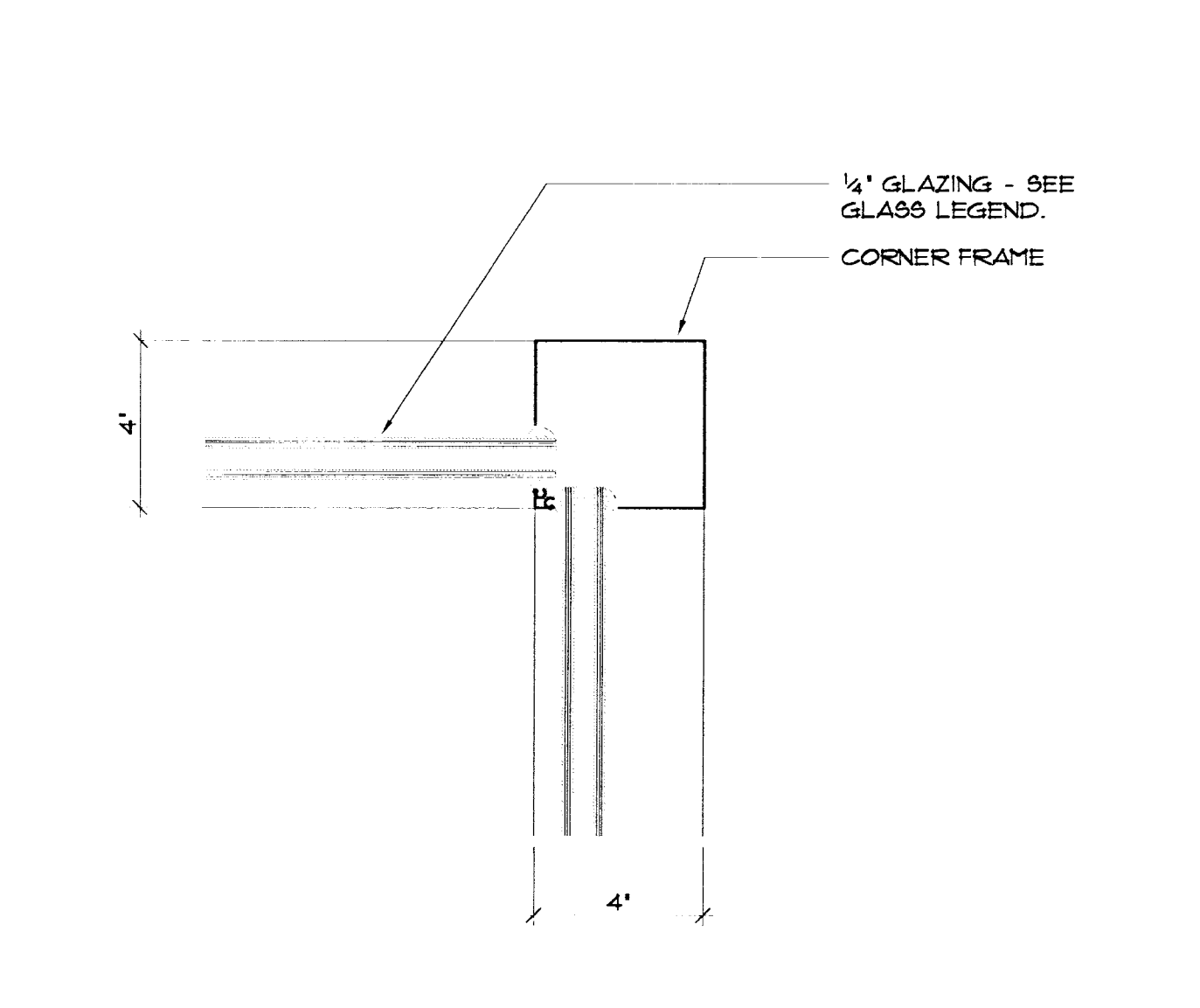
**HEAD - JAMB SIM.**  
SCALE: 3" = 1'-0"



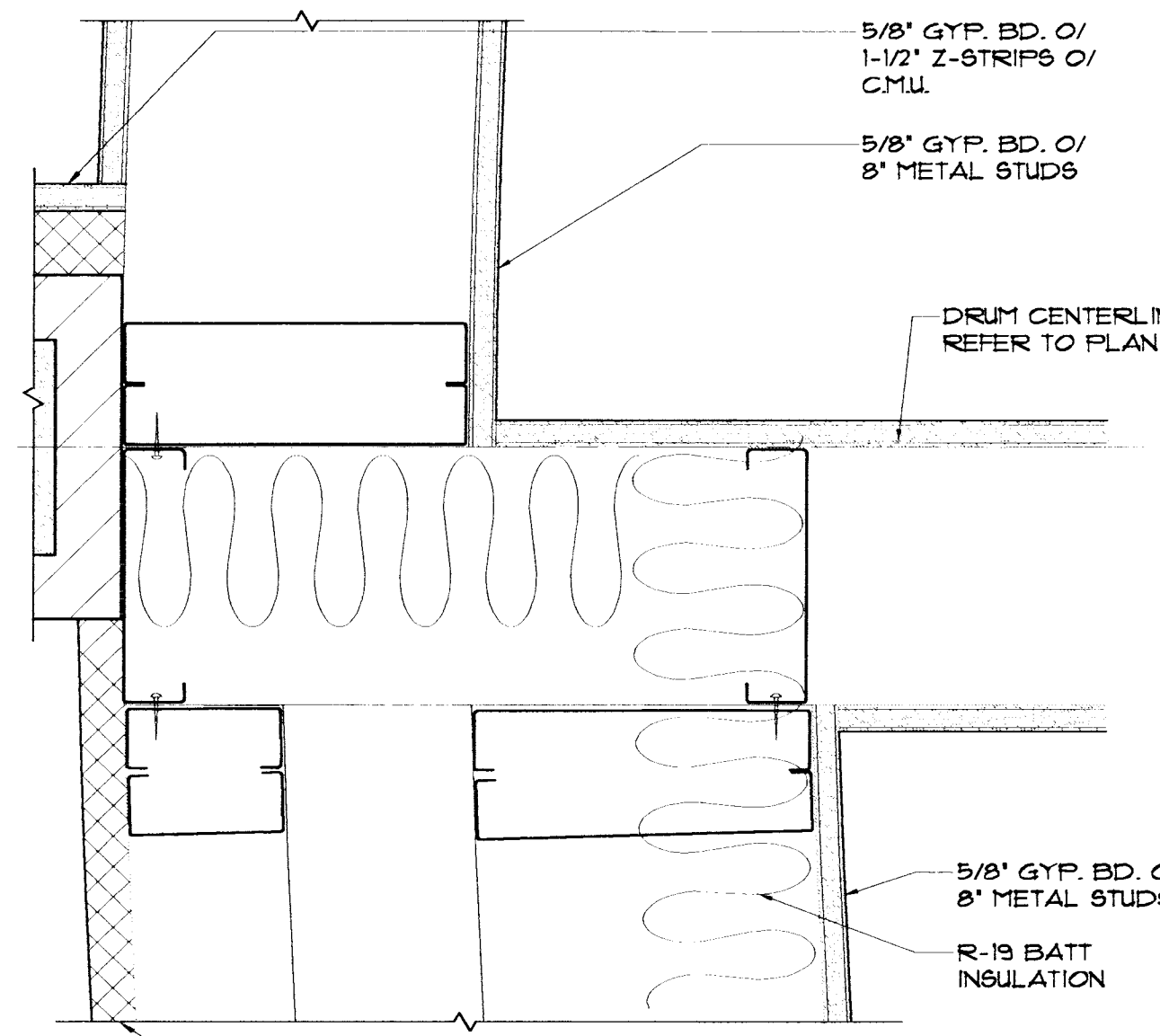
**SILL - HEAD and JAMB SIMILAR**  
SCALE: 3" = 1'-0"



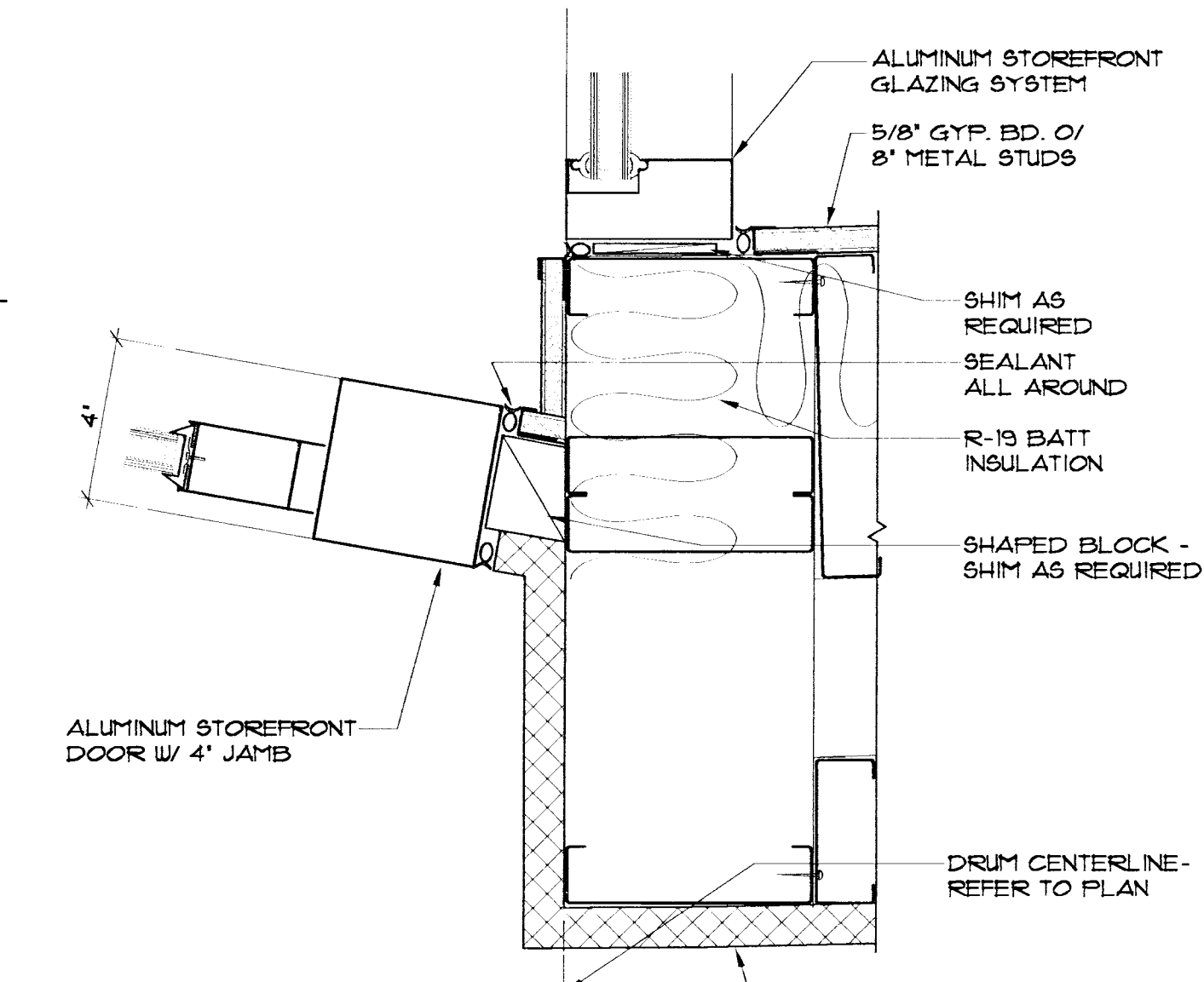
**JAMB**  
SCALE: 3" = 1'-0"



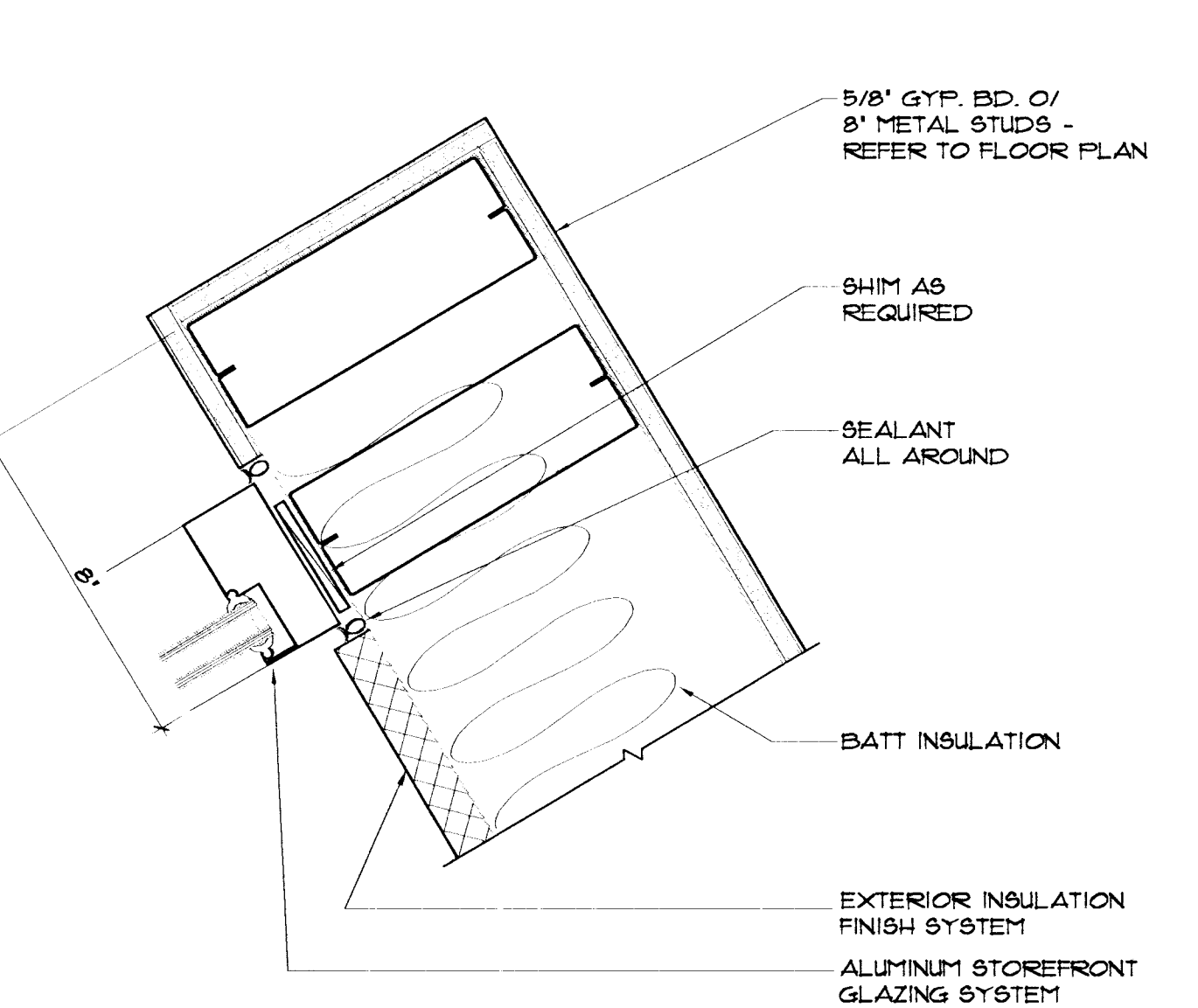
**CORNER JAMB**  
SCALE: 3" = 1'-0"



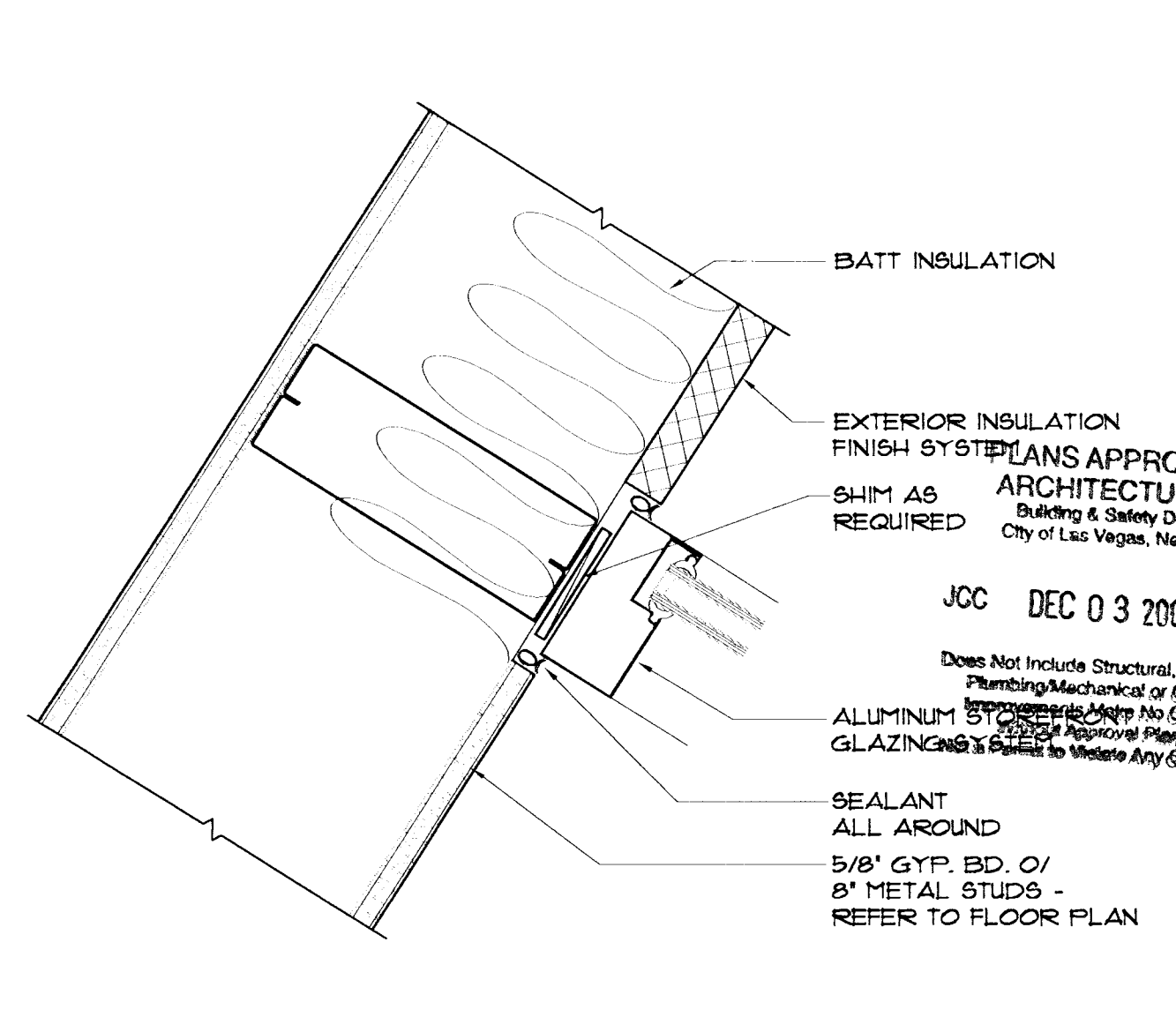
**JAMB**  
SCALE: 3" = 1'-0"



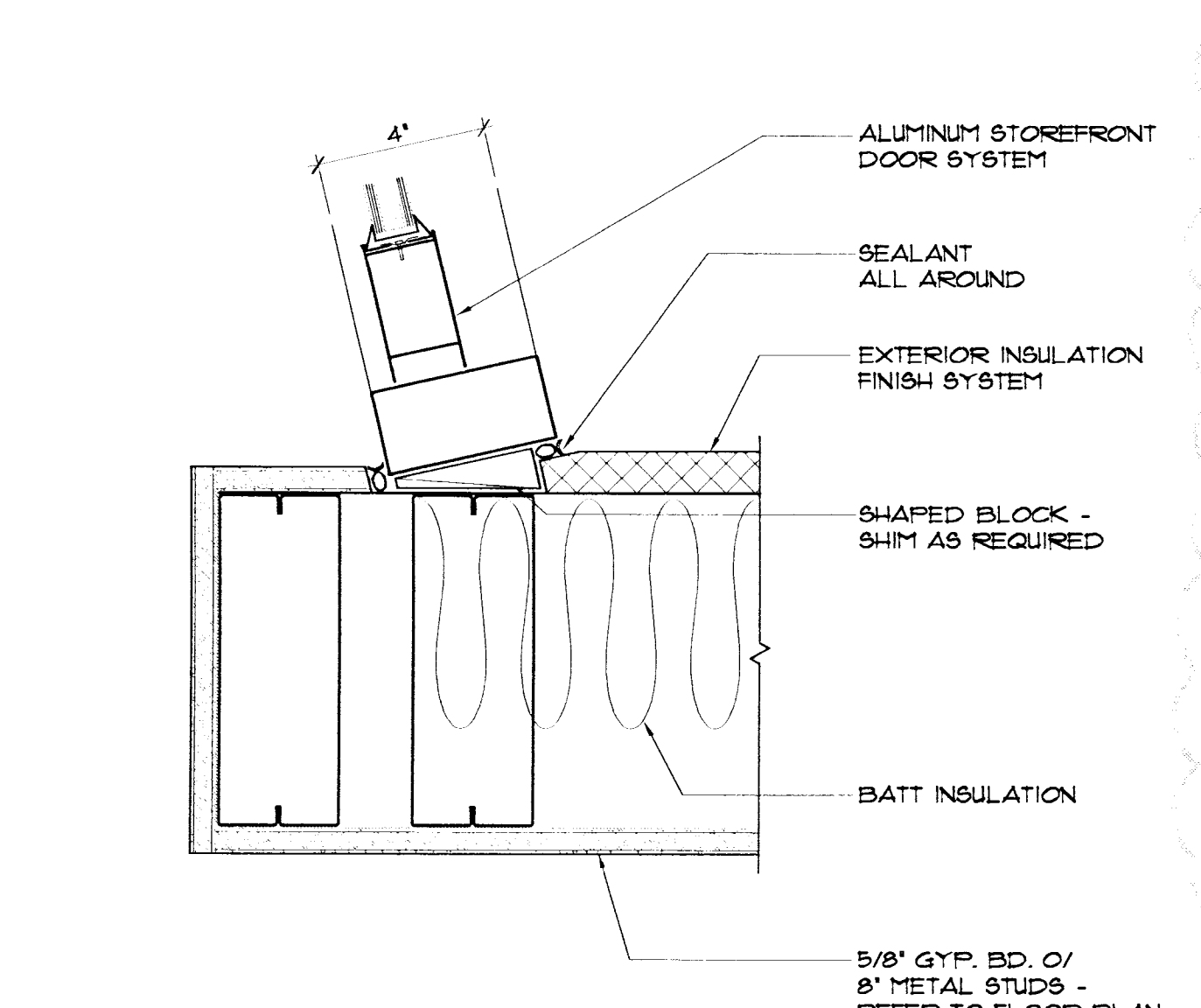
**JAMB**  
SCALE: 3" = 1'-0"



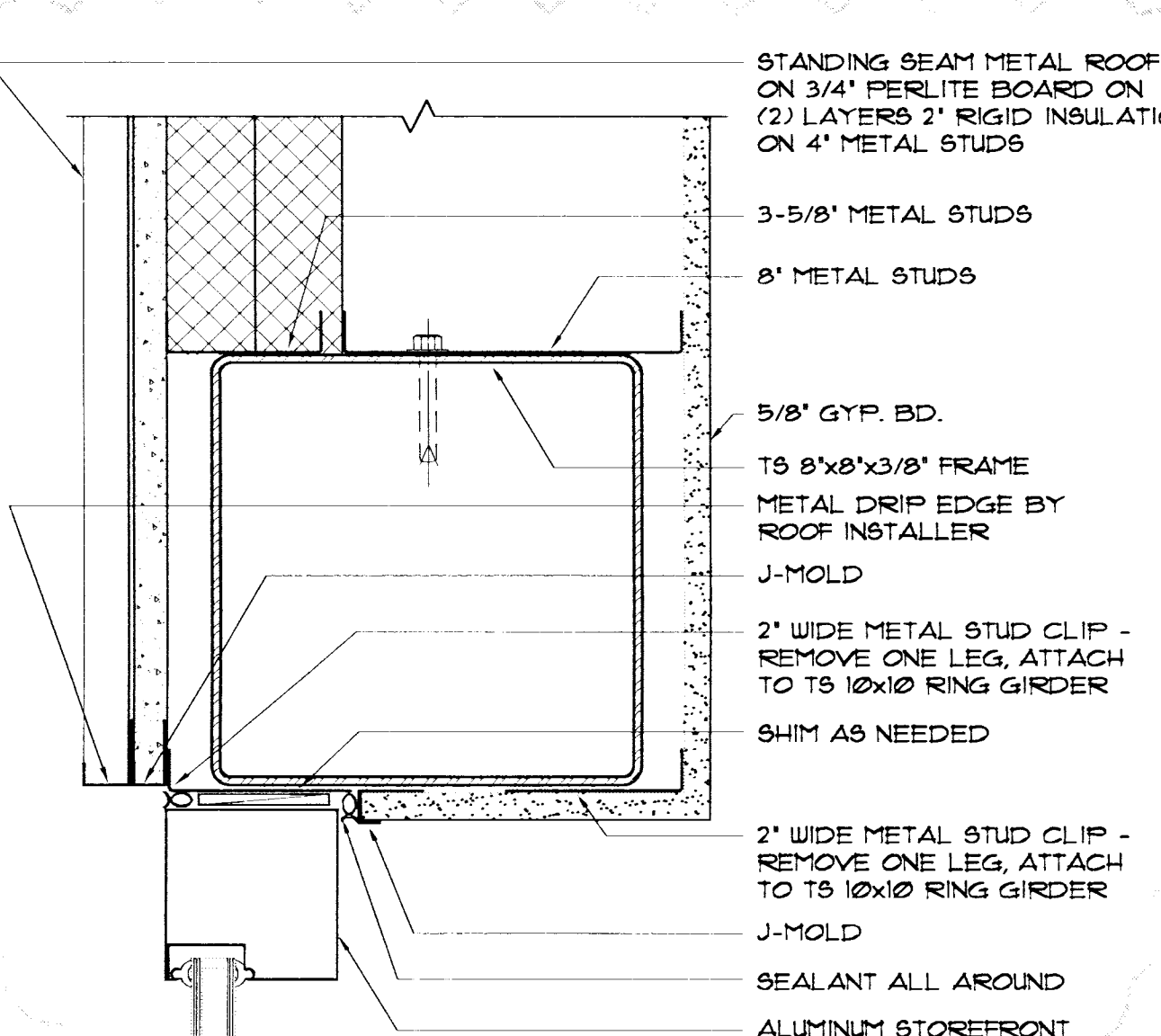
**JAMB**  
SCALE: 3" = 1'-0"



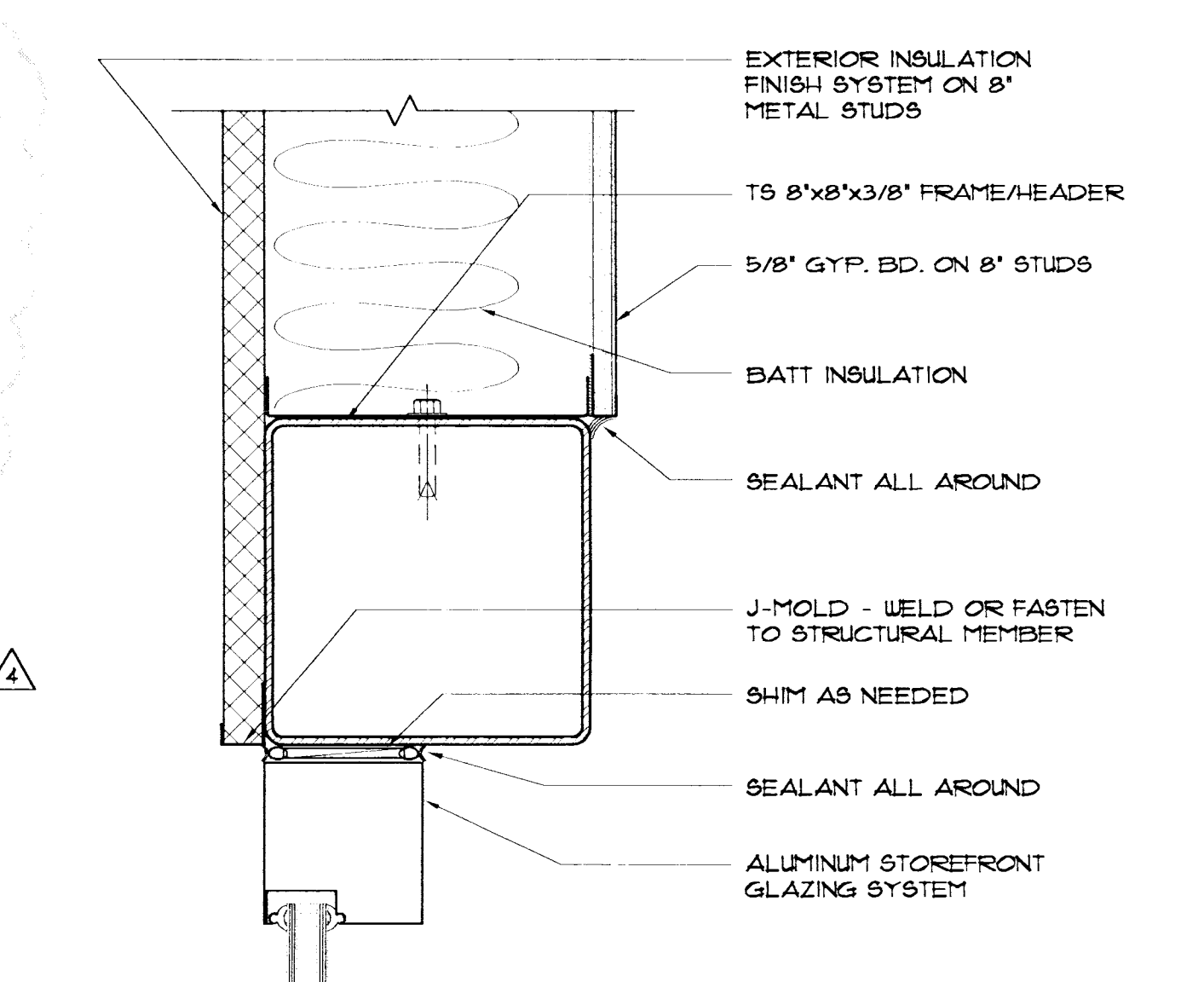
**JAMB**  
SCALE: 3" = 1'-0"



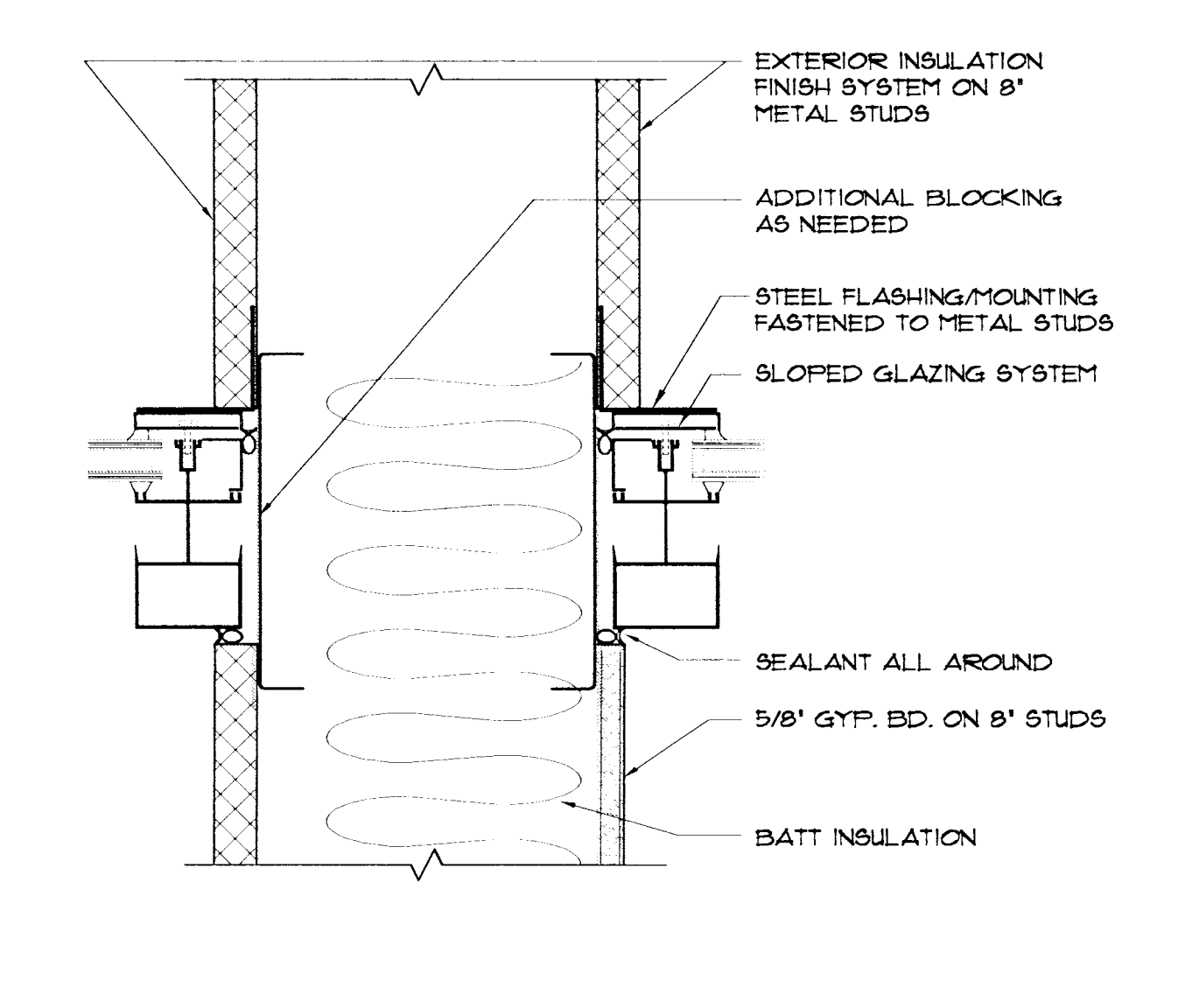
**JAMB**  
SCALE: 3" = 1'-0"



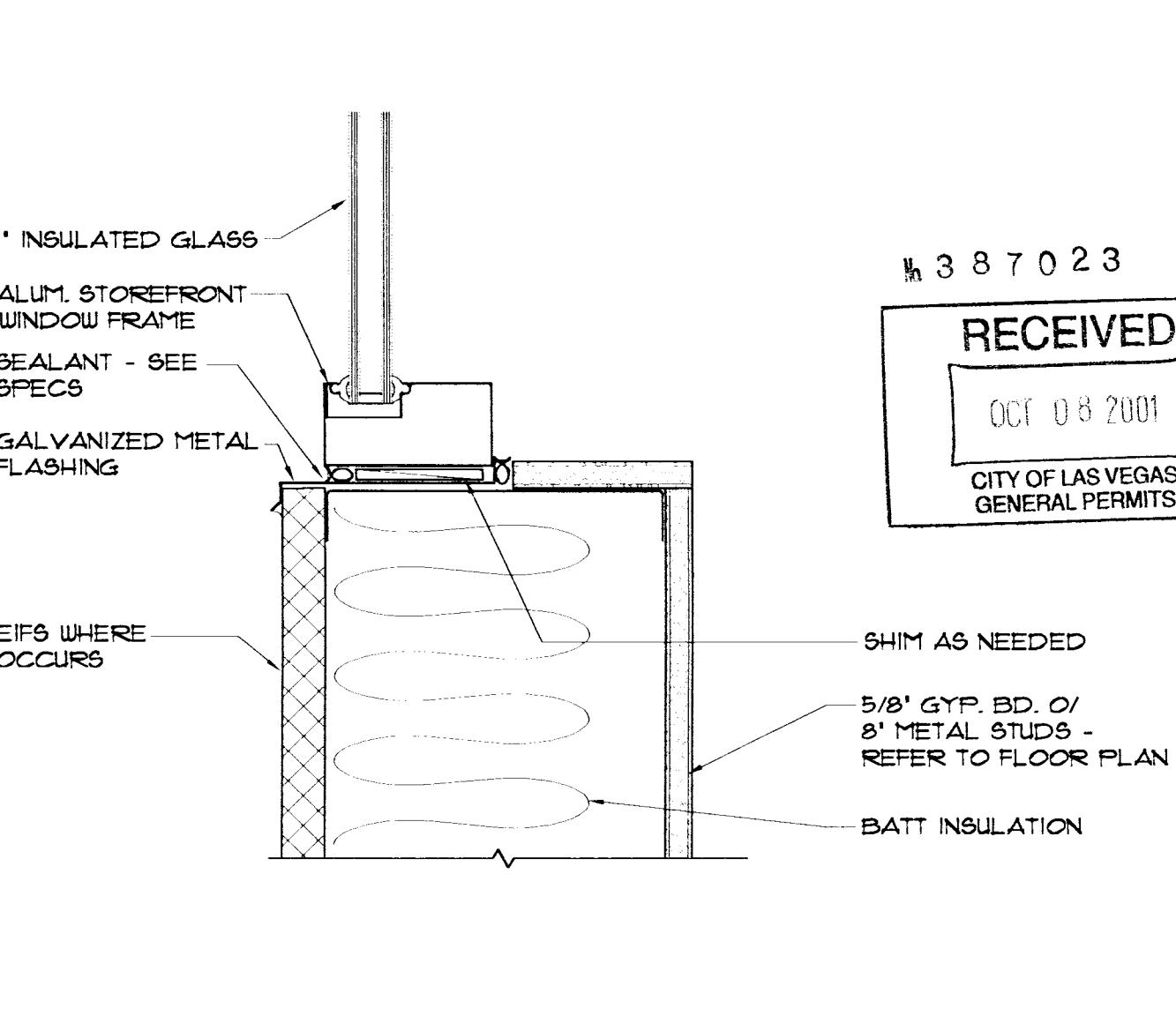
**HEAD**  
SCALE: 3" = 1'-0"



**HEAD**  
SCALE: 3" = 1'-0"



**SLOPED GLAZING at METAL STUDS**  
SCALE: 3" = 1'-0"



**SILL**  
SCALE: 3" = 1'-0"

**DOOR and WINDOW DETAILS**

**SUMMERLIN ARBORS PARK POOL AND POOL BUILDING**

APPROVAL IS FOR CLOUDED AREAS OR LATEST REVISIONS ONLY. SEE ORIGINALS FOR OTHER REQUIREMENTS.

Revisions:  
Date: October 22, 1999  
Project No. 990335-02  
Scale: AS SHOWN  
Drawn By: LGA

