

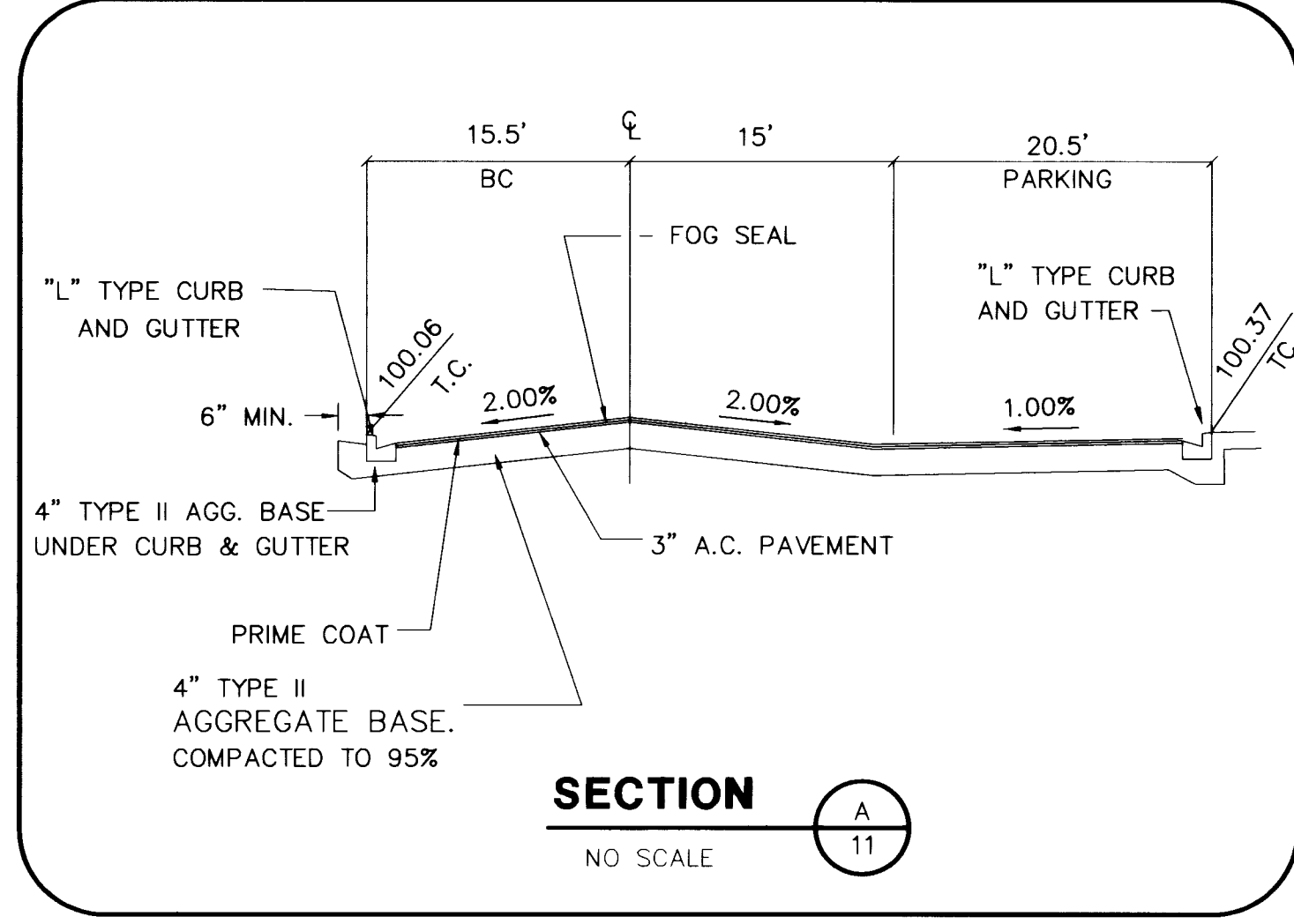
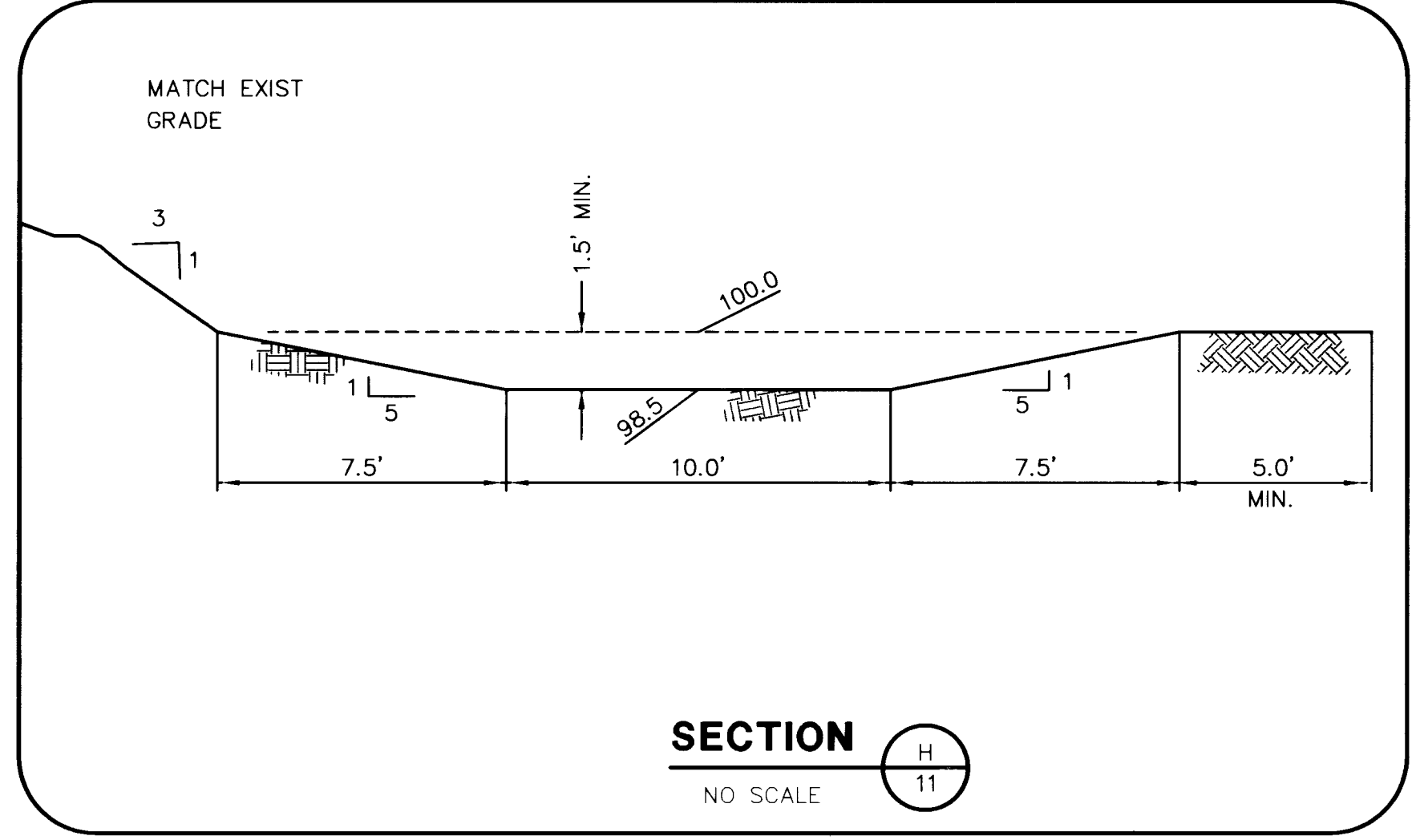
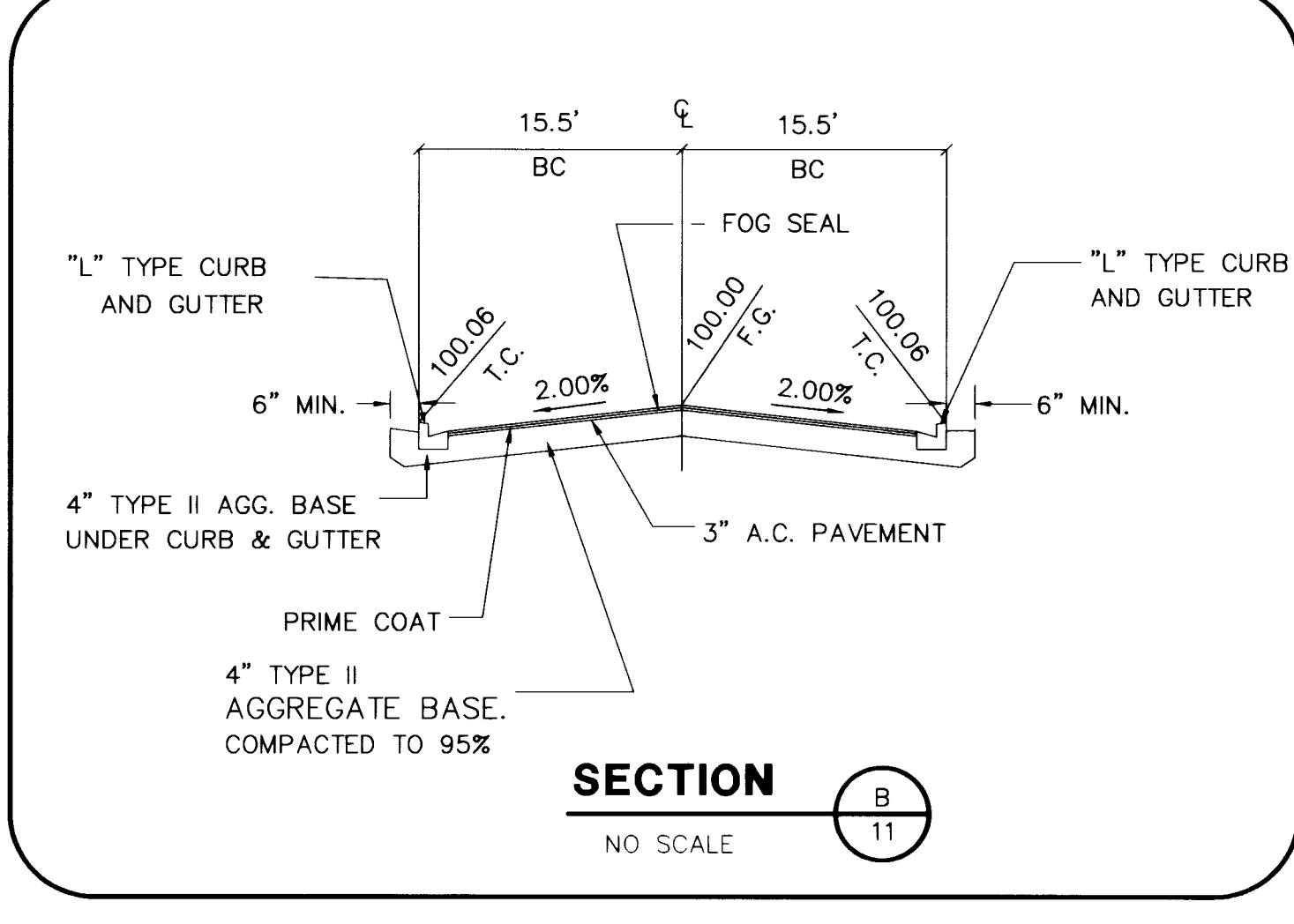
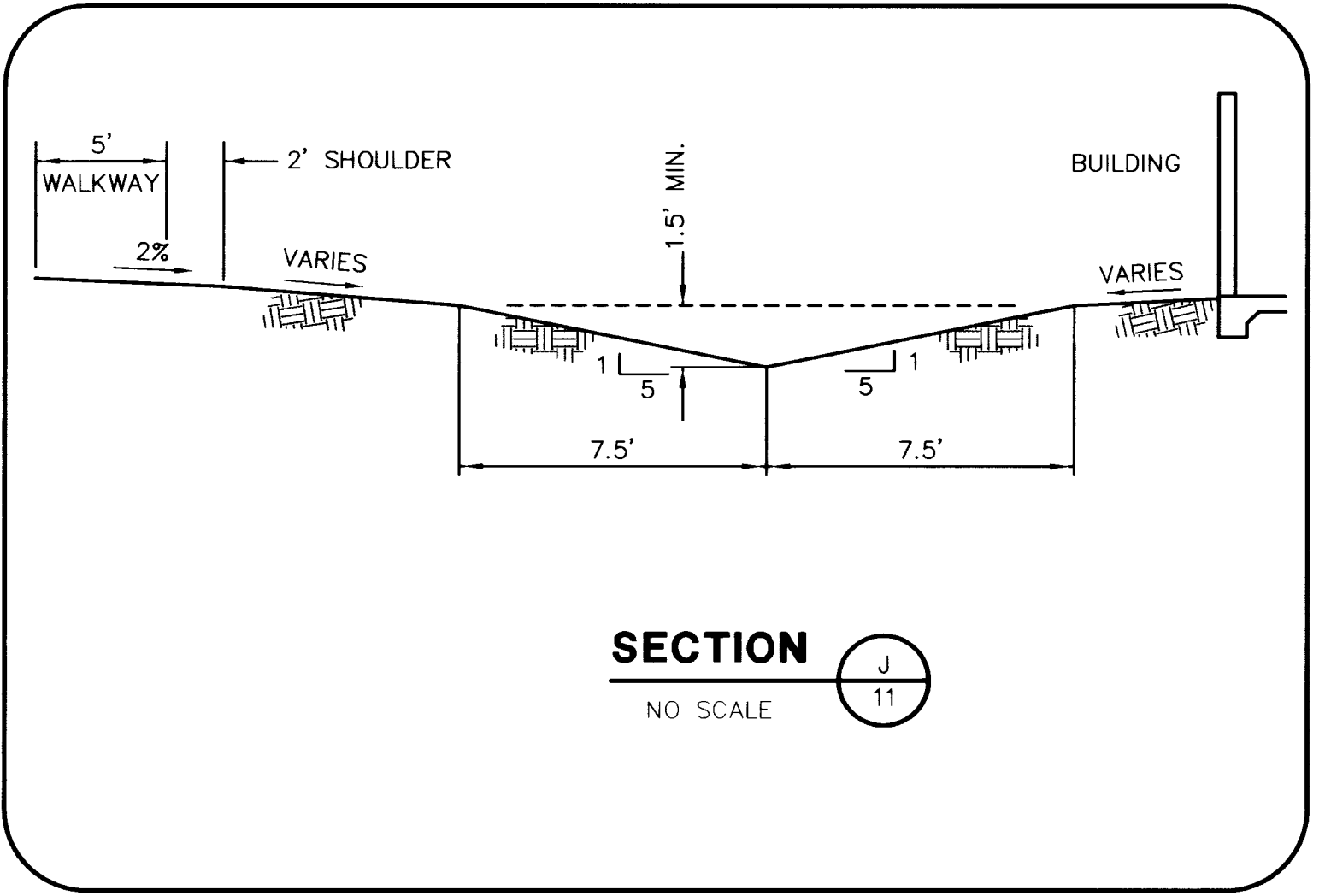
- NOTES:**
- ① - SCARIFY NATIVE 6" AND RECOMPACT TO 95%.
  - ② - LANDSCAPE AREA: EXCAVATED AND RECOMPACT TO 85% OR RIP ENTIRE AREA TO DEPTH INDICATED.
  - ③ - ROUGH GRADE (R.G.) TO BE 4" BELOW FINISH GRADE (F.G.) FOR FUTURE LANDSCAPE PURPOSES.

**BENCHMARK**  
RIVET & PLATE IN TOP OF CURB, NE RETURN OF CHARLESTON BLVD. AND HUALAPAI WAY. (NO. GLV09-36SES)

2909.769	NGVD 1929 DATUM
2912.24	NAVD 1988 DATUM (887.6503 M)
*2910.05	SUMMERLIN DATUM

\* THIS PROJECT BASED ON SUMMERLIN DATUM

**BASIS OF BEARING**  
N 01°12'43" E IS BASED ON THE NEVADA STATE GRID SYSTEM (EAST ZONE) AS DETERMINED FROM THE TRIANGULATION POINTS "RED ROCK" TO "LONE MOUNTAIN".



DATE: \_\_\_\_\_ REV. DATE: \_\_\_\_\_

DESCRIPTION: \_\_\_\_\_

RECOMMENDED: CHRISTOPHER W. ANDERSON P.E. NO. 5071

G.C. WALLACE, INC. Engineering/Architecture SUMMERLIN DIVISION (702) 383-0981

SUMMERLIN 11/12 UNIT 2A THE ARBORS SPORTS PARK PHASE I PARKING LOT, POOL, POOL HOUSE & BALLFIELDS SECTIONS DETAILS 1

SHEET C-11

JOB NO. 398.178

F:\398-178\dwg\improv\PHASE1\SP1SEC11.dwg Sat Jun 27 09:55:11 1998 RICK STRUTZ

