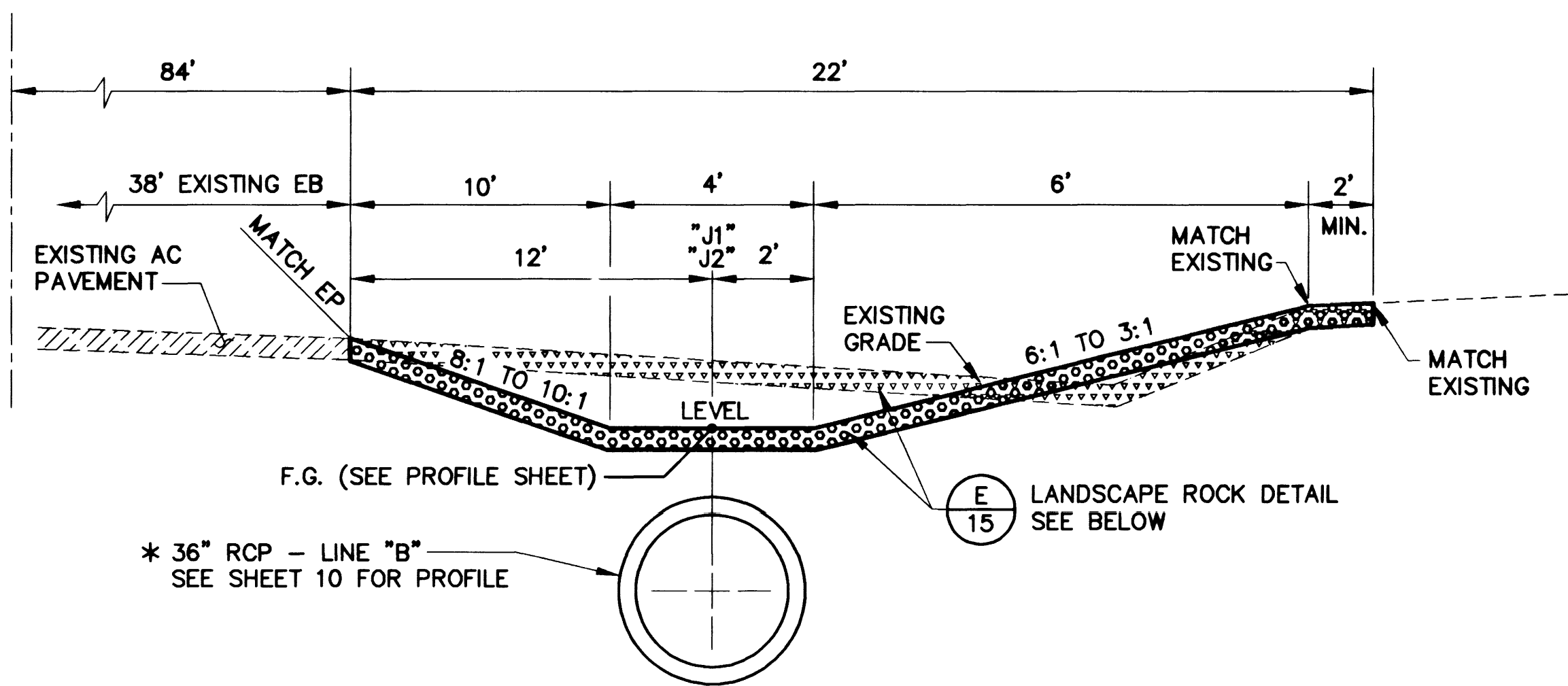
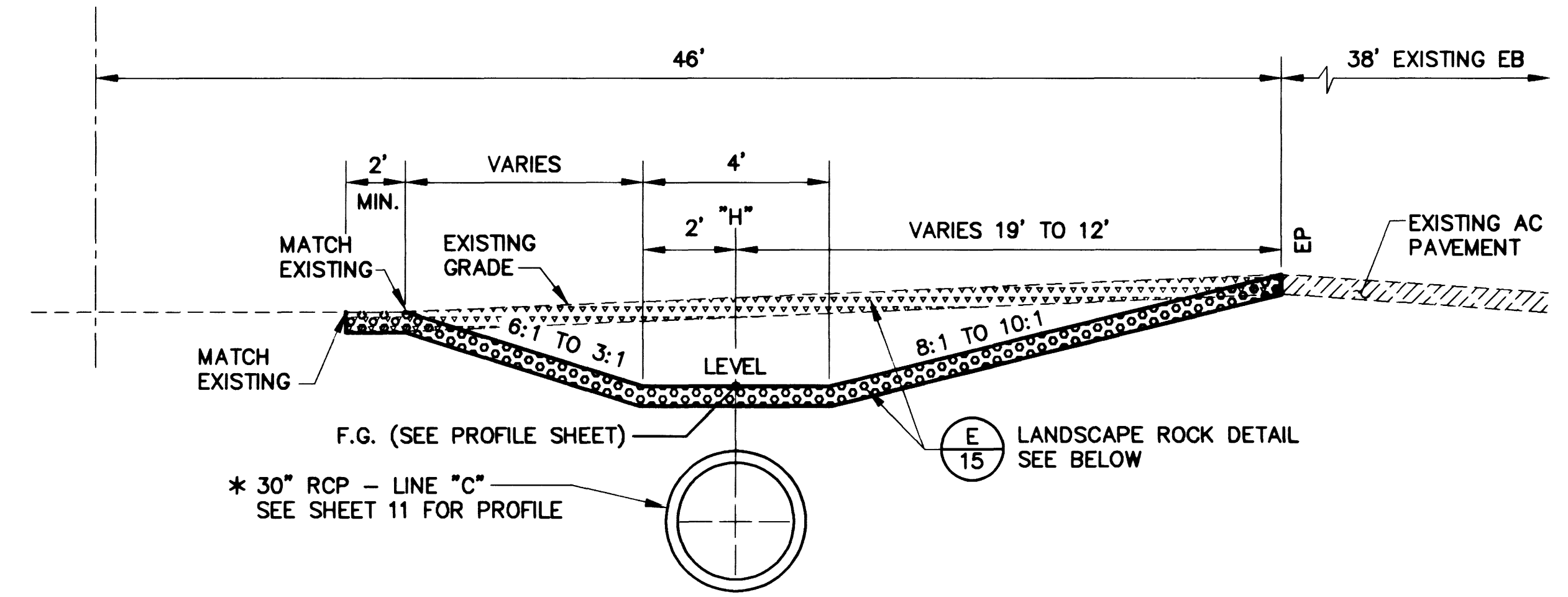


☉
SUMMERLIN
PARKWAY



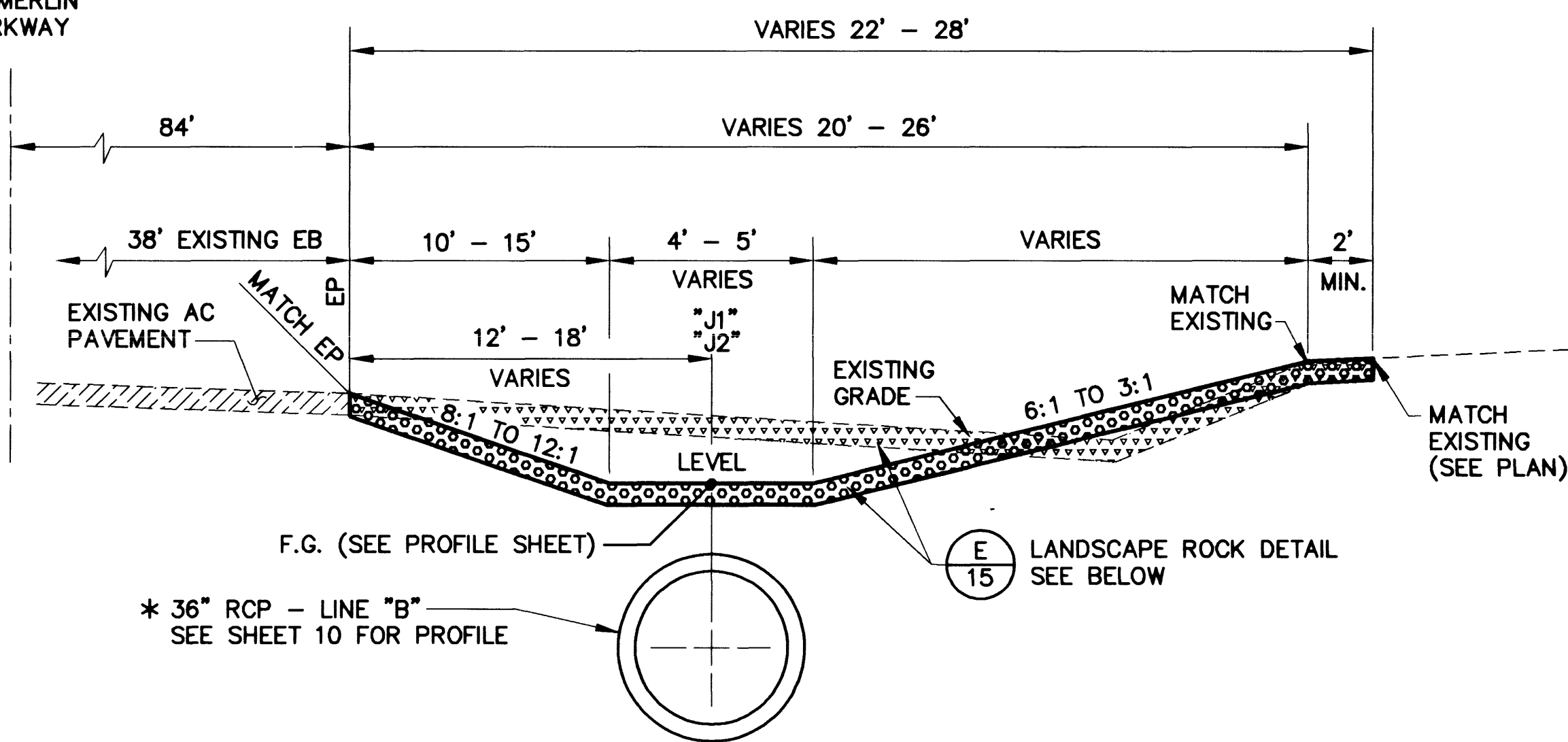
**TYPICAL SECTION
"J" DRAINAGE DITCH**
 (C)
 J2 STA. 1+70.65 TO STA. 9+55.96
 J2 STA. 10+59.68 TO STA. 20+97.50 *
 J1 STA. 1+00 TO STA. 4+76.90

☉
SUMMERLIN
PARKWAY



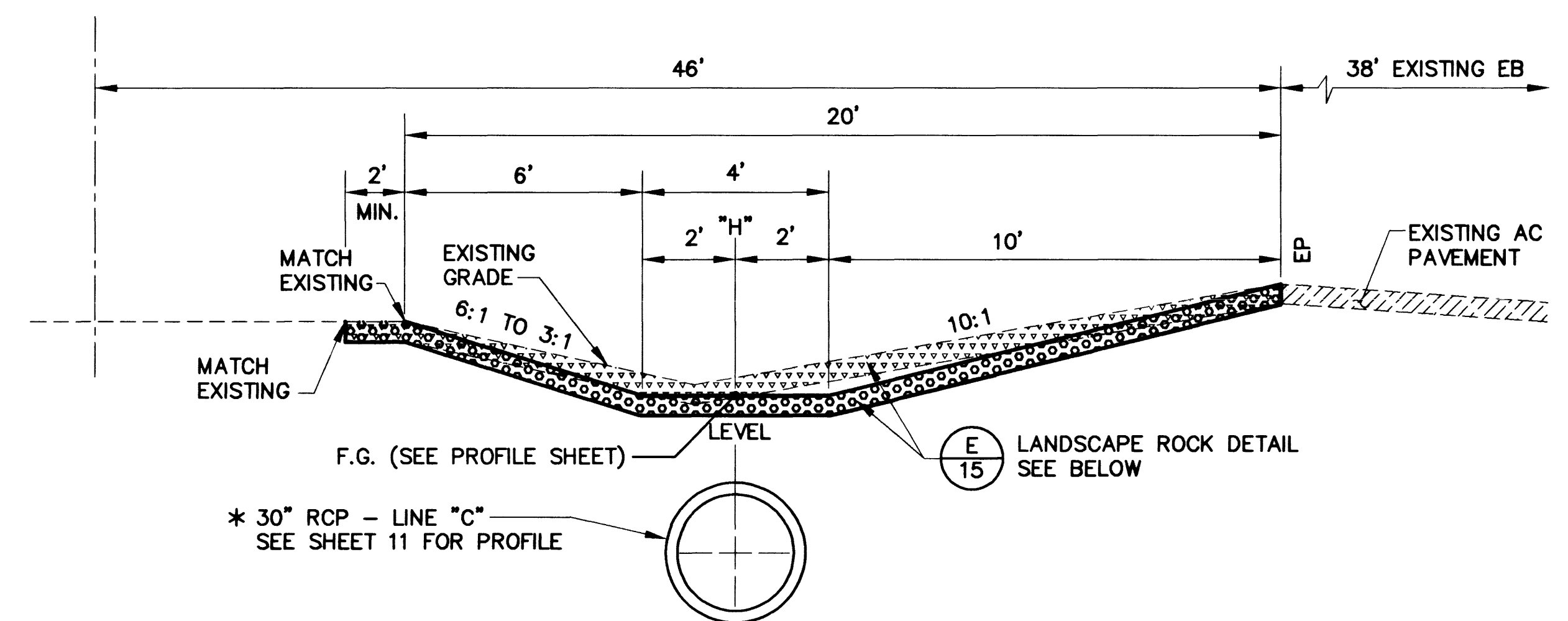
**TYPICAL SECTION
"H" DRAINAGE DITCH**
 (A)
 STA. 4+05.75 TO STA. 4+43.46
 STA. 19+49.58 TO STA. 19+88.50
 STA. 20+14.50 TO STA. 21+17.29 *

☉
SUMMERLIN
PARKWAY

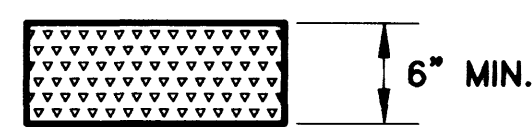


**TYPICAL SECTION
"J" DRAINAGE DITCH**
 (D)
 J2 STA. 9+55.96 TO STA. 9+73.23
 J2 STA. 10+05.23 TO STA. 10+59.68 *
 J1 STA. 4+76.90 TO STA. 6+39.85

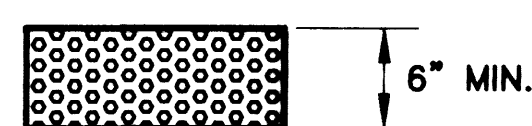
☉
SUMMERLIN
PARKWAY



**TYPICAL SECTION
"H" DRAINAGE DITCH**
 (B)
 STA. 4+43.46 TO STA. 19+49.58
 STA. 21+17.29 TO STA. 30+86.97 *



PRIOR TO STORM DRAIN AND GRADING CONSTRUCTION
6" DEPTH OF LANDSCAPE ROCK IS TO BE REMOVED
AND STOCKPILED



AFTER STORM DRAIN AND GRADING CONSTRUCTION
6" DEPTH OF LANDSCAPE ROCK IS TO BE REPLACED
USING STOCKPILED MATERIAL AND SUPPLEMENTED
WITH ADDITIONAL ROCK

**TYPICAL SECTION
LANDSCAPING ROCK**
 (E)

DATE	
REVISIONS	
SCALE (H)	N/A
SCALE (V)	N/A
FLD. BK. #	N/A
DATE	6/30/98
DESIGN BY	R.E.
W.A. #	W0000
PROJECT ENGINEERING CONSULTANTS, LTD.	
7320 SMOKE RANCH ROAD, SUITE H	
LAS VEGAS, NV. 89128 PH. (702) 360-1044	
DEPARTMENT OF PUBLIC WORKS	
PROJECT: SUMMERLIN PARKWAY DRAINAGE IMPROVEMENTS AT BUFFALO DRIVE	
SHEET: TYPICAL SECTIONS DRAINAGE DITCHES "H", "J" & "J2"	
REGISTERED PROFESSIONAL ENGINEER	
RICHARD CHEN	
NO. 8540	
DRAWING NO.	15
307-V249	16

L7002a15.dwg JMC 06/29/98 07:52:10