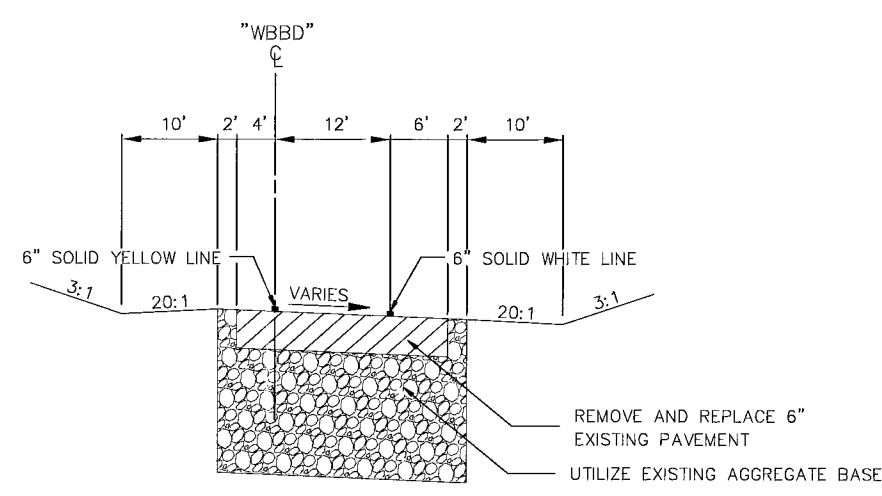




FULL-DEPTH PAVEMENT REPLACEMENT
"WBSP" 584+29.45 TO "WBSP" 592+75.37
TYPICAL SECTION



BUFFALO DRIVE WB OFF RAMP
FULL-DEPTH PAVEMENT
REPLACEMENT TYPICAL SECTION

RECORD DRAWINGS
 RECORD DRAWINGS COMPLETED: 10/9/08
 BY G. C. WALLACE, INC.
 PROJECT FINAL COMPLETION: 06/08
 CONTRACTOR: SOUTHERN NEVADA PAVING
 CONSTRUCTION MANAGER: CITY OF LAS VEGAS
 THESE DRAWINGS HAVE BEEN ALTERED TO INDICATE AS-BUILT INFORMATION AS PROVIDED BY THE CONSTRUCTION CONTRACTOR. THIS DATA MAY NOT REFLECT ACTUAL FIELD CONDITIONS. ALL DATA SHOULD BE CONFIRMED PRIOR TO INCLUSION IN SUBSEQUENT PLANS.

* LINE WIDTH AND MATERIAL VARIES, SEE C-SHEETS FOR ADDITIONAL INFORMATION

SCALE (P): NONE	SCALE (V): NONE	W.A. #:	REVISIONS	DATE
FLD. BK. #:	DATE: 05/09/08	DESIGN BY: MDM		
 G. C. WALLACE COMPANIES ENGINEERS PLANNERS SURVEYORS 1555 S. RAINBOW BOULEVARD - LAS VEGAS, NV 89146 T: 702.894.2000 F: 702.894.2299 GCWALLACE.COM				
 CITY OF LAS VEGAS				
DEPARTMENT OF FIELD OPERATIONS PROJECT: SUMMERLIN PARKWAY CC 215 TO US 95				
TYPICAL SECTIONS				
RECORD DRAWINGS COVER SHEET SEALED 5/8/08 ENGINEER OF RECORD: MATTHEW D. MEYER P.E. No. 15790 DATE SIGNED: _____ DRAWING NO. G-5				

113846

107V5135