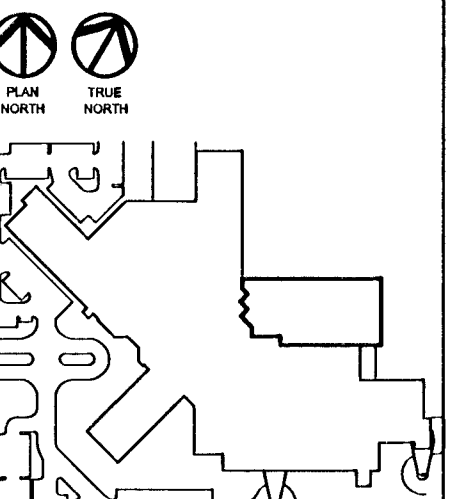


DATE: 07-02-2008

KEY PLAN



REVISION

PC 019
JUNE 30, 2008

HKS PROJECT NUMBER

9942.003

DATE

09-27-06

ISSUE

CITY REVIEW

SHEET TITLE

UTILITY

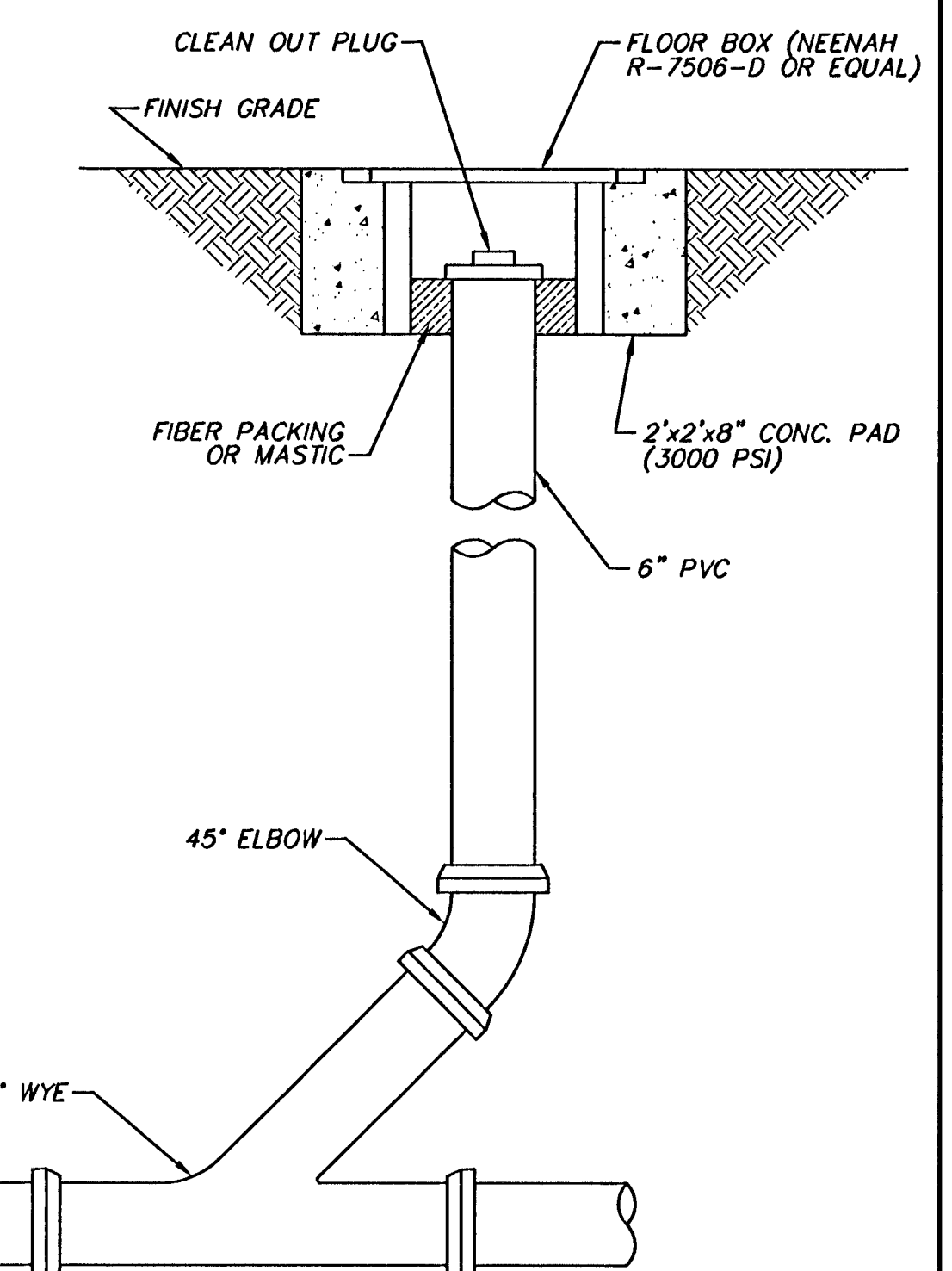
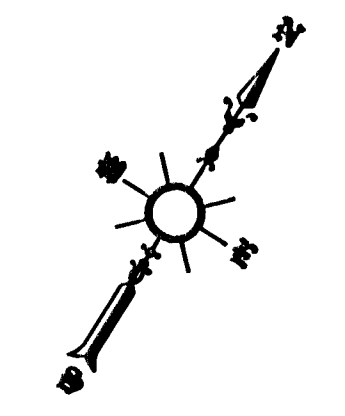
PLAN

C3.0

SHEET NO. 13 OF 20

107V4772

© 2008 HKS ARCHITECTS INC.



CLEAN OUT DETAIL

CLV FIRE DEPT. DATE: 9/12/08

ALL ON-SITE SANITARY SEWER AND STORM DRAIN ARE PRIVATE

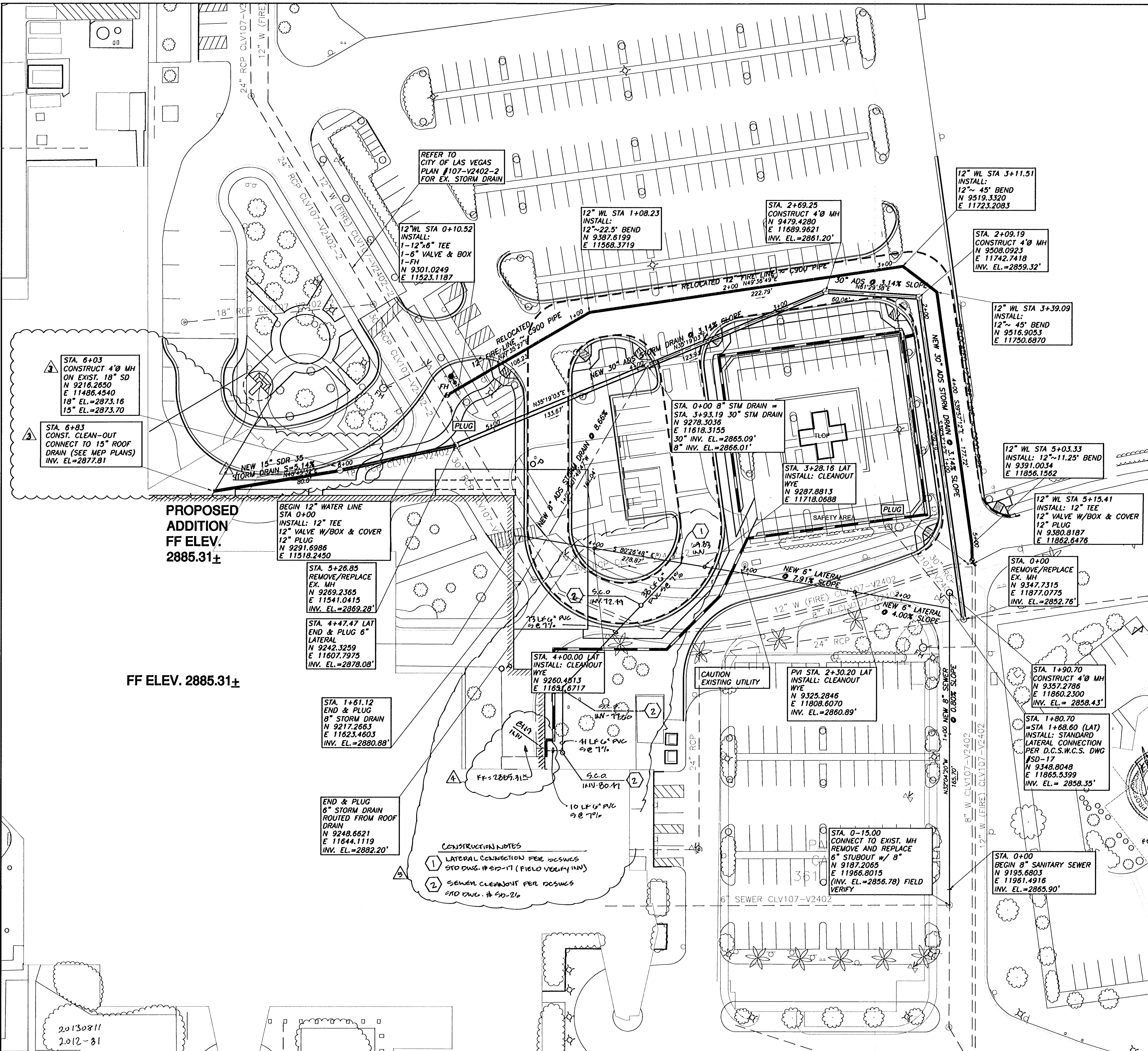
SEWER CONTRIBUTION
ESTIMATED AVERAGE DAILY SEWAGE FLOW: 0.0099 MGD
ESTIMATED PEAK DAILY SEWAGE FLOW: 0.0396 MGD

CAUTION TO CONTRACTOR
THE CONTRACTOR SHALL BE RESPONSIBLE TO INVESTIGATE AND VERIFY THE ACTUAL LOCATION AND DEPTH OF ALL EXISTING UNDERGROUND FACILITIES AT LEAST 48 HOURS IN ADVANCE OF THE PERFORMANCE OF ANY WORK.

BASIS OF BEARINGS:
NORTH 40°08'34" WEST EAST BEING THE CENTERLINE OF BANBERRY CROSS DRIVE AS SHOWN PLAT MAPS IN BOOK 64, PAGE 67 ON FILE AT THE CLARK COUNTY RECORDER'S OFFICE.

BENCHMARK:
CITY OF LAS VEGAS BENCHMARK #11V092256, A RIVET & PLATE IN TOP OF CURB AT NORTHWEST CORNER OF CRESTDALE LANE AND HUALAPAI.
ELEVATION = 891.3026 METERS, 2924.22 FEET (NAVD 88)

REV	DESCRIPTION:	DATE:	BY:	R.C.
1	ADDITION OF STORM DRAIN CLEAN-OUT	9/11/08	KB	
2	REVISED PWD.	9/12/08	KB	
3	20060 SEWER LATERAL	10/13/12	KB	
4		2/27/2013		



- CONSTRUCTION NOTES**
- LATERAL CONNECTION PER DESIGNS STD DWG. #SD-17 (FIELD VERIFY INV)
 - SEWER CLEANOUT PER DESIGNS STD DWG. #SD-26

Drawing: P:\DWG\200806-00-Summerlin_Hospital_ED\Drawings\C3_Utilities.dwg by tom.gallice
 Layout: Layout1 Xrefs: 0625246.dwg - Master.dwg - WMPF.dwg - WMPF.dwg - WMPF.dwg - WMPF.dwg
 FILE NAME: C:\Users\jgarcia\Documents\01.dwg
 PLOT DATE: 20130811
 2012-81
 103556