

HKS PROJECT NUMBER  
**9942.003**

DATE  
**09-27-06**

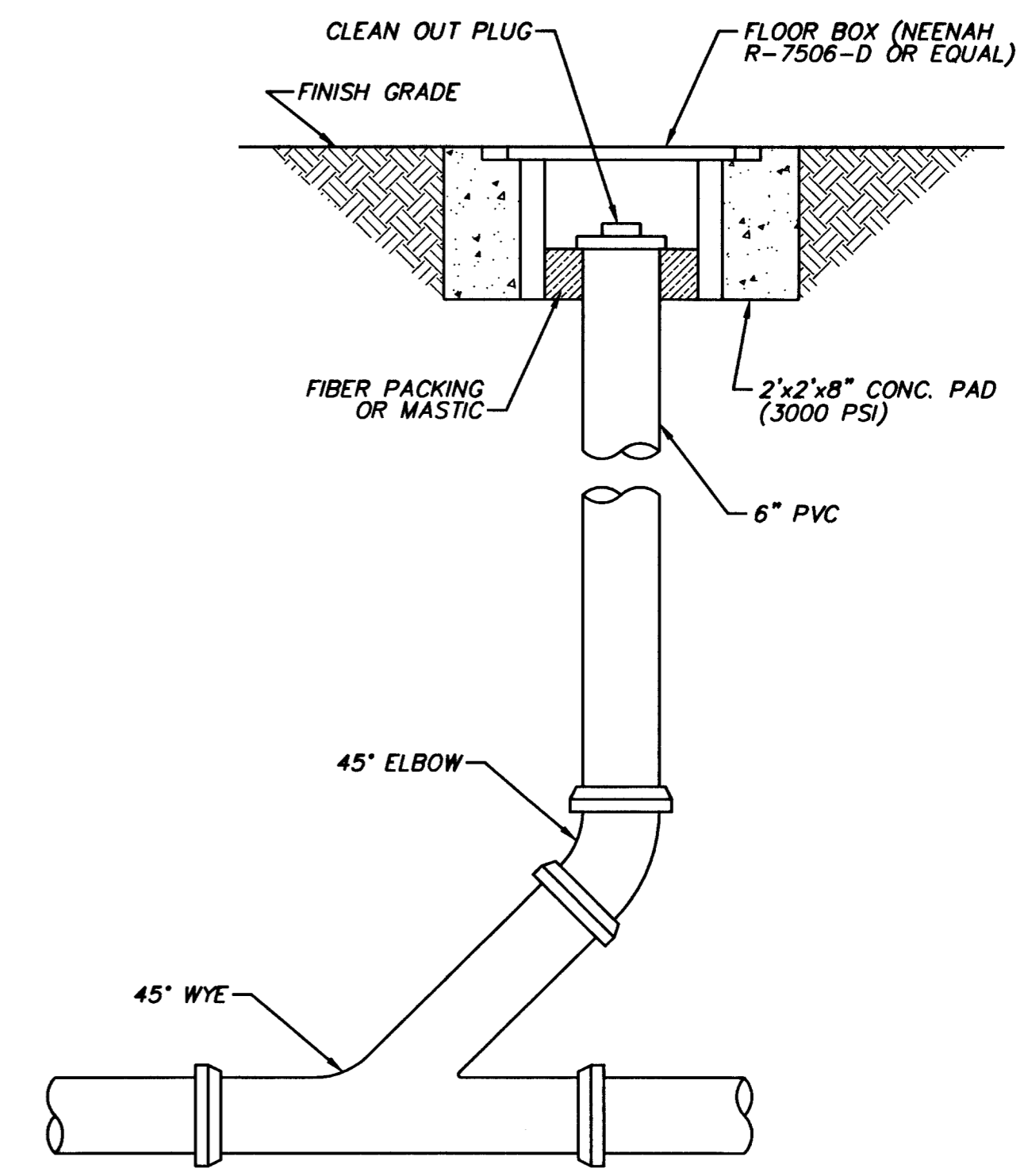
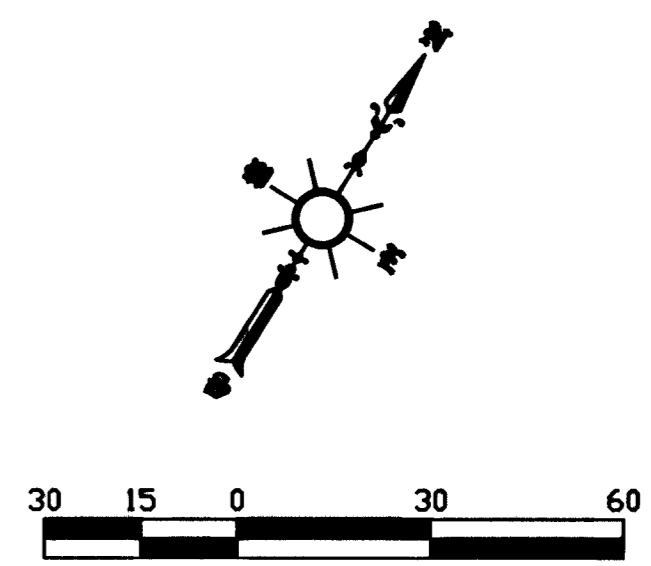
ISSUE  
**CITY REVIEW**

SHEET TITLE  
**UTILITY PLAN**

REV: DESCRIPTION: DATE: BY:

1	Rev San Sewer	8/30/7	Kg

**C3.0**  
SHEET NO. 13 OF 20  
107V 4772



**CLEAN OUT DETAIL**

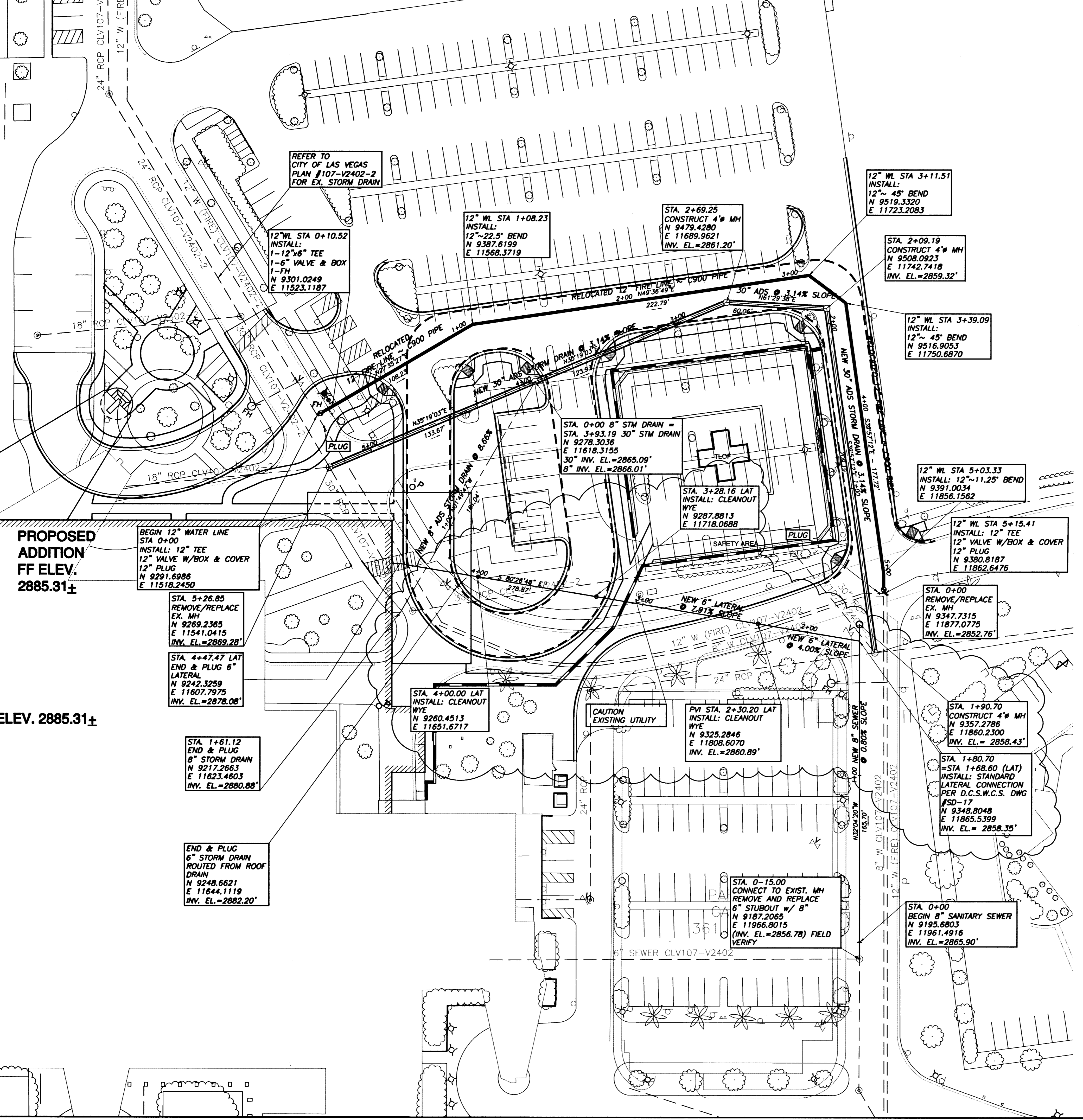
**ALL ON-SITE SANITARY SEWER AND STORM DRAIN ARE PRIVATE**

**SEWER CONTRIBUTION**  
ESTIMATED AVERAGE DAILY SEWAGE FLOW: 0.0099 MGD  
ESTIMATED PEAK DAILY SEWAGE FLOW: 0.0396 MGD

**CAUTION TO CONTRACTOR**  
THE CONTRACTOR SHALL BE RESPONSIBLE TO INVESTIGATE AND VERIFY THE ACTUAL LOCATION AND DEPTH OF ALL EXISTING UNDERGROUND FACILITIES AT LEAST 48 HOURS IN ADVANCE OF THE PERFORMANCE OF ANY WORK.

**BASIS OF BEARINGS:**  
NORTH 40°08'34" WEST EAST BEING THE CENTERLINE OF BANBURY CROSS DRIVE AS SHOWN PLAT MAPS IN BOOK 64, PAGE 87 ON FILE AT THE CLARK COUNTY RECORDER'S OFFICE.

**BENCHMARK:**  
CITY OF LAS VEGAS BENCHMARK #11092296, A RIVET & PLATE IN TOP OF CURB AT NORTHWEST CORNER OF CRESTDALE LANE AND HUALAPAI.  
ELEVATION = 891.3026 METERS, 2924.22 FEET (NAVD 88)



**PROPOSED ADDITION**  
FF ELEV. 2885.31±

FF ELEV. 2885.31±

105040

FILE NAME: FILE DATE: XREFS:

Layout: Layout  
Xrefs: 060246.dwg - 10/20/06.dwg - Master.dwg - prop-base.dwg - WWP1.dwg - WWP2.dwg - ex-util.dwg - 000SP-Civil.dwg - 01RSP.dwg - CivilLumberCoord.3.MEP.1.dwg