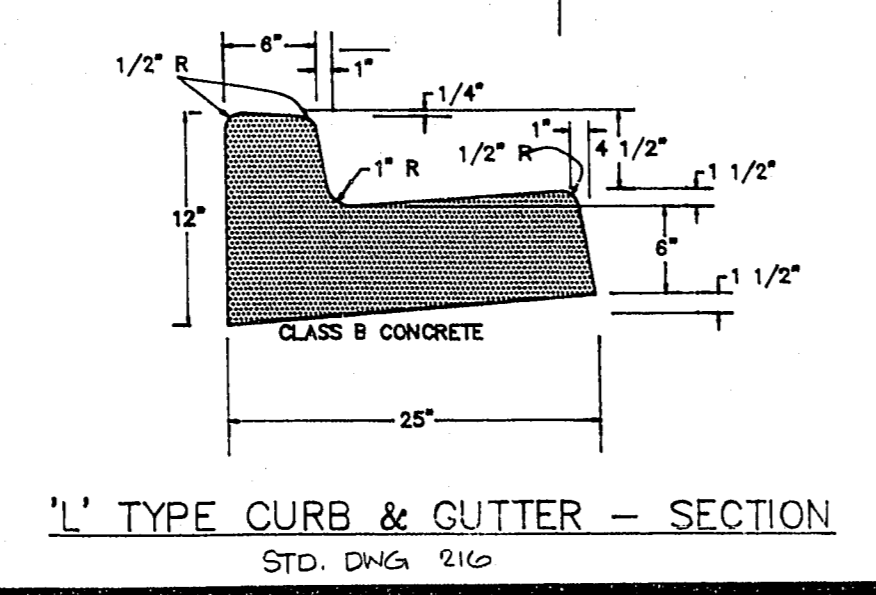
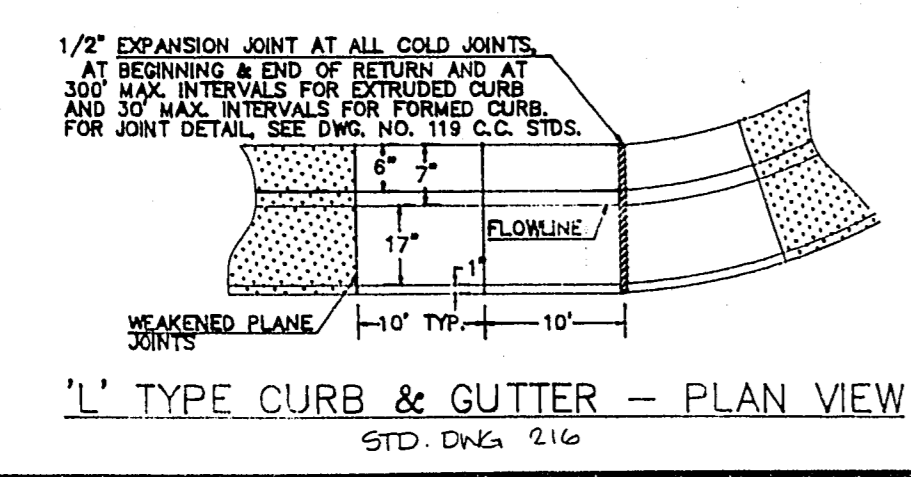
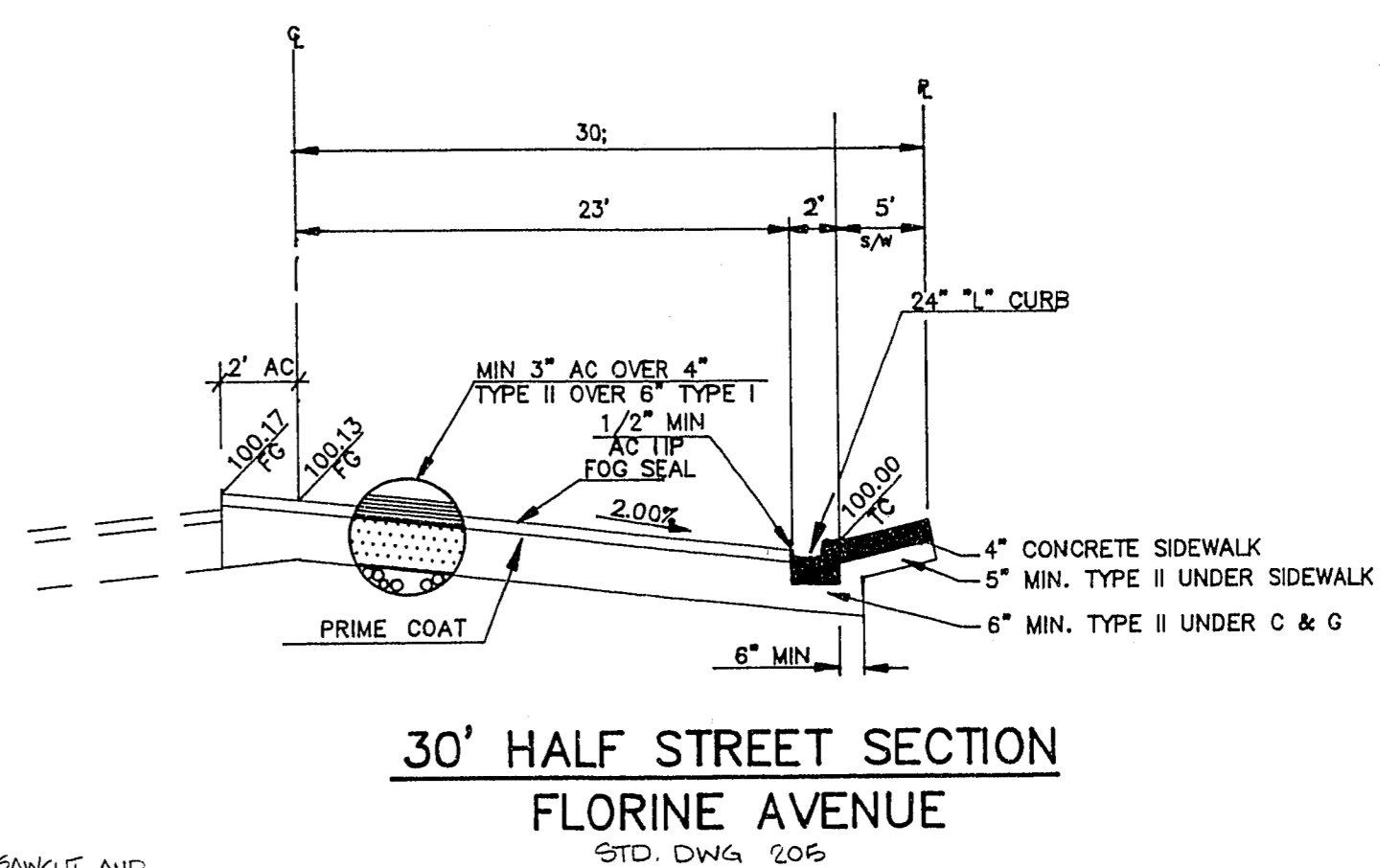
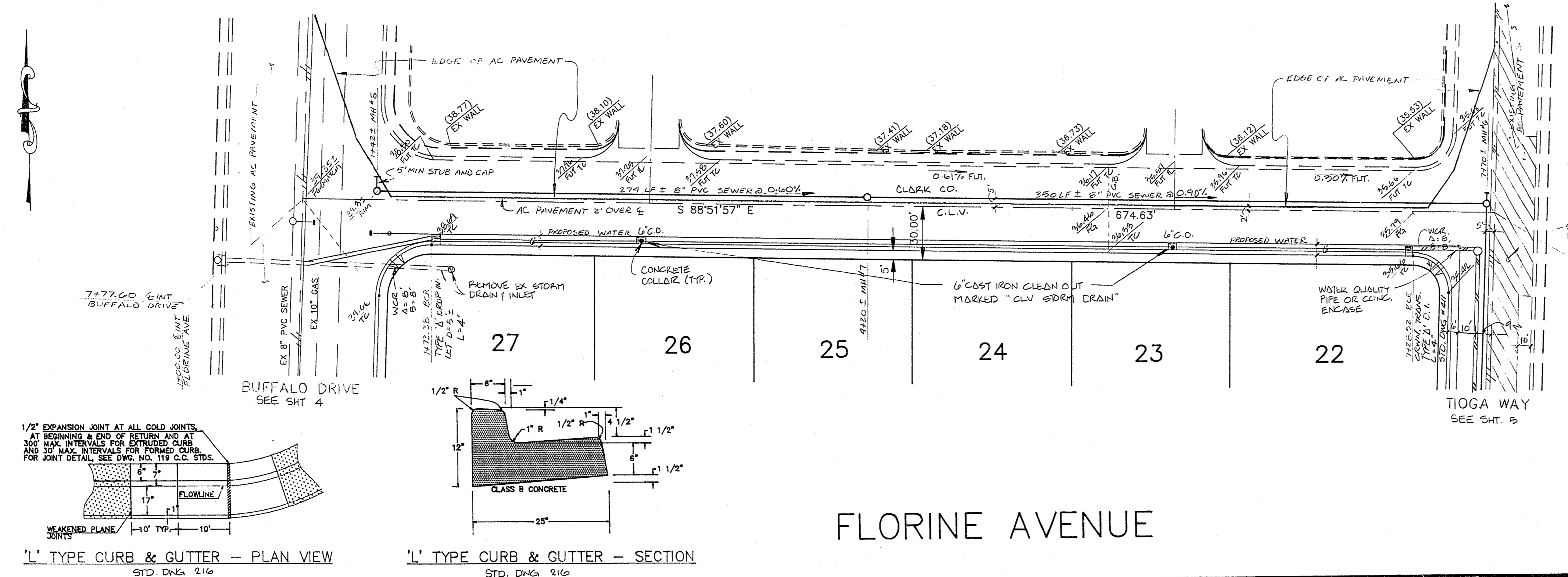


HOR: 1" = 40'
 VER: 1" = 4'



FLORINE AVENUE

NO.	DATE	BY	APP.	REVISION DESCRIPTION

DATE: 7/16/92

SOUTHWEST ENGINEERING
 LAND PLANNING-MAPPING-DEVELOPMENT
 8550 WEST VEGAS DRIVE
 LAS VEGAS, NEVADA 89120
 (702) 648-9700

TITLE: STREET & SEWER PLAN & PROFILE
 PROJECT: SUMMERCREST ESTATES NO.3
 FLORINE AVENUE

WORK ORDER NO: 920325
 DESIGN BY: D. PETERS
 DATE: 7/92
 SCALE: 1" = 40'
 SHEET 4 OF 11 SHEETS
 CADFILE: SUMP4.DWG

NOTICE!
 EXISTING UTILITIES ARE LOCATED ON THE PLANS FOR THE CONVENIENCE OF THE CONTRACTOR ONLY. THE ENGINEER BEARS NO RESPONSIBILITY FOR THE LOCATION OF UTILITIES SHOWN OR NOT SHOWN ON THE PLANS. THE CONTRACTOR SHALL NOTIFY ALL UTILITY COMPANIES BEFORE STARTING CONSTRUCTION AND IT SHALL BE THE RESPONSIBILITY OF THE CONTRACTOR TO VERIFY THE LOCATION OF ALL UTILITIES WITH THE UTILITY COMPANIES.

AVOID CUTTING UNDERGROUND UTILITIES. IT'S COSTLY.
CALL BEFORE YOU Dig
 1-800-227-2600
 (UNDERGROUND SERVICE DATA)

1074-17 107Y-4158-3