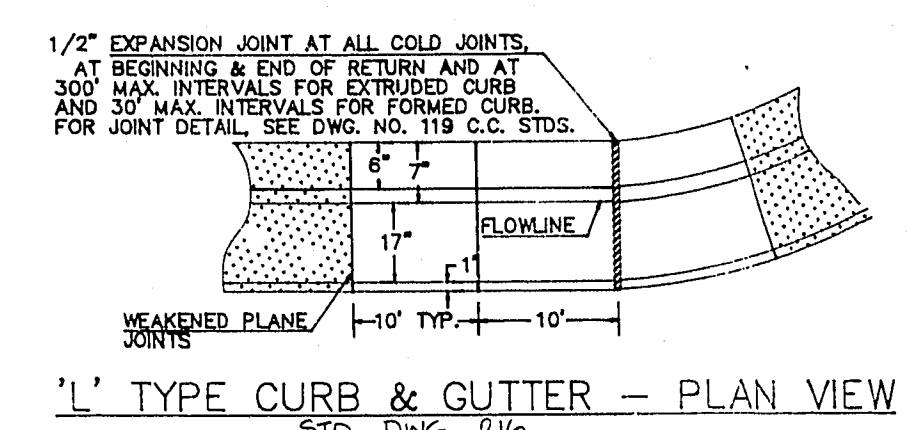
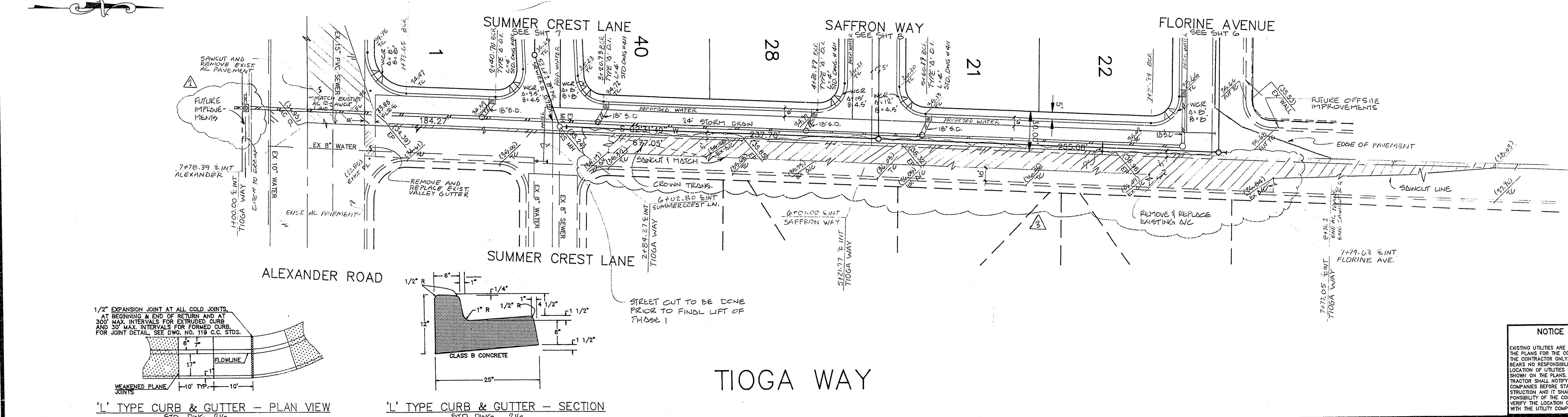
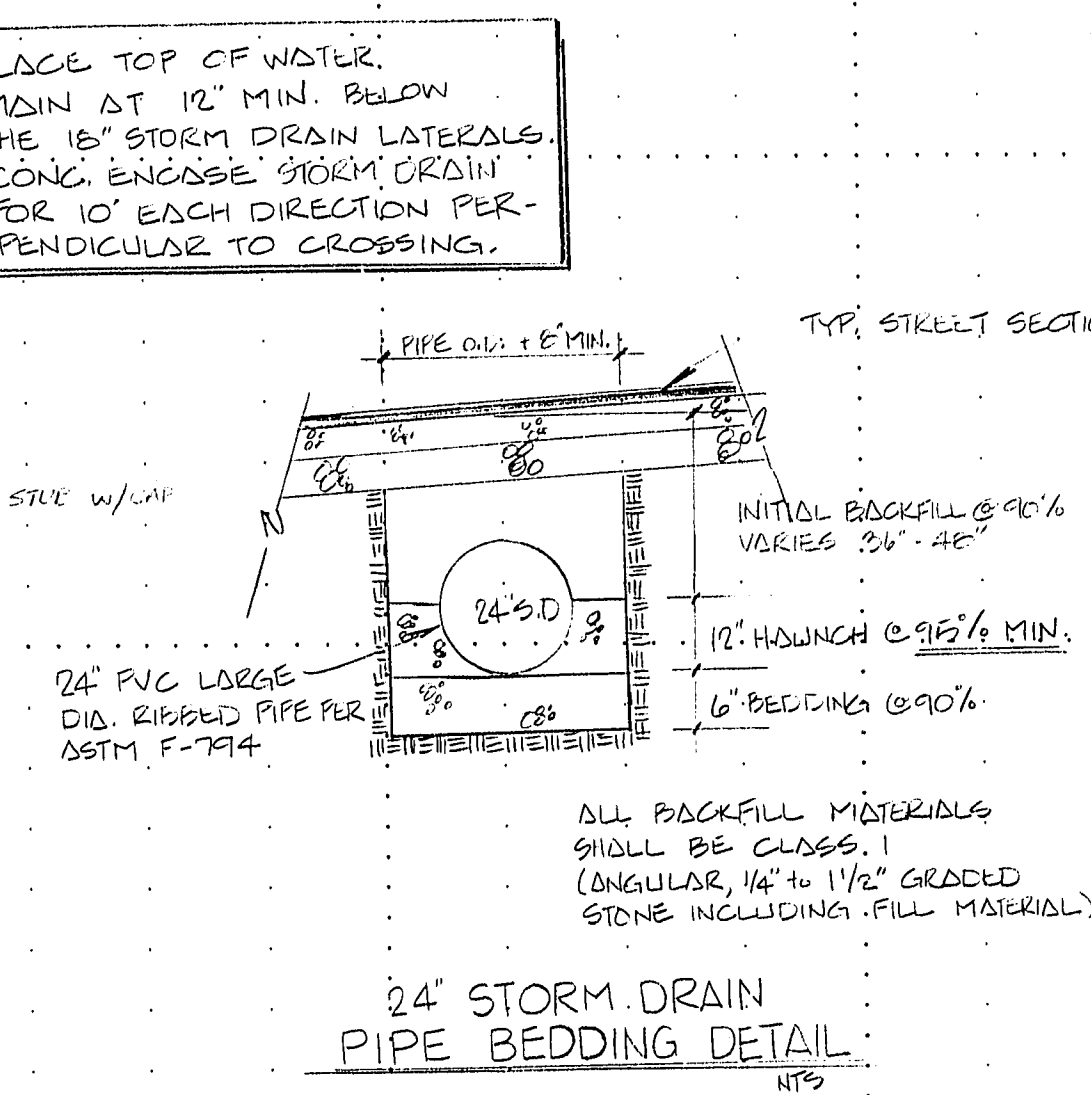


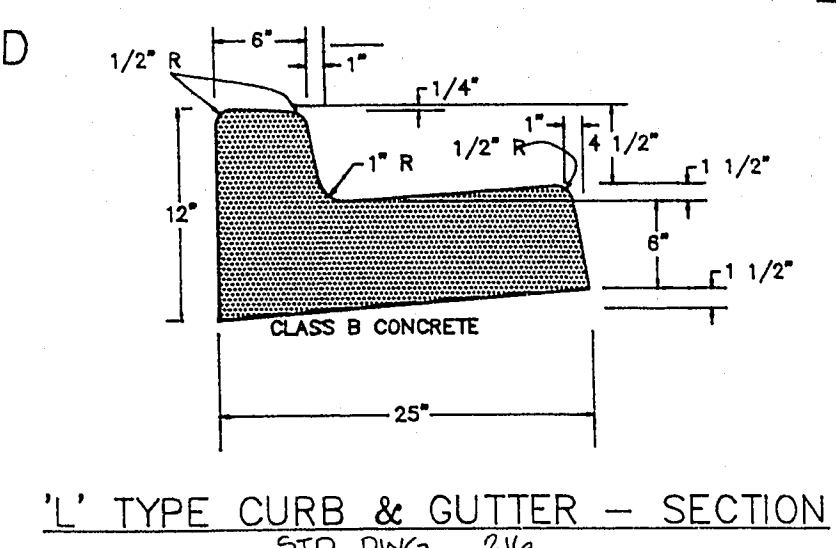
30' HALF STREET SECTION
TIOGA WAY STD. DWG 205

HOR: 1" = 40'
VER: 1" = 4'

SEE SHIT 3011 FOR
WGR DETAIL



L' TYPE CURB & GUTTER - PLAN VIEW
STD. DWG 216



L' TYPE CURB & GUTTER - SECTION
STD. DWG 216

TIOGA WAY

NOTICE 1
EXISTING UTILITIES ARE LOCATED ON THE PLANS FOR THE CONVENIENCE OF THE CONTRACTOR ONLY. THE ENGINEER BEARS NO RESPONSIBILITY FOR THE LOCATION OF UTILITIES SHOWN OR NOT SHOWN ON THE PLANS. THE CONTRACTOR SHALL NOTIFY ALL UTILITY COMPANIES BEFORE STARTING CONSTRUCTION AND IT SHALL BE THE RESPONSIBILITY OF THE CONTRACTOR TO VERIFY THE LOCATION OF ALL UTILITIES WITH THE UTILITY COMPANIES.

CALL BEFORE YOU DIG

1-800-227-2600
UNDERGROUND SERVICE CO.

REVISION DESCRIPTION	DATE	BY
REVISED TO REFLECT EX. C. WATER MAIN LOCATED UNDER	7/17/92	U
ADJUSTED MANHOLE	7/17/92	U
REMOVE LENGTH OF SANIT LINE	7/17/92	U

DATE: 7/16/92

SOUTHWEST ENGINEERING
LAND PLANNING/MAPPING/DEVELOPMENT
4550 WEST VEGAS DRIVE
LAS VEGAS, NV 89102
702.648.9700

TITLE: STREET & SEWER PLAN & PROFILE
PROJECT: TIOGA WAY
SUMMERCREST ESTATES NO.3

WORK ORDER NO: 920325
DESIGN BY: D.PETERS
DATE: 7/92
SCALE: 1" = 40'
SHEET 5 OF 11 SHEETS
CADFILE SUMP3.DWG

10-14-16 107Y-4158-3