

DATE: 7/16/92  
DWG. NO. 235  
SHEET 1 OF 4

NOTES:  
1. SIDEWALK RAMP WITH CURB RETURN SHALL BE LOCATED AT THE MIDPOINT OF CURB RETURN UNLESS OTHERWISE APPROVED.  
2. SIDEWALK RAMP'S OUTSIDE OF THE CURB RETURN SHALL BE LOCATED ADJACENT TO THE RETURN.  
3. RAMPS SHALL BE CONSTRUCTED WITH A ROUGH BROOK FINISH TRANSVERSE TO THE SLOPE OF THE RAMP.  
4. WHEN CONSTRUCTING RAMP WHERE CURB & GUTTER EXIST, COMPLETELY REMOVE INTERFERING PORTIONS OF EXISTING CURB & GUTTER.  
5. AN OPTIONAL DELECTABLE WARNING CONSISTING OF RAISED INDICATED DOMES WITH A DIAMETER OF NOMINAL 8.0 IN. A HEIGHT OF NOMINAL 0.2 IN. AND A CENTER-TO-CENTER SPACING OF NOMINAL 2.35 IN. AND CONTRASTING VISUALLY WITH ADJACENT SURFACES MAY BE PLACED ON RAMP EXTENDING THE FULL WIDTH AND DEPTH OF THE RAMP.

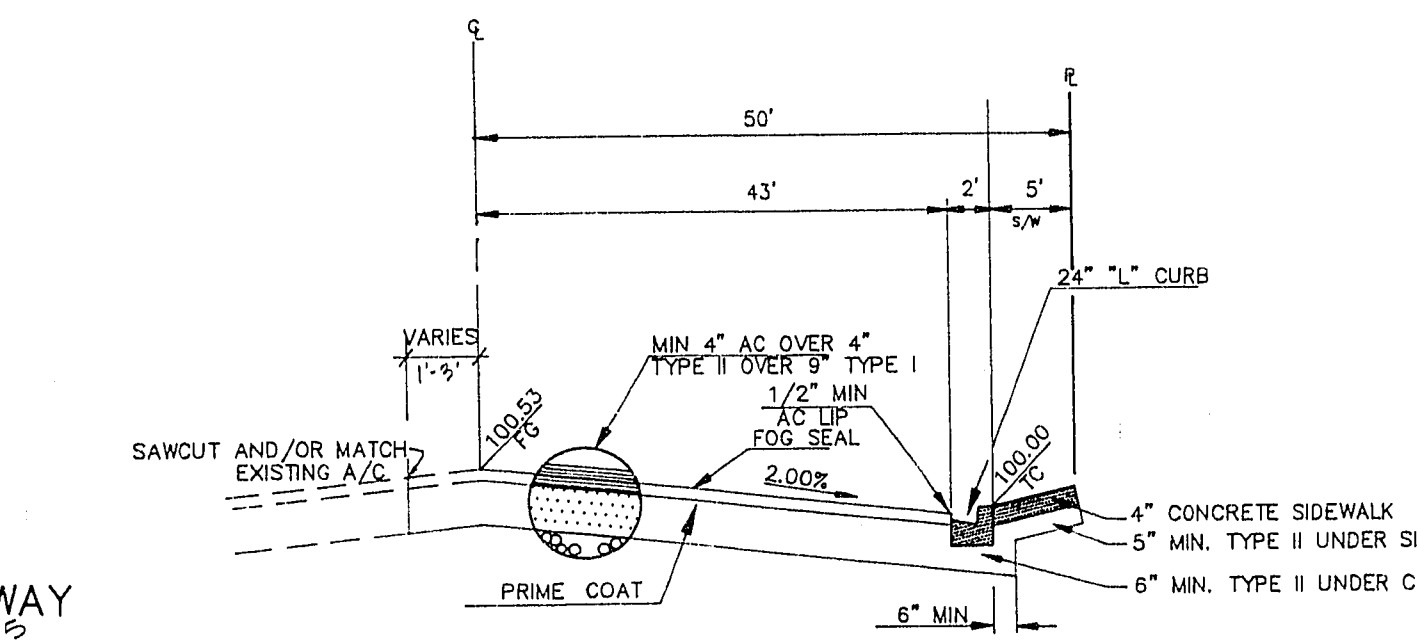
GRADE (A)	"A" (F)	"B" (F)
6.10 to 5.01	4.5	21.5
5.10 to 4.01	4.5	15.0
4.10 to 3.01	4.5	12.0
3.10 to 2.01	4.5	9.5
2.10 to 1.01	6.0	8.0
1.01 to 0.01	9.5	4.5
0.01 to 0.00	12.0	4.5
0.01 to 0.00	15.0	4.5
0.01 to 0.00	21.5	4.5

TABLE 1. TRANSITION LENGTHS FOR 1:12 SIDE SLOPES

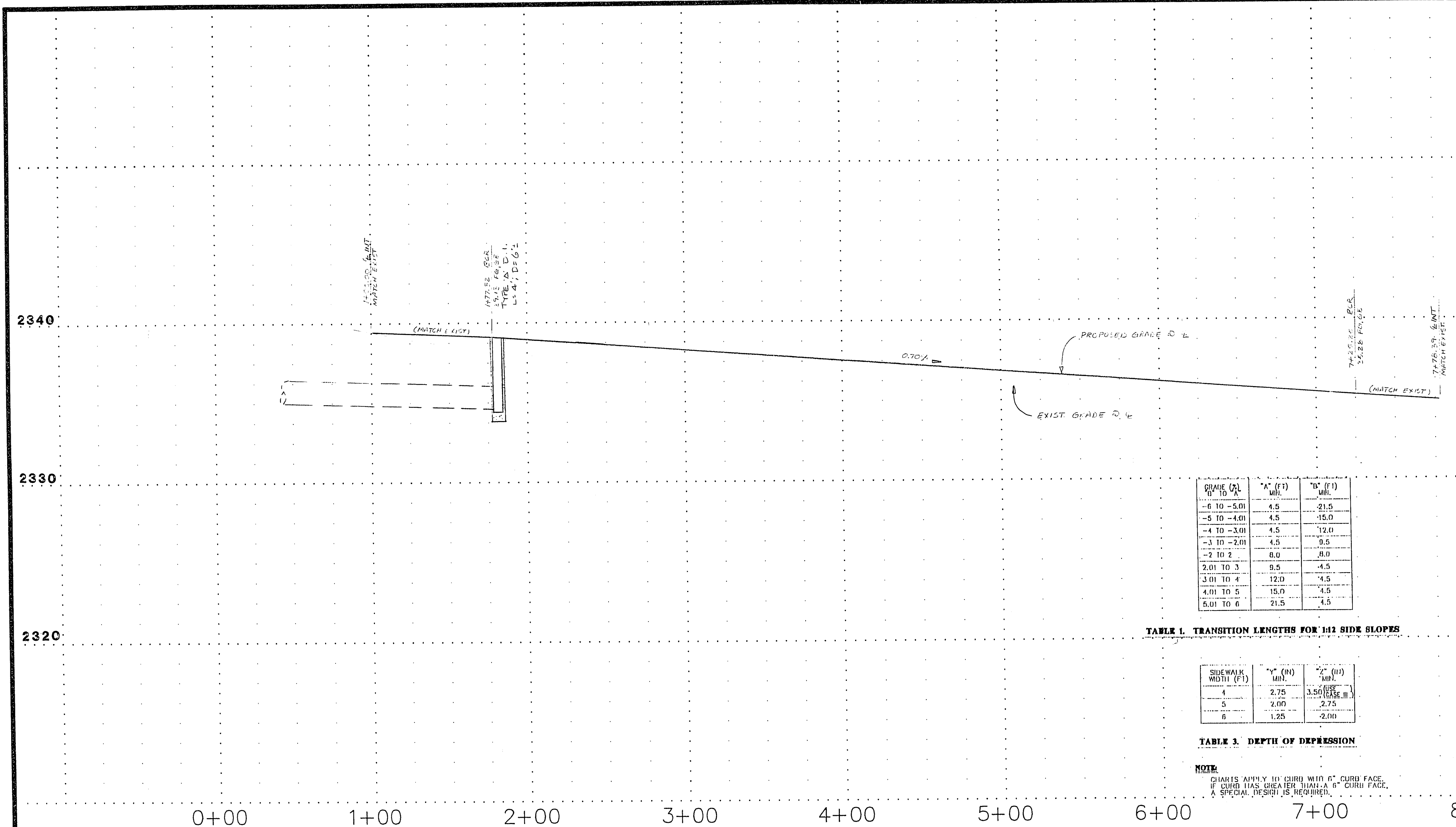
SIDEWALK WIDTH (F)	"A" (IN)	"B" (IN)
4	2.75	3.50 (CASE III)
5	2.00	2.75
6	1.25	2.00

TABLE 3. DEPTH OF DEPRESSION

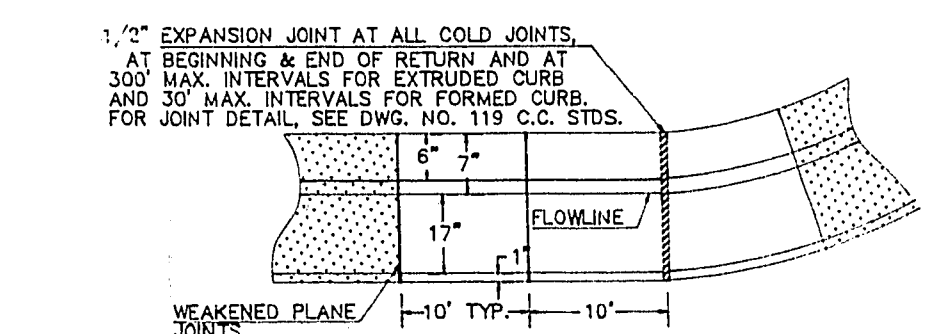
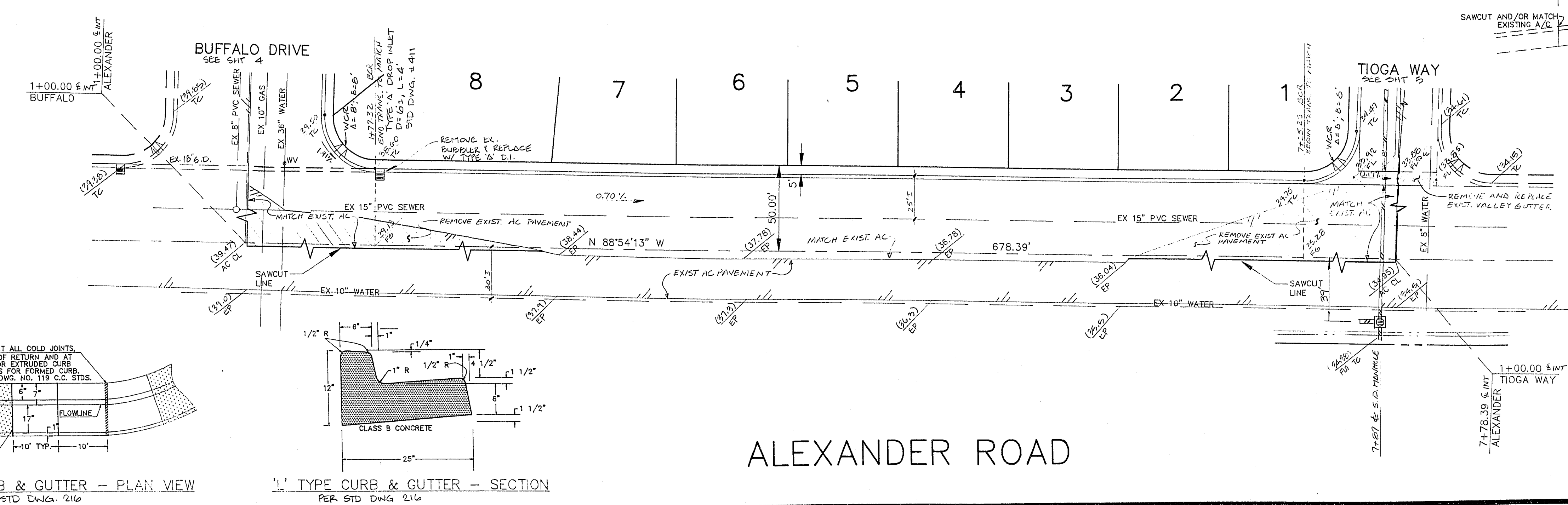
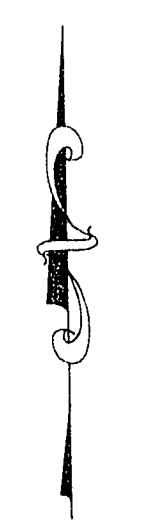
NOTE:  
CHARTS APPLY TO CURB WITH 6" CURB FACE. IF CURB HAS GREATER THAN A 6" CURB FACE, A SPECIAL DESIGN IS REQUIRED.



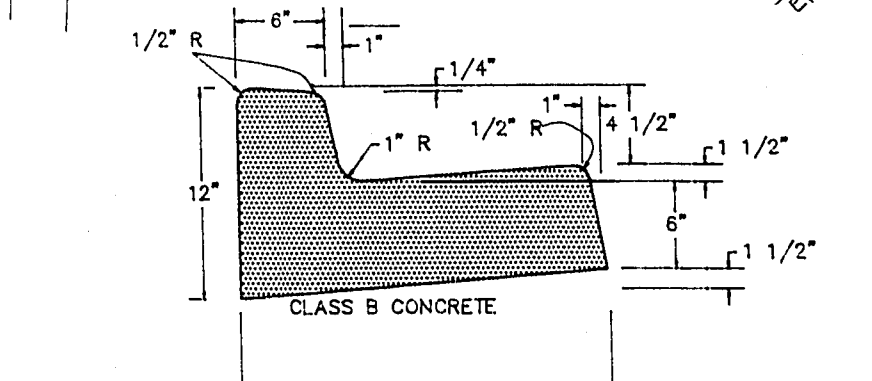
50' HALF STREET SECTION  
ALEXANDER ROAD  
PER STD DWG. 203



HOR: 1" = 40'  
VER: 1" = 4'



"L" TYPE CURB & GUTTER - PLAN VIEW  
PER STD DWG. 216



"L" TYPE CURB & GUTTER - SECTION  
PER STD DWG. 216

ALEXANDER ROAD

REVISION DESCRIPTION

NO.	DATE	BY	APP.

DATE: 7/16/92

**SOUTHWEST ENGINEERING**  
LAND PLANNING/MAPPING/DEVELOPMENT  
3466 WEST VANDERBILT DRIVE  
DALLAS, TEXAS 75247  
TEL: 646-9700

TITLE: STREET PLAN & PROFILE  
ALEXANDER ROAD

PROJECT: SUMMERCREST ESTATES NO.3

WORK ORDER NO: 920325

DESIGN BY: D.PETERS

DATE: 7/92

SCALE: 1" = 40'

SHEET 3 OF 11 SHEETS

CADFILE: SUNPPL1.DWG

NOTICE!  
EXISTING UTILITIES ARE LOCATED ON THE PLANS FOR THE CONVENIENCE OF THE CONTRACTOR ONLY. THE ENGINEER BEARS NO RESPONSIBILITY FOR THE LOCATION OF UTILITIES SHOWN OR NOT SHOWN ON THE PLANS. THE CONTRACTOR SHALL NOTIFY ALL UTILITY COMPANIES BEFORE STARTING CONSTRUCTION AND IT SHALL BE THE RESPONSIBILITY OF THE CONTRACTOR TO VERIFY THE LOCATION OF ALL UTILITIES WITH THE UTILITY COMPANIES.

CALL BEFORE YOU Dig  
1-800-227-2600  
UNDERGROUND SERVICE DATA

10-14-14 107Y-4158-3